

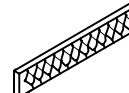
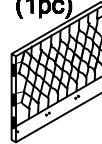
# ASSEMBLY INSTRUCTIONS **meridian.** furniture

## SAVAN BED - KING

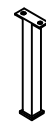
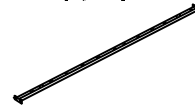


### + Parts Included

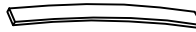
- ① Head Board (1pc)      ② Foot Board (1pc)      ③ Side Rails (2pcs)



- ④ Double Plastic cap (30pcs)      ⑤ Center Support Bar (2pcs)      ⑥ Support Legs (4pcs)

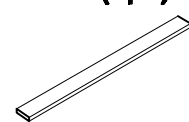


- ⑦ Slats (45pcs)      ⑧ Single Plastic cap (30pcs)      ⑨ Legs (4pcs)



\*Slats come packed in the bottom of headboard carton.

- ⑩ Left wing (1pc)      ⑪ Right wing (1pc)      ⑫ Slats (1pc)



### + Hardware Included

- A Bolt M8\*30mm (24pcs)      B Bolt M8\*75mm (6pcs)      C Bolt M6\*25mm (8pcs)



- D Spring Washer (8pcs)      E Flat Washer  $\phi 20$  (32pcs)      F M8 Allen Key (1pc)



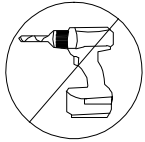
- G Flat Washer  $\phi 22$  (6pcs)      H M4 Allen Key (1pc)      I Nut M8\*13mm (8pcs)



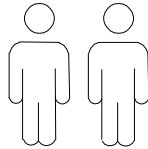
- J Spanner (1pc)      K Tapping screw M4\*35mm (2pcs)



### + Do Not Use Power Tools



### + Suggested Adults



**NOTE:** For questions about parts or assembly please email [support@meridianfurnitureusa.com](mailto:support@meridianfurnitureusa.com) or call us at 718-758-4455.

- 1 Read instructions cover to cover.
- 2 Save all packaging until assembly is completed.

### 1 IMPORTANT SAFETY INFORMATION

Do not assemble the product if any of the following parts arrived damaged:

- Part #③ -Side Rails
- Part #⑤ -Center Support Bar
- Part #⑥ -Support Legs
- Part #⑦ -Slats

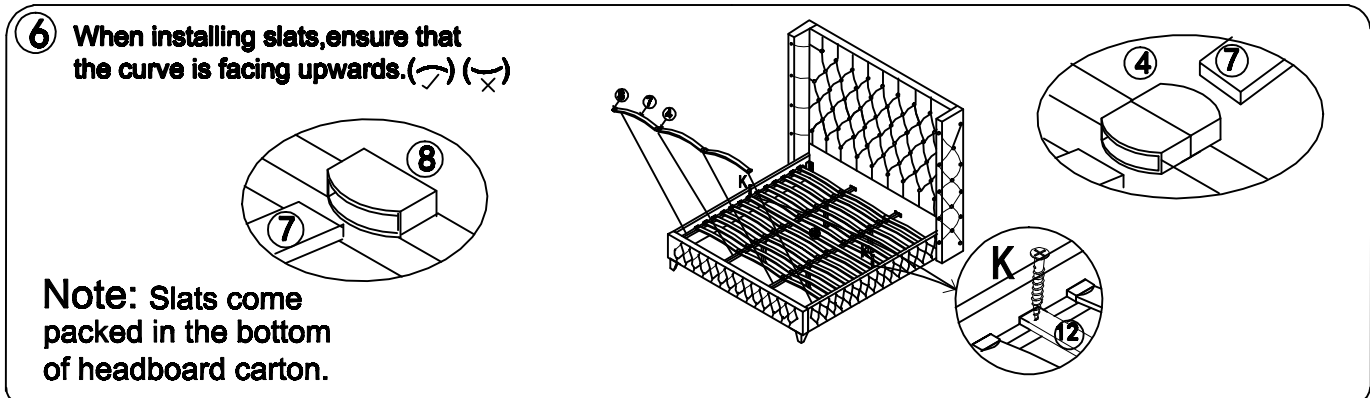
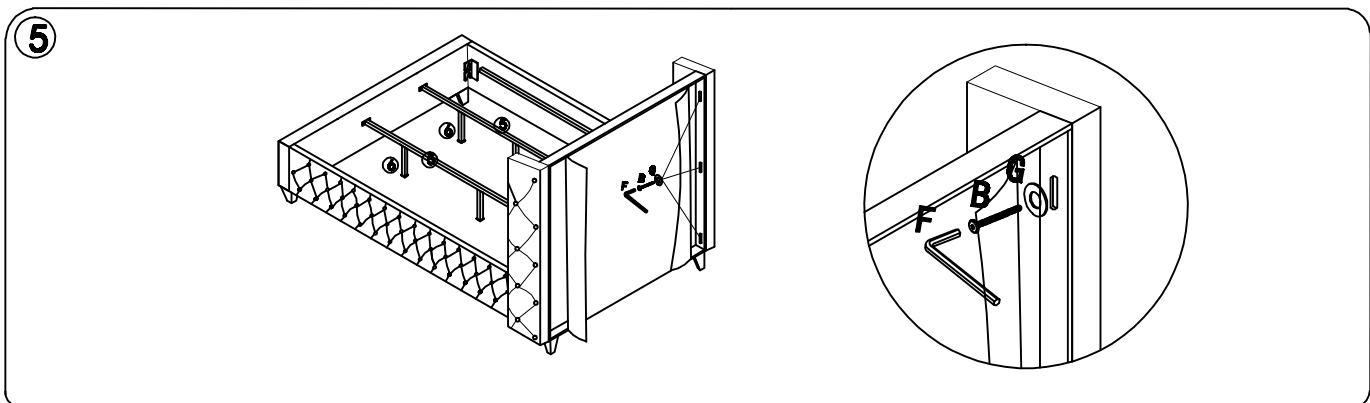
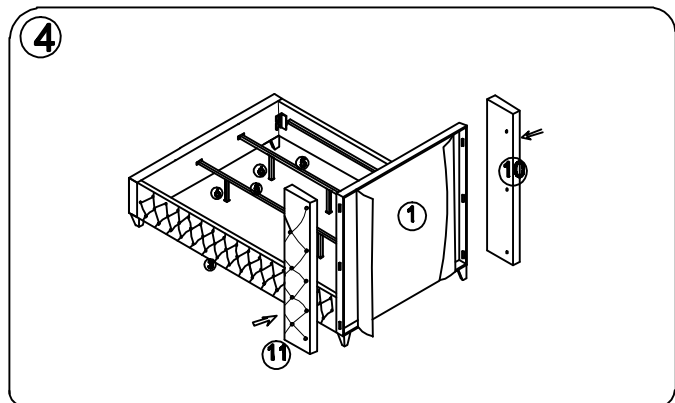
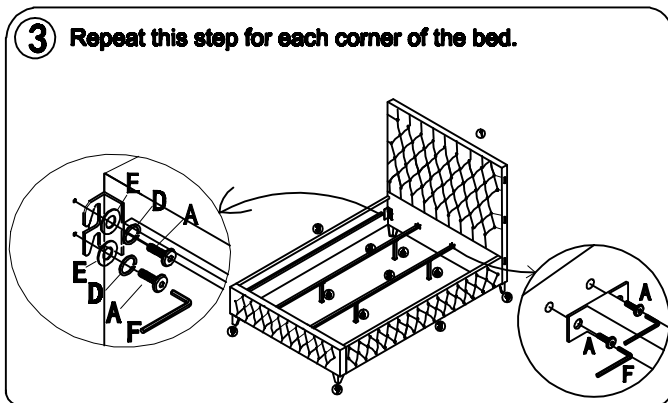
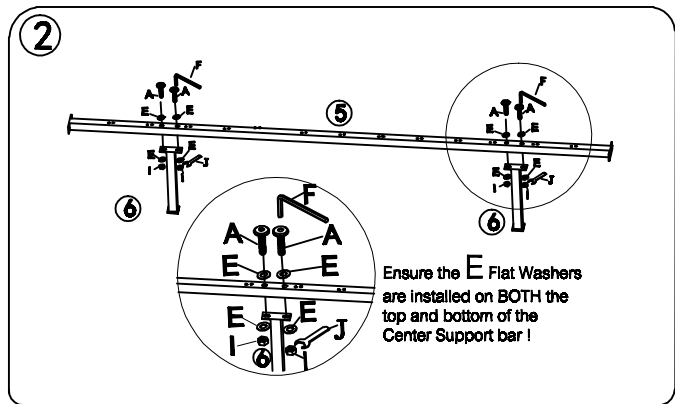
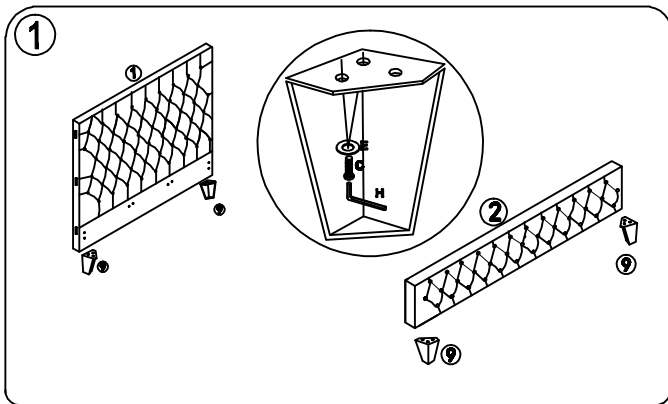
### 2 IMPORTANT ASSEMBLY INFORMATION

**Assembly Step ③** Ensure the side rail bracket is fully hooked onto bolt A loosely threaded with both washers on the OUTSIDE of the bracket first, then proceed to fully tightening all 4 corners.

**Assembly Step ⑥** When installing slats, ensure that the curve is facing upwards. (→) (↘)  
\*Slats come packed in the bottom of headboard carton.

# ASSEMBLY INSTRUCTIONS **meridian.** furniture

## SAVAN BED - KING



**NOTE:** For questions about parts or assembly please email [support@meridianfurnitureusa.com](mailto:support@meridianfurnitureusa.com) or call us at 718-758-4455.  
[www.MeridianFurnitureUSA.com](http://www.MeridianFurnitureUSA.com) | [support@meridianfurnitureusa.com](mailto:support@meridianfurnitureusa.com)