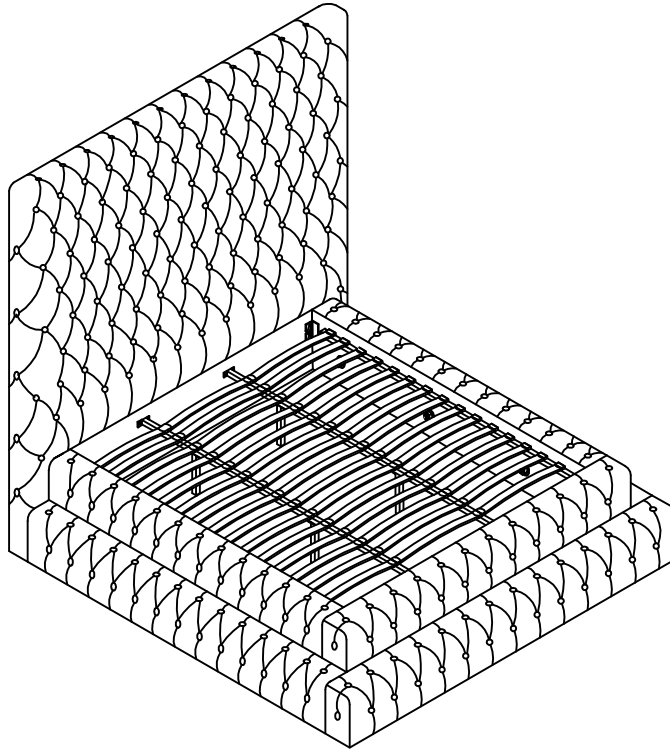
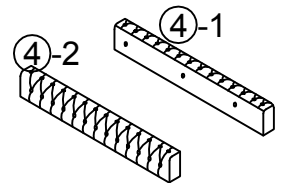
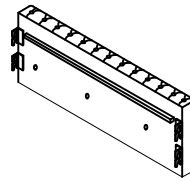
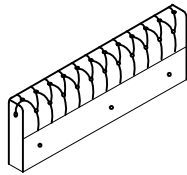
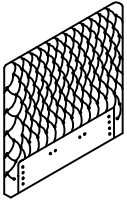


K

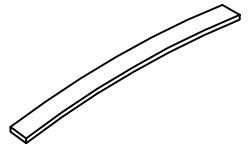
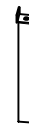
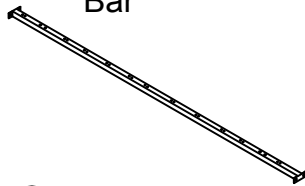
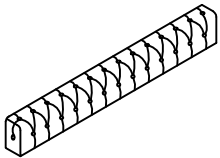


PARTS LIST

- ①-Head Board(1pc) ②-Inside Foot Board (1pc) ③-Inside Side Rails (2pcs) ④-outside Side

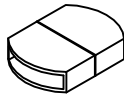


- ⑤-outside Foot Board (1pc) ⑥-Center Support(2pcs) Bar ⑦-Support Legs(4pcs) ⑧-Slats(45pcs)



- ⑨-Single Plastic cap (30pcs)

- ⑩-Double Plastic cap (30pcs)



HARDWARE LIST

A Bolt M8*30mm 12pcs



B Bolt M8*200mm 9pcs



C Spring Washer 16pcs



D Flat Washer $\phi 20$ 20pcs



E M8 Allen Key 1pc



F Spanner 1pc



G Flat Washer $\phi 30$ 9pcs



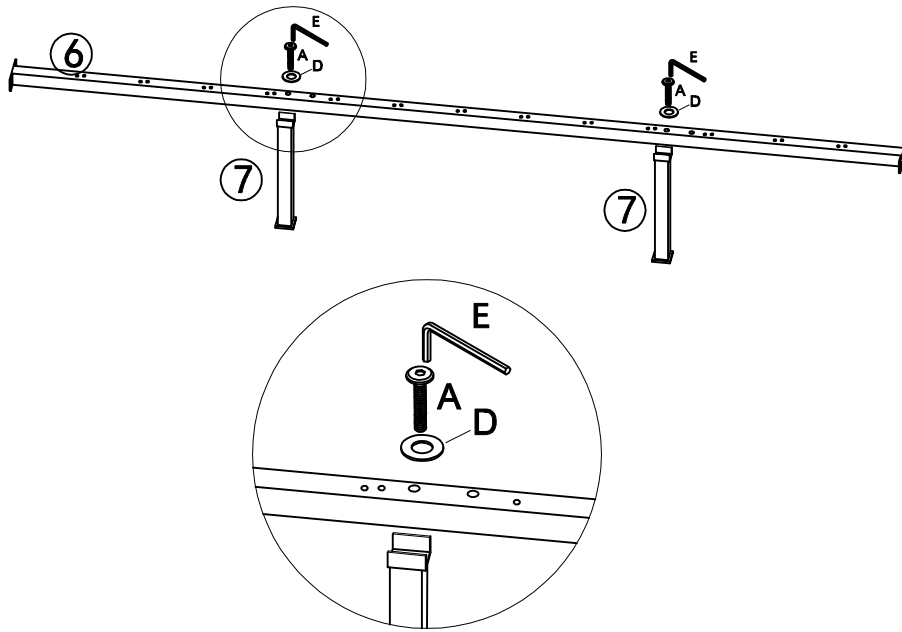
H Nut M8*13mm 9pcs



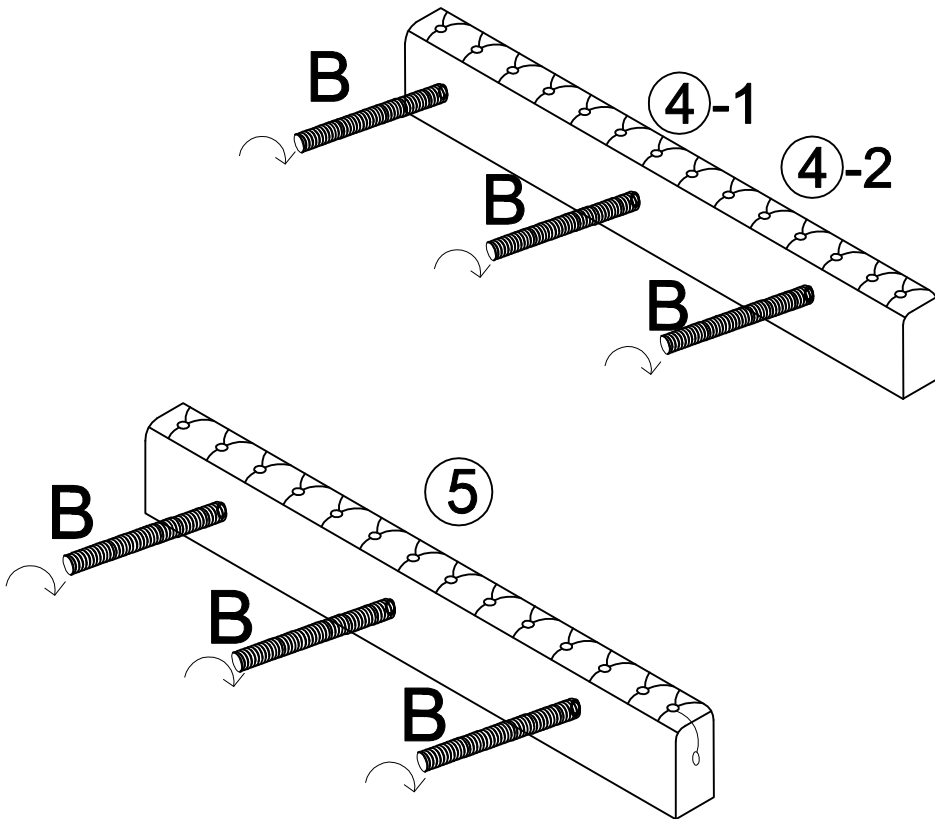
I Bolt M8*40mm 16pcs



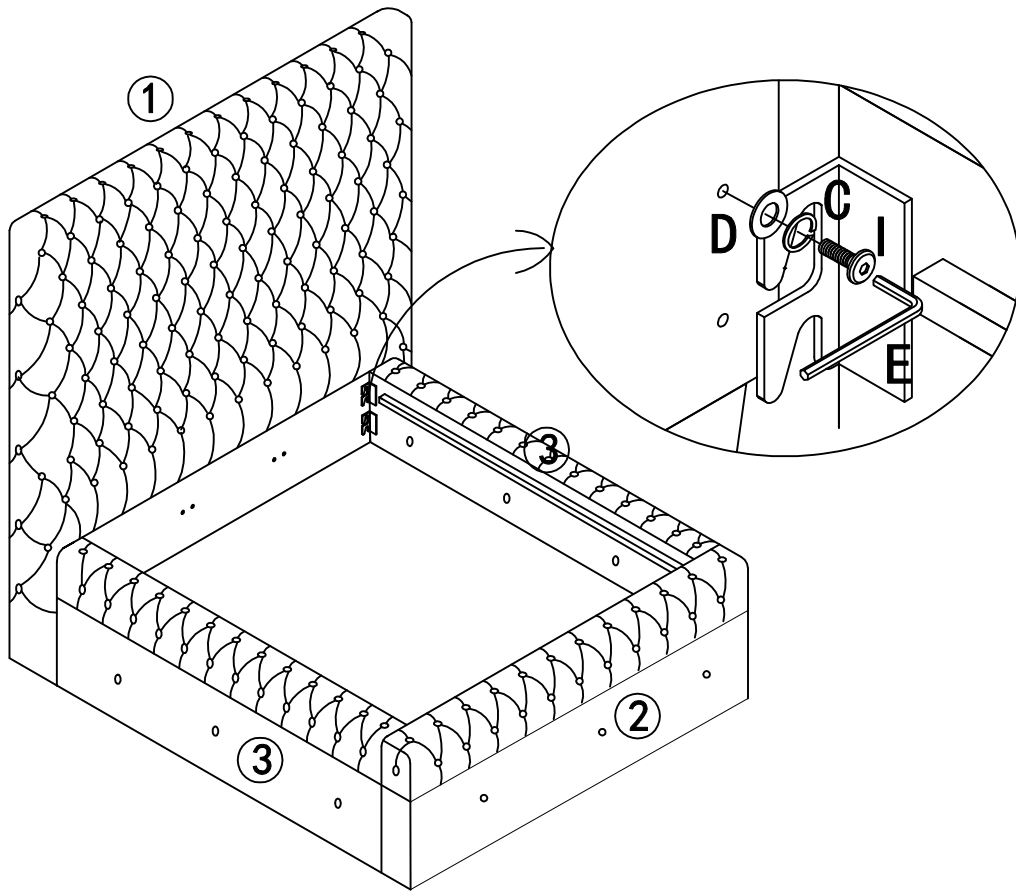
STEP 1:



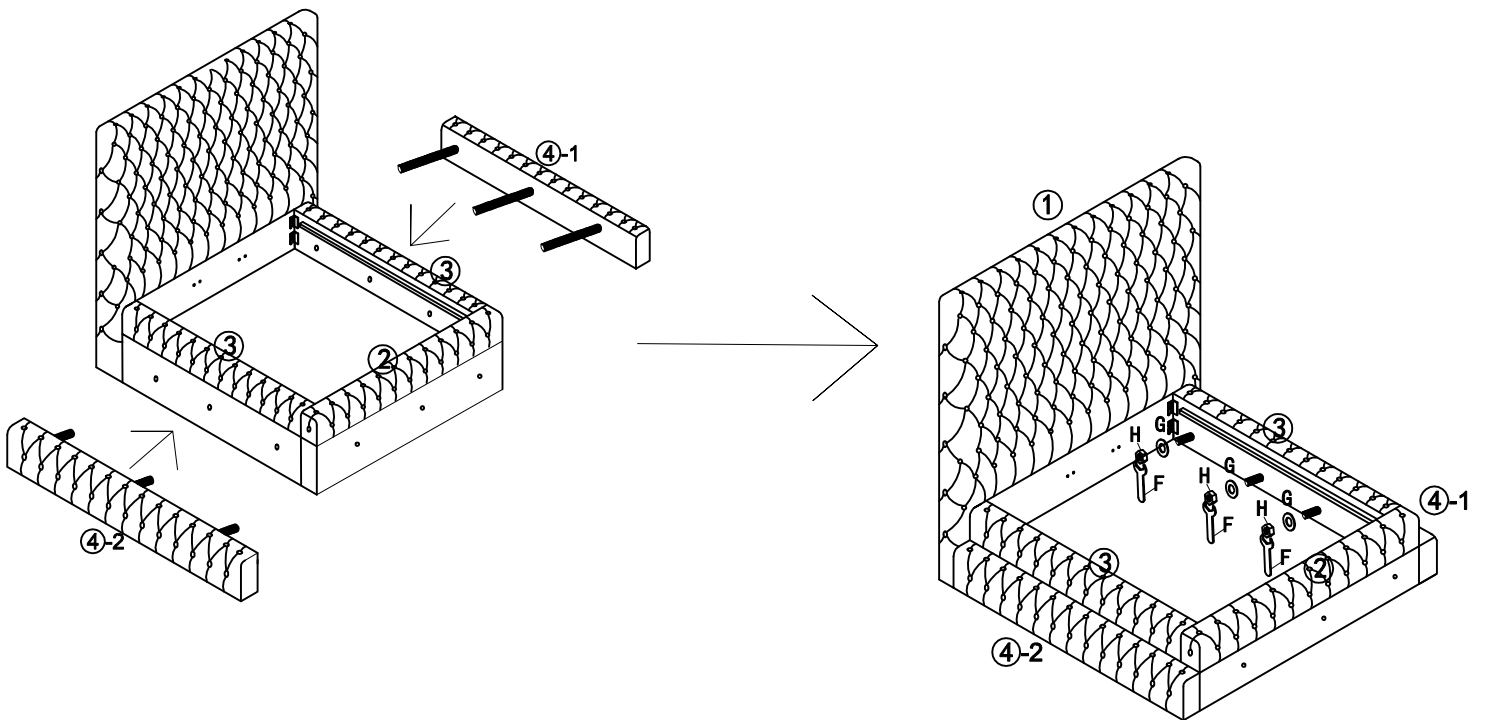
STEP 2:



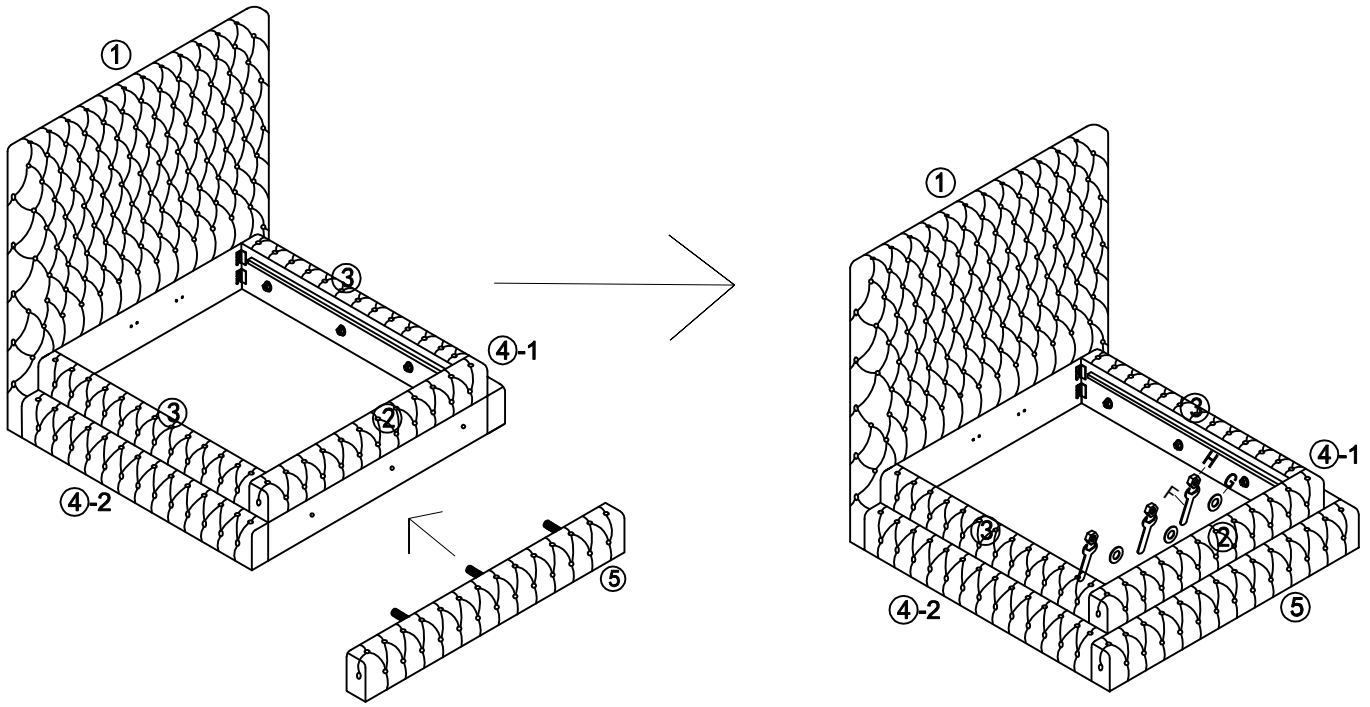
STEP 3:



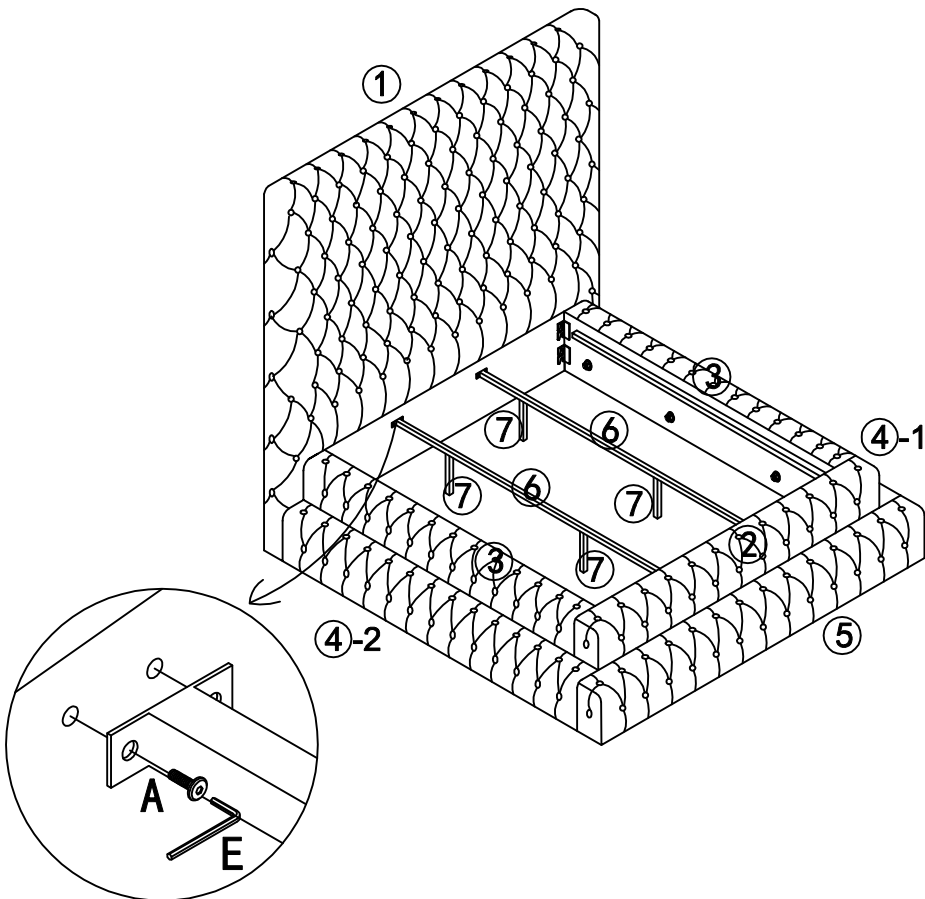
STEP 4:



STEP 5:



STEP 6:



STEP 7:

