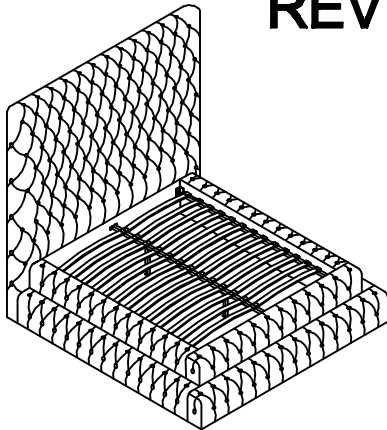


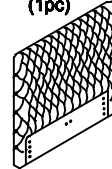
# ASSEMBLY INSTRUCTIONS REVEL BED - QUEEN

**meridian.**  
furniture

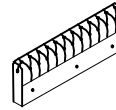


## + Parts Included

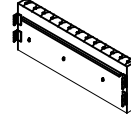
① Head Board (1pc)



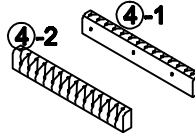
② Inside Foot Board (1pc)



③ Inside Side Rails (2pcs)



④ Outside Side Rails (2pcs)



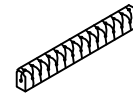
⑤ Center Support Bar (1pc)



⑥ Support Legs (2pcs)



⑦ Outside Foot Board (1pc)



⑧ Double Plastic cap (15pcs)



⑨ Single Plastic cap (30pcs)

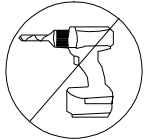


⑩ Slats (30pcs)

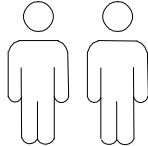


\*Slats come packed in the bottom of headboard carton.

## + Do Not Use Power Tools



## + Suggested Adults



**NOTE:** For questions about parts or assembly please email [support@meridianfurnitureusa.com](mailto:support@meridianfurnitureusa.com) or call us at 718-758-4455.

- 1 Read instructions cover to cover.
- 2 Save all packaging until assembly is completed.

## 1 IMPORTANT SAFETY INFORMATION

Do not assemble the product if any of the following parts arrived damaged:

- Part # ③/④ - Side Rails
- Part # ⑤ - Center Support Bar
- Part # ⑥ - Support Legs
- Part # ⑩ - Slats

## 2 IMPORTANT ASSEMBLY INFORMATION

Assembly Step ③ Ensure the side rail bracket is fully hooked onto bolt C loosely threaded with both washers on the OUTSIDE of the bracket first, then proceed to fully tightening all 4 corners.

Assembly Step ⑩ When installing slats, ensure that the curve is facing upwards. (→) (↘)  
\*Slats come packed in the bottom of headboard carton.

## + Hardware Included

A Bolt M8\*30mm ( 8pcs)



B Bolt M8\*200mm ( 9pcs)



C Bolt M8\*40mm ( 16pcs)



D Spring Washer (16pcs)



E Flat Washer  $\phi$ 20 (24pcs)



F M8 Allen Key ( 1pc)



G Flat Washer  $\phi$ 22 (9pcs)



I Nut M8\*13mm (13pcs)

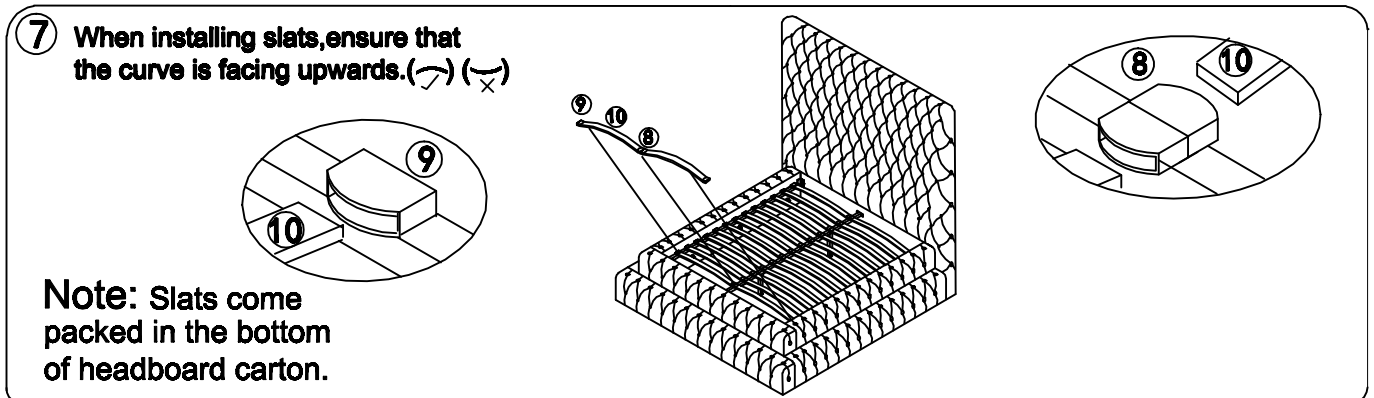
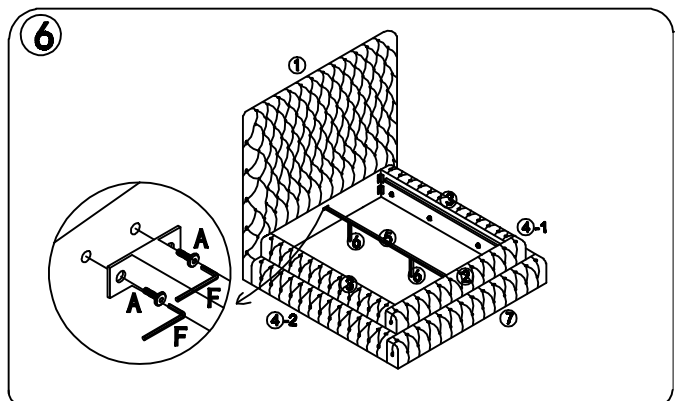
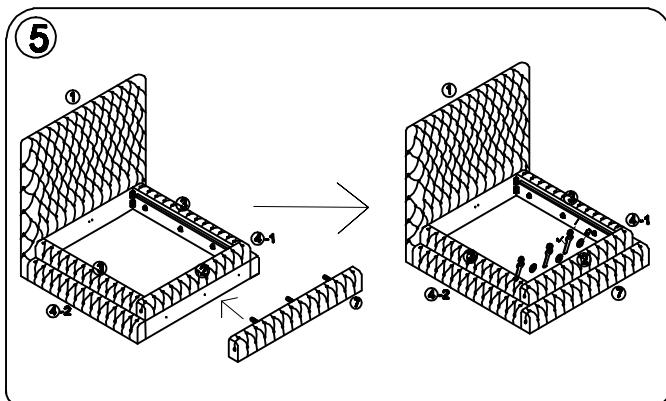
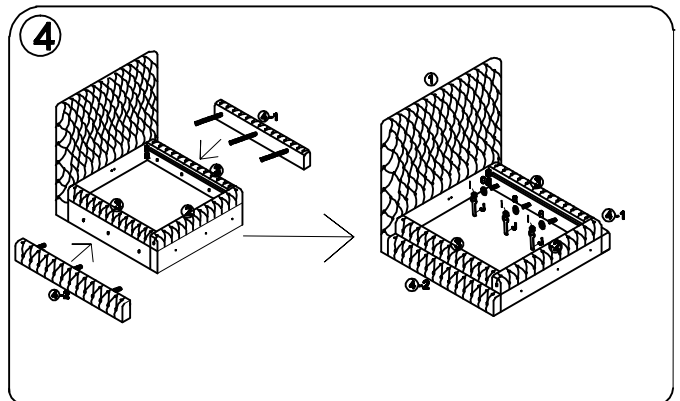
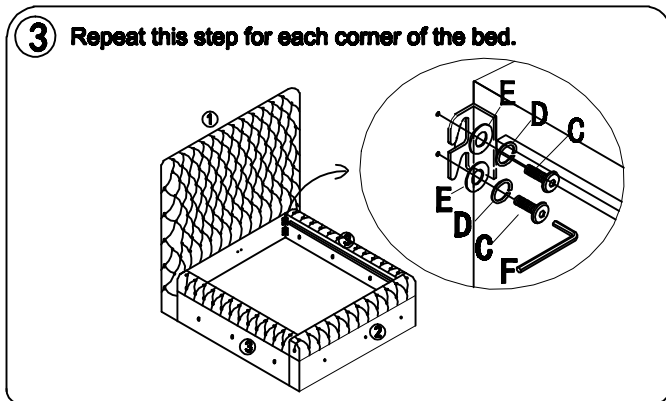
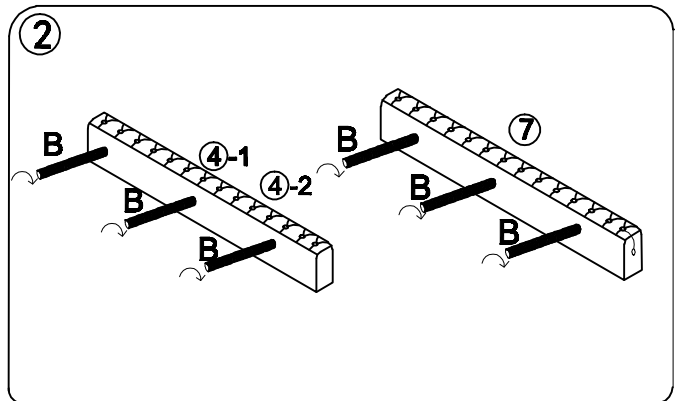
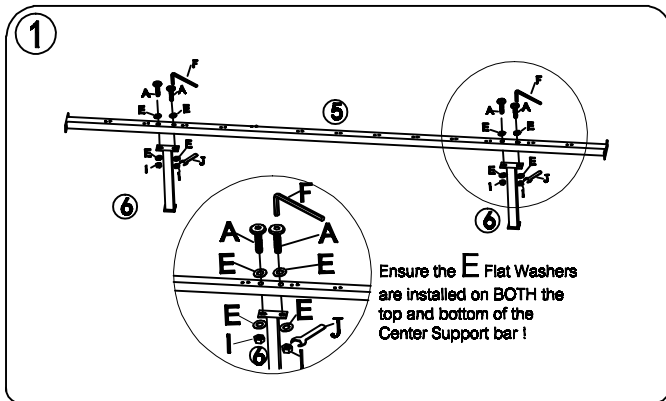


J Spanner ( 1pc)



# ASSEMBLY INSTRUCTIONS REVEL BED - QUEEN

**meridian.**  
furniture



**NOTE:** For questions about parts or assembly please email [support@meridianfurnitureusa.com](mailto:support@meridianfurnitureusa.com) or call us at 718-758-4455.

[www.MeridianFurnitureUSA.com](http://www.MeridianFurnitureUSA.com) | [support@meridianfurnitureusa.com](mailto:support@meridianfurnitureusa.com)