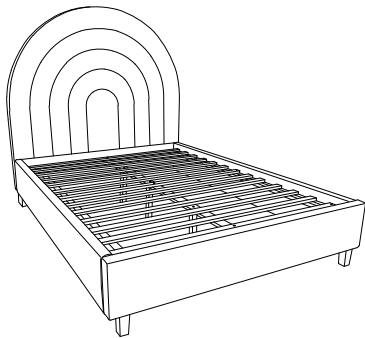


# ASSEMBLY INSTRUCTIONS

## RAINBOW - FULL

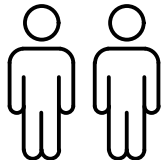
**meridian.**  
furniture



### + Do Not Use Power Tools



### + Suggested Adults



**NOTE:** For questions about parts or assembly please email [support@meridianfurnitureusa.com](mailto:support@meridianfurnitureusa.com) or call us at 718-758-4455.

- 1 Read instructions cover to cover.
- 2 Save all packaging until assembly is completed.

### 1 IMPORTANT SAFETY INFORMATION

**Do not** assemble the product if any of the following parts arrived damaged:

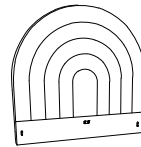
1. Headboard Panel
2. Footboard Panel
3. Side Rail
4. Leg
5. Slats(13pcs)
6. Slat Support
7. Support Leg

### 2 IMPORTANT ASSEMBLY INFORMATION

**Assembly Step** Ensure the side rail bracket is fully hooked onto bolt loosely threaded with both washers on the **OUTSIDE** of the bracket first, then proceed to fully tightening all 4 corners.

### + Parts Included

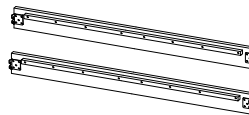
① Headboard Panel (1 pc)



② Footboard Panel (1 pc)



③ Side Rail (2 pcs)



④ Leg (4 pcs)



⑤ Slats(13pcs) (1 pc)



⑥ Slat Support (1 pc)



⑦ Support Leg (3 pcs)



### + Hardware Included

A. Allen Key M4 (1 pc)



B. Allen Key M5 (1 pc)



C. JCBB Bolt M8 x 16mm (8 pcs)



D. JCBC Bolt M6 x 35mm (6 pcs)



E. CBS Screw M4 x 16mm (4 pcs)



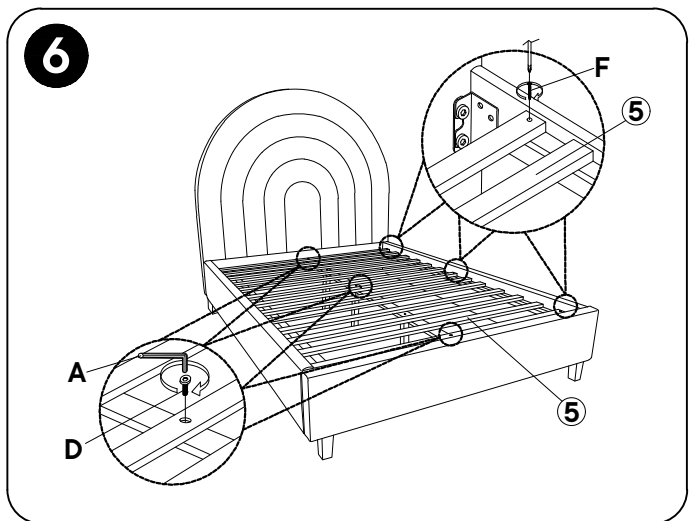
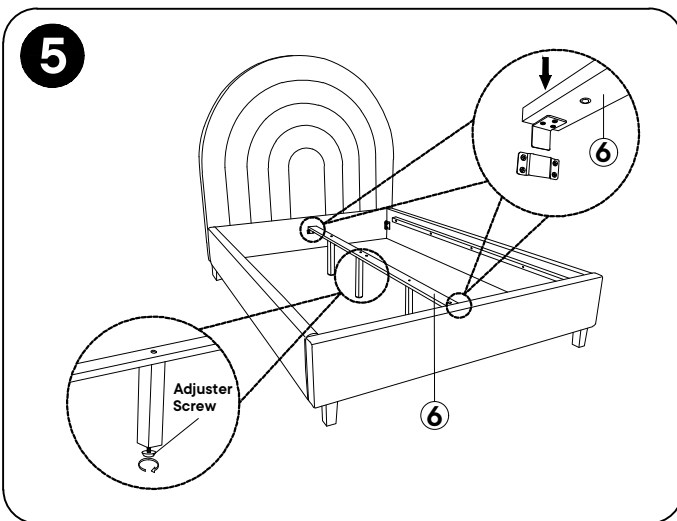
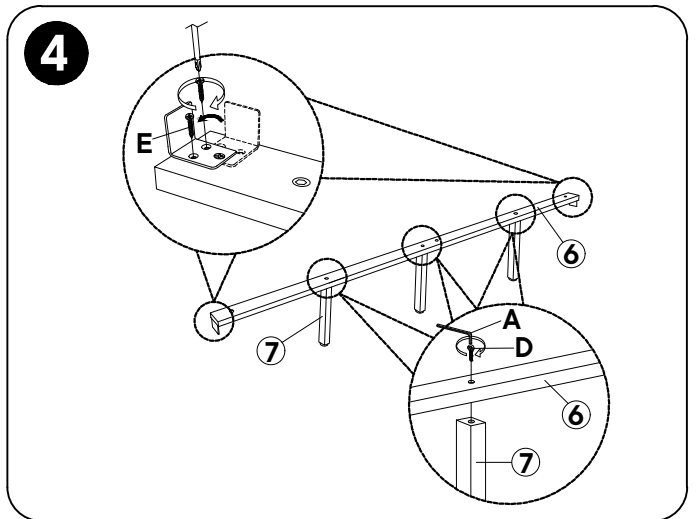
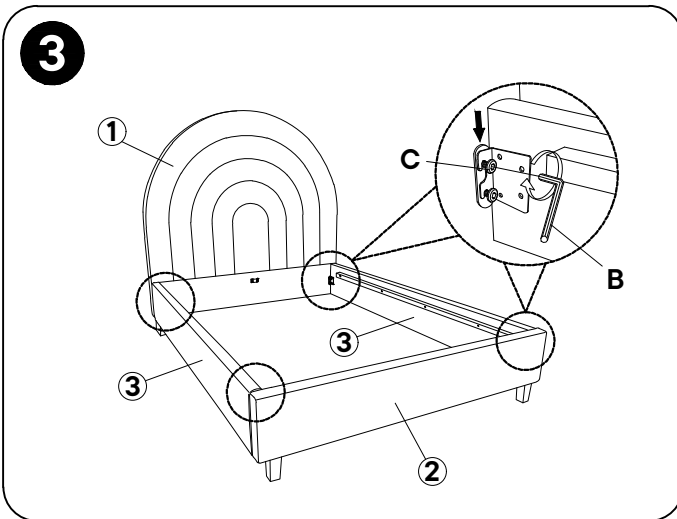
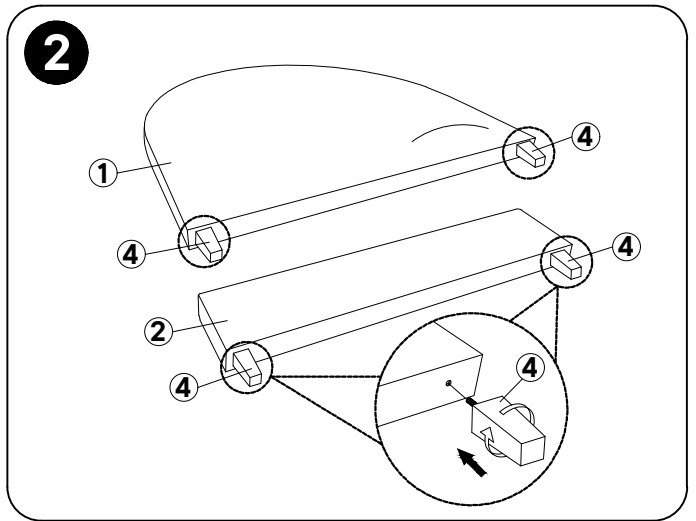
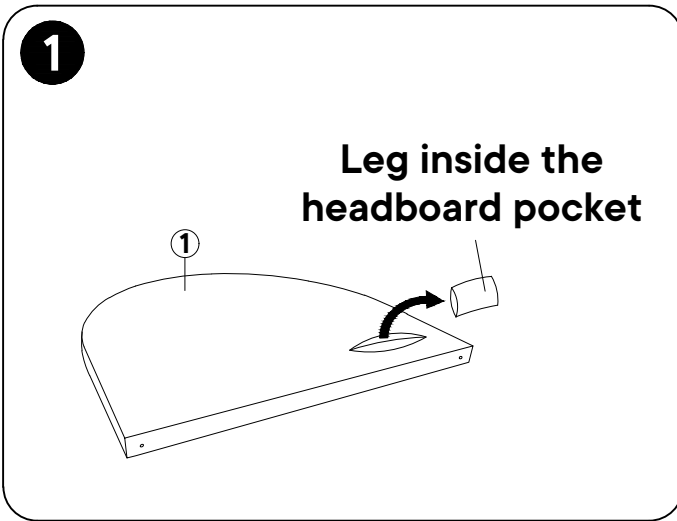
F. CBS Screw M4 x 32mm (6 pcs)



# ASSEMBLY INSTRUCTIONS

## RAINBOW - FULL

**meridian.**  
furniture



**NOTE:** For questions about parts or assembly please email [support@meridianfurnitureusa.com](mailto:support@meridianfurnitureusa.com) or call us at 718-758-4455  
[www.MeridianFurnitureUSA.com](http://www.MeridianFurnitureUSA.com) | [support@meridianfurnitureusa.com](mailto:support@meridianfurnitureusa.com)