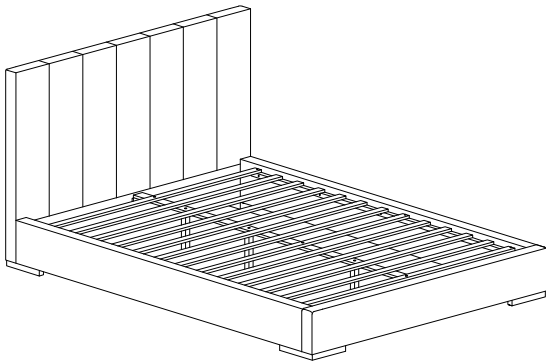


ASSEMBLY INSTRUCTIONS

PIERCE - FULL

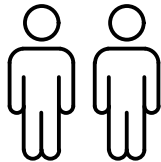
meridian.
furniture



+ Do Not Use Power Tools



+ Suggested Adults



NOTE: For questions about parts or assembly please email support@meridianfurnitureusa.com or call us at 718-758-4455.

- 1 Read instructions cover to cover.
- 2 Save all packaging until assembly is completed.

1 IMPORTANT SAFETY INFORMATION

Do not assemble the product if any of the following parts arrived damaged:

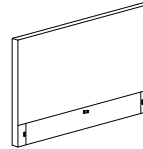
1. Headboard Panel
2. Footboard Panel
3. Side Rail
4. Gold Leg
5. Silver Leg
6. Slats(13pcs)
7. Slat Support
8. Support Leg

2 IMPORTANT ASSEMBLY INFORMATION

Assembly Step Ensure the side rail bracket is fully hooked onto bolt loosely threaded with both washers on the **OUTSIDE** of the bracket first, then proceed to fully tightening all 4 corners.

+ Parts Included

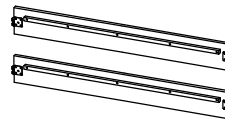
① Headboard Panel (1 pc)



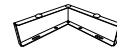
② Footboard Panel (1 pc)



③ Side Rail (2 pcs)



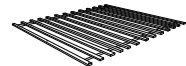
④ Gold Leg (4 pcs)



⑤ Silver Leg (4 pcs)



⑥ Slats(13pcs) (1 pc)



⑦ Slat Support (1 pc)



⑧ Support Leg (3 pcs)



+ Hardware Included

A Allen Key M4 (1 pc)



B Allen Key M5 (1 pc)



C JCBB Bolt M8 x 16mm (8 pcs)



D JCBC Bolt M6 x 15mm (16 pcs)



E JCBC Bolt M6 x 35mm (6 pcs)



F CBS Screw M4 x 16mm (4 pcs)



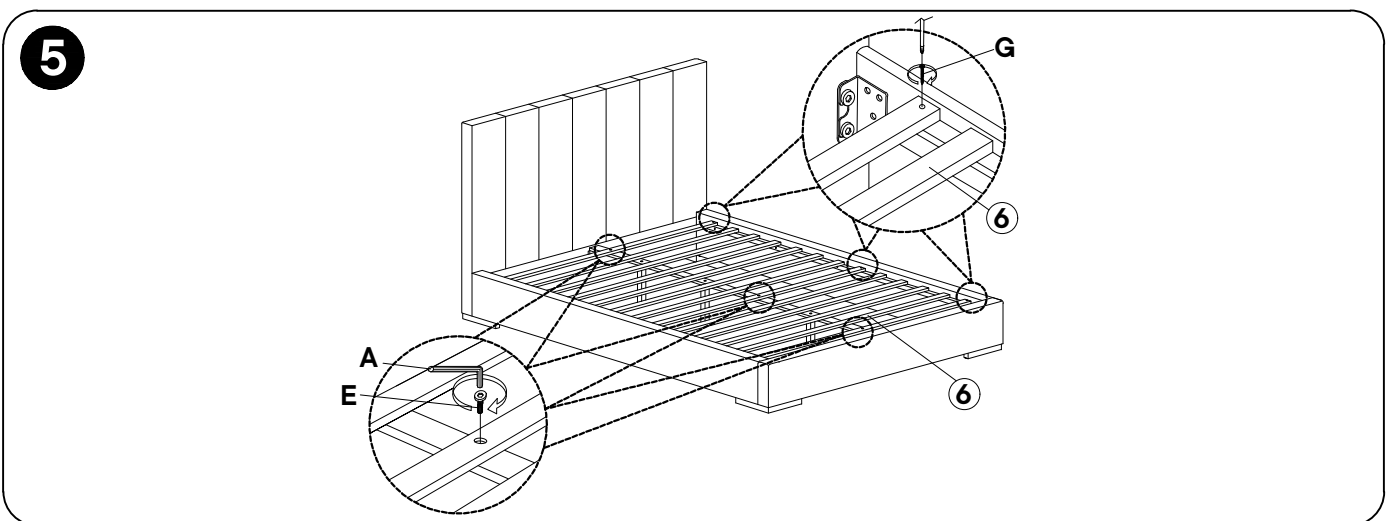
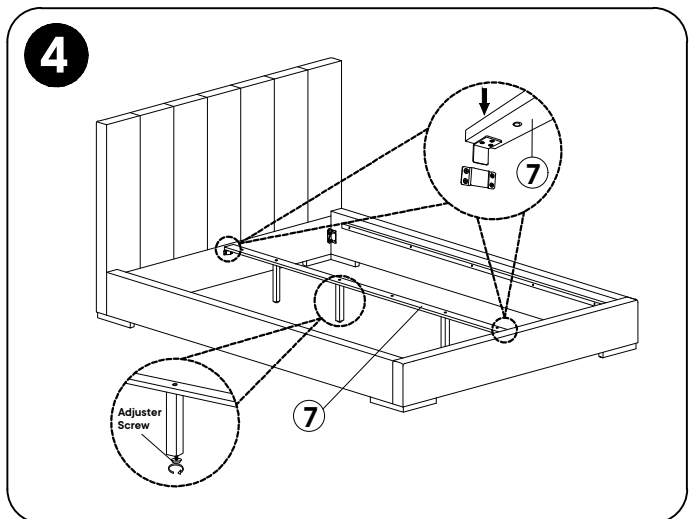
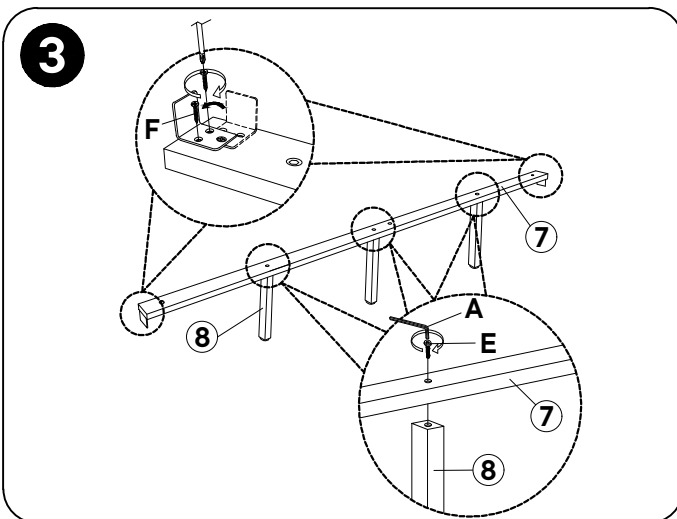
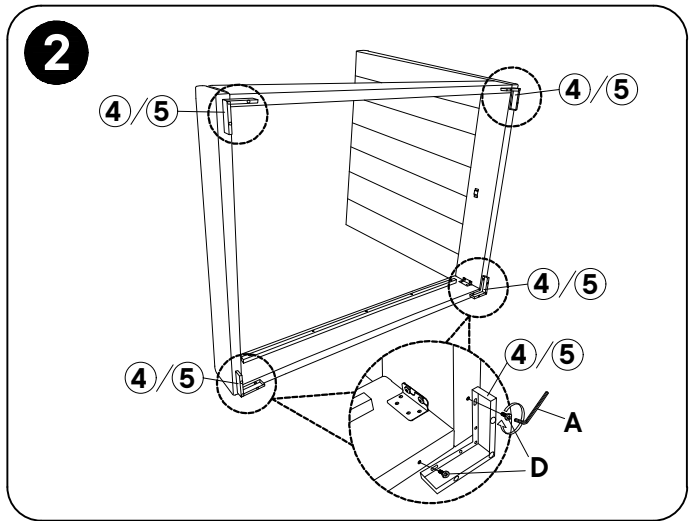
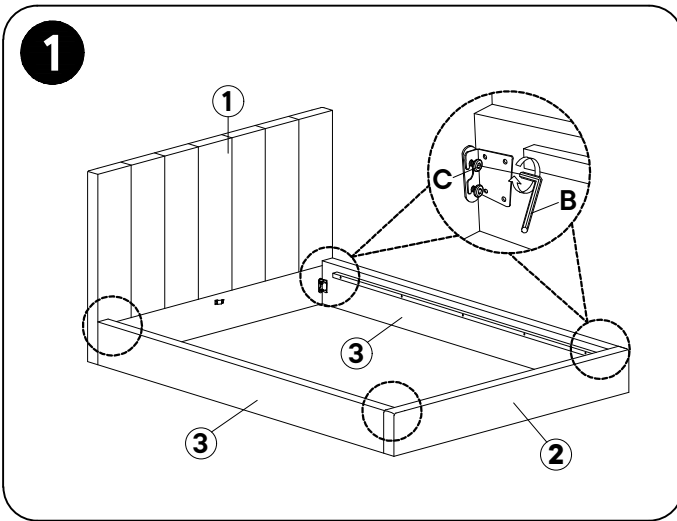
G CBS Screw M4 x 32mm (6 pcs)



ASSEMBLY INSTRUCTIONS

PIERCE - FULL

meridian.
furniture



NOTE: For questions about parts or assembly please email support@meridianfurnitureusa.com or call us at 718-758-4455
www.MeridianFurnitureUSA.com | support@meridianfurnitureusa.com