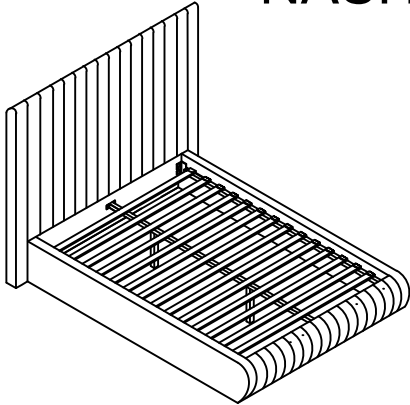


ASSEMBLY INSTRUCTIONS

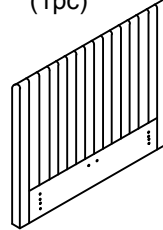
NASH BED - FULL

meridian.
furniture

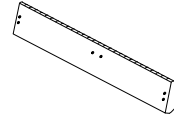


+ Parts Included

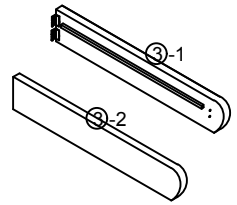
① Head Board (1pc)



② Foot Board (1pc)



③ Side Rails (2pcs)



④ Center Support Bar (1pc)



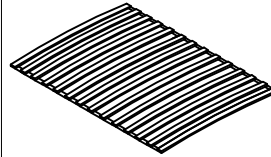
⑤ Support Legs (2pcs)



⑥ Bracket (2pcs)



⑦ Slats joint (1set=13pcs)

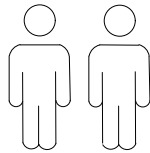


*Slats come packed in the bottom of headboard carton.

+ Do Not Use Power Tools



+ Suggested Adults



NOTE: For questions about parts or assembly please email support@meridianfurnitureusa.com or call us at 718-758-4455.

- 1 Read instructions cover to cover.
- 2 Save all packaging until assembly is completed.

1 IMPORTANT SAFETY INFORMATION

Do not assemble the product if any of the following parts arrived damaged:

- Part #③ -Side Rails
- Part #④ -Center Support Bar
- Part #⑤ -Support Legs
- Part #⑦ -Slats joint

2 IMPORTANT ASSEMBLY INFORMATION

Assembly Step ② Ensure the side rail bracket is fully hooked onto bolt **A** loosely threaded with both washers on the **OUTSIDE** of the bracket first, then proceed to fully tightening all 4 corners.

*Slats come packed in the bottom of headboard carton.

+ Hardware Included

A Bolt M8*40mm (24pcs)



B Spring Washer (16pcs)



C Flat Washer $\varnothing 20$ (24pcs)



D M8 Allen Key (1pc)



E Nut M8*13mm (4pcs)



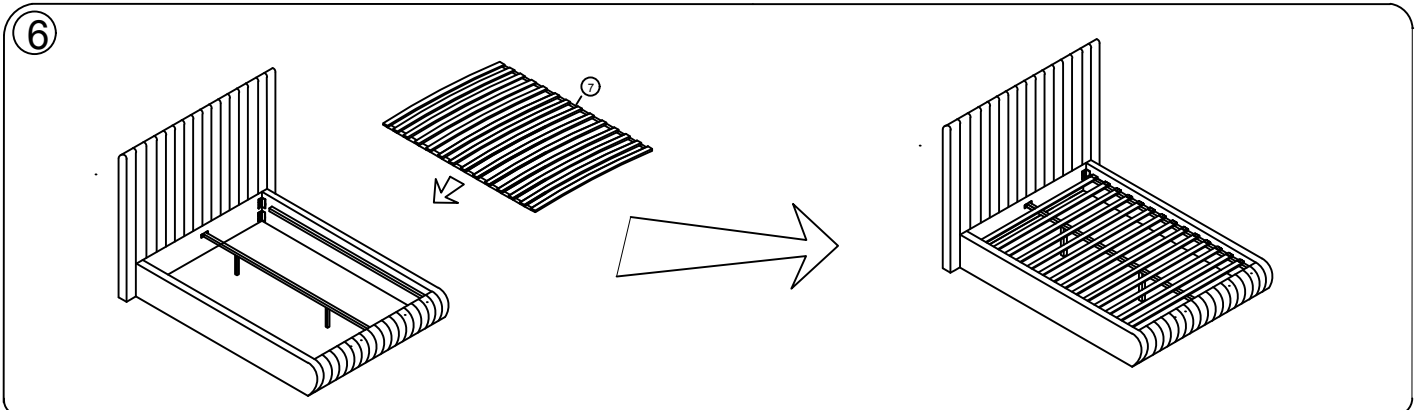
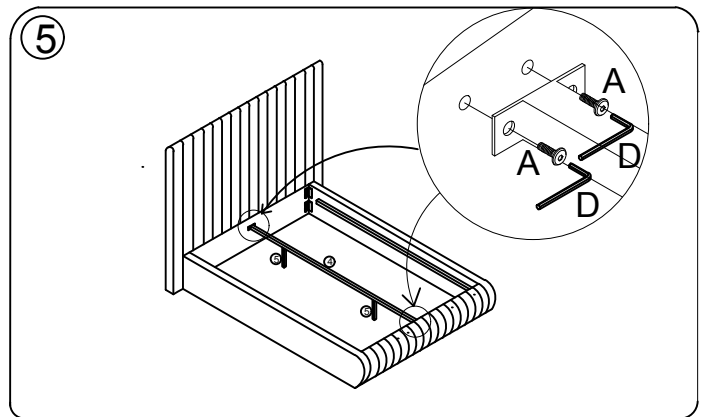
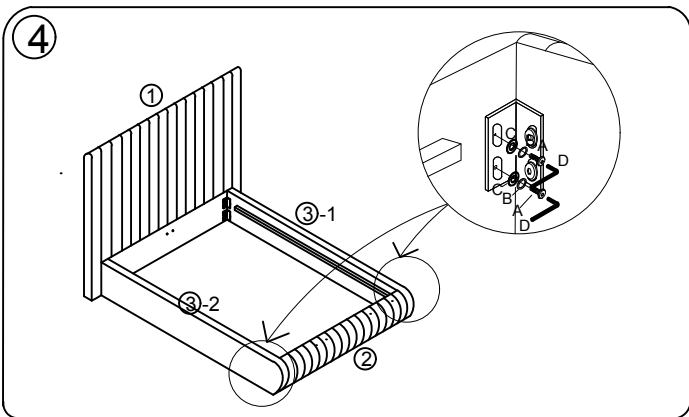
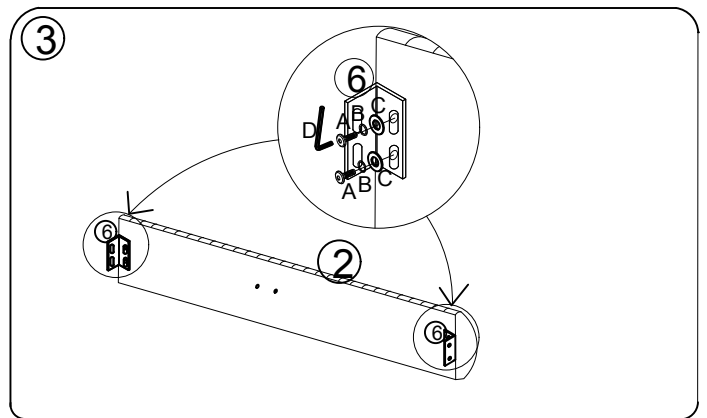
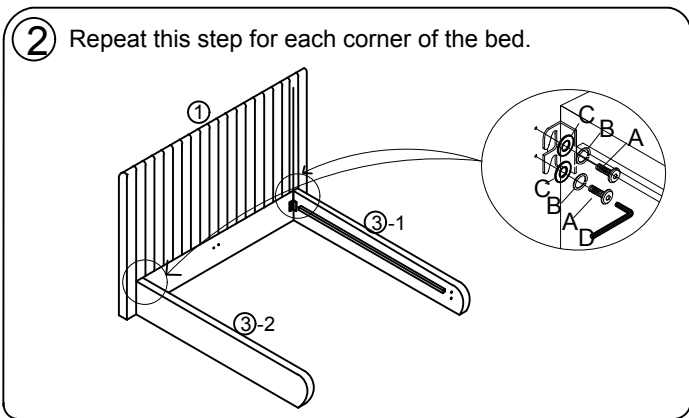
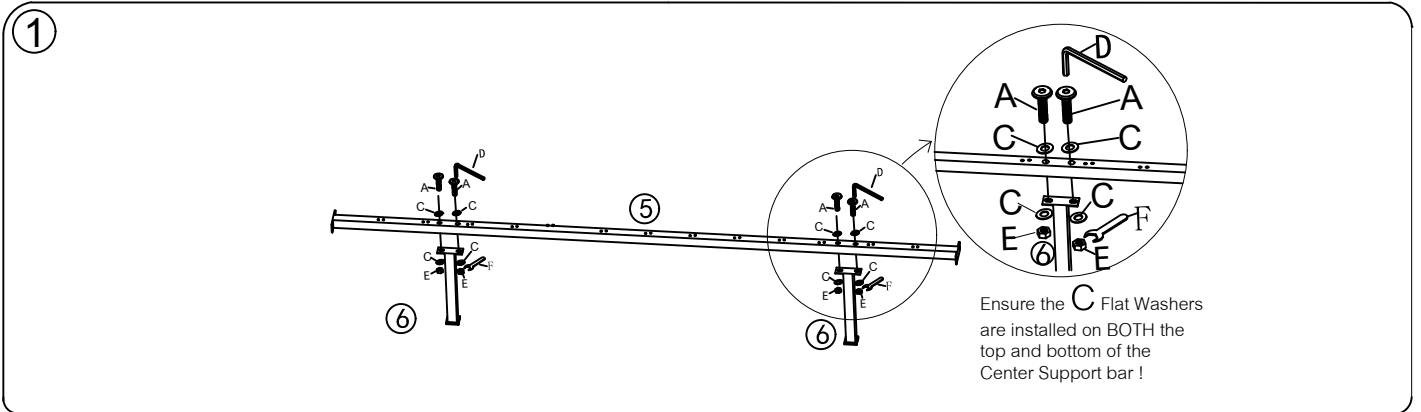
F Spanner (1pc)



ASSEMBLY INSTRUCTIONS

NASH BED - FULL

meridian.
furniture



NOTE: For questions about parts or assembly please email support@meridianfurnitureusa.com or call us at 718-758-4455.
www.MeridianFurnitureUSA.com | support@meridianfurnitureusa.com