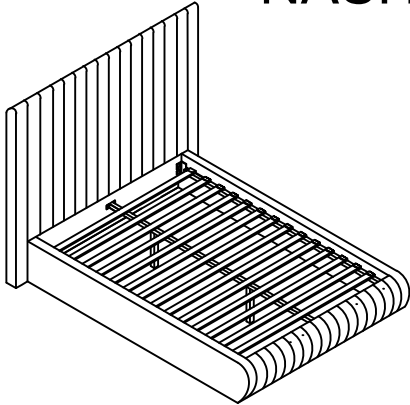


# ASSEMBLY INSTRUCTIONS

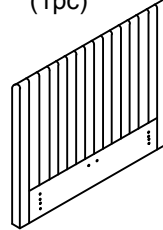
## NASH BED - TWIN

**meridian.**  
furniture

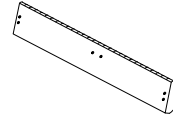


### + Parts Included

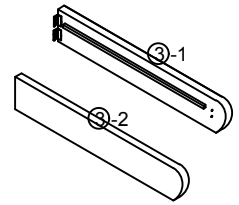
① Head Board (1pc)



② Foot Board (1pc)



③ Side Rails (2pcs)



④ Center Support Bar (1pc)



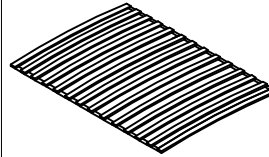
⑤ Support Legs (2pcs)



⑥ Bracket (2pcs)

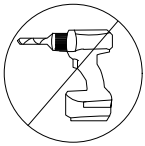


⑦ Slats joint (1set=13pcs)

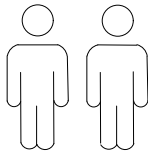


\*Slats come packed in the bottom of headboard carton.

### + Do Not Use Power Tools



### + Suggested Adults



NOTE: For questions about parts or assembly please email [support@meridianfurnitureusa.com](mailto:support@meridianfurnitureusa.com) or call us at 718-758-4455.

- 1 Read instructions cover to cover.
- 2 Save all packaging until assembly is completed.

### 1 IMPORTANT SAFETY INFORMATION

Do not assemble the product if any of the following parts arrived damaged:

- Part #③ -Side Rails
- Part #④ -Center Support Bar
- Part #⑤ -Support Legs
- Part #⑦ -Slats joint

### 2 IMPORTANT ASSEMBLY INFORMATION

Assembly Step ② Ensure the side rail bracket is fully hooked onto bolt **A** loosely threaded with both washers on the **OUTSIDE** of the bracket first, then proceed to fully tightening all 4 corners.

\*Slats come packed in the bottom of headboard carton.

### + Hardware Included

A Bolt M8\*40mm (24pcs)



B Spring Washer (16pcs)



C Flat Washer  $\varnothing 20$  (24pcs)



D M8 Allen Key (1pc)



E Nut M8\*13mm (4pcs)



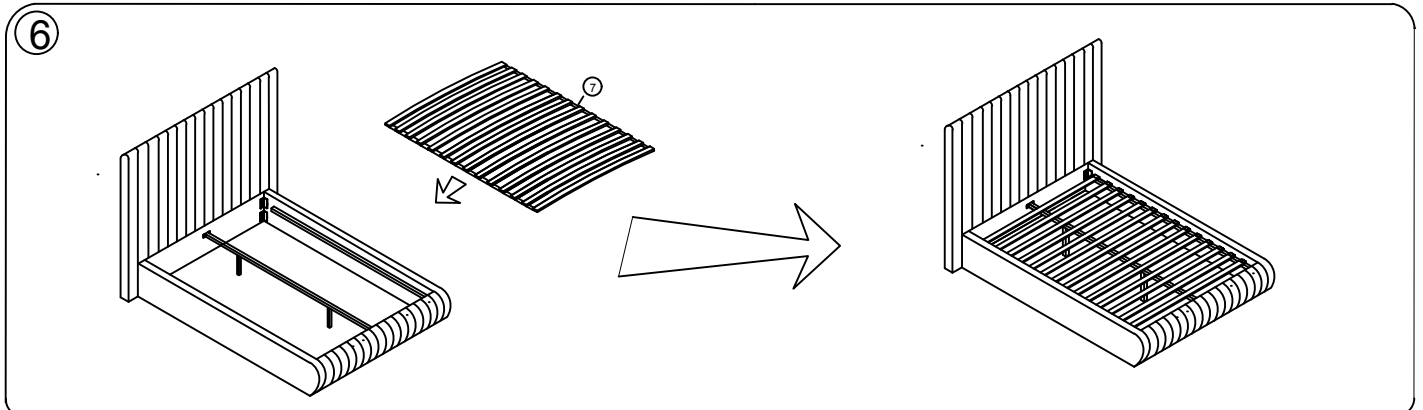
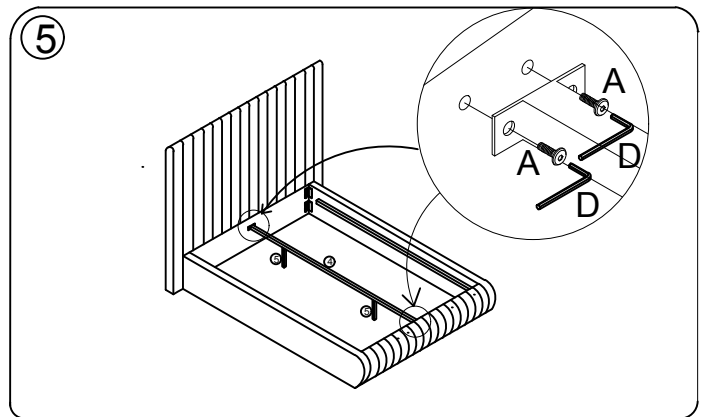
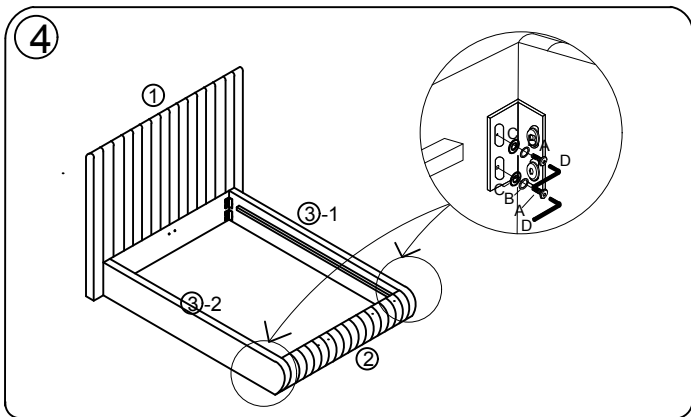
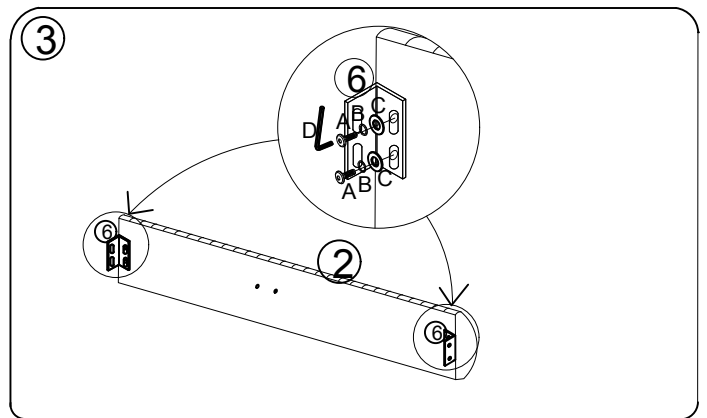
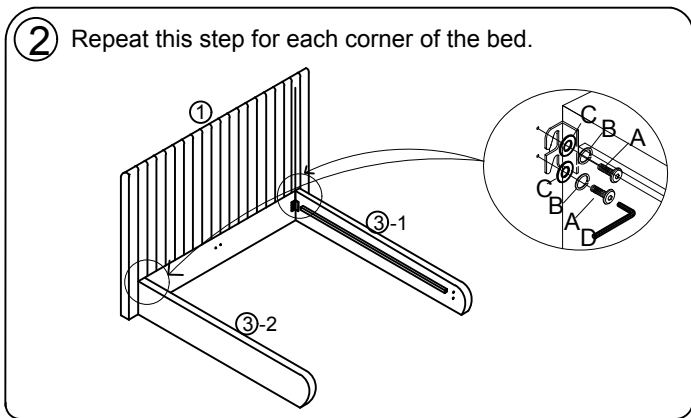
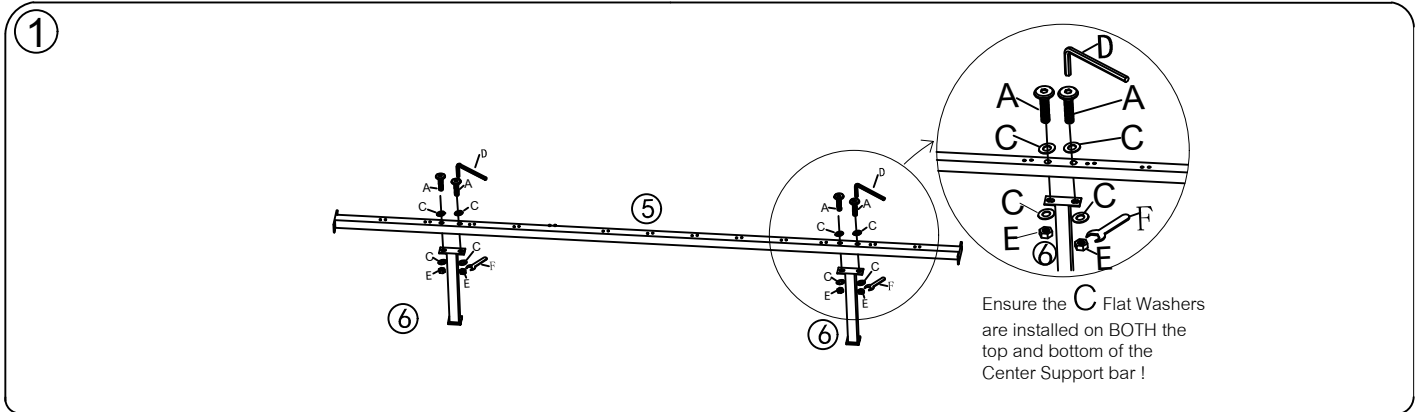
F Spanner (1pc)



# ASSEMBLY INSTRUCTIONS

## NASH BED - TWIN

**meridian.**  
furniture



**NOTE:** For questions about parts or assembly please email [support@meridianfurnitureusa.com](mailto:support@meridianfurnitureusa.com) or call us at 718-758-4455.  
[www.MeridianFurnitureUSA.com](http://www.MeridianFurnitureUSA.com) | [support@meridianfurnitureusa.com](mailto:support@meridianfurnitureusa.com)