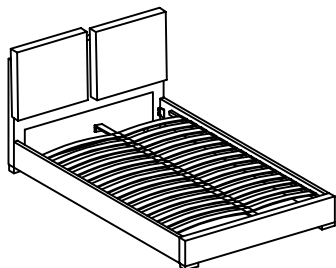


# ASSEMBLY INSTRUCTION **meridian.** furniture

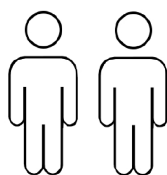
## MISHA QUEEN



### + Do Not Use Power Tools



### + Suggested Adults



**NOTE:** For questions about parts or assembly please email [support@meridianfurnitureusa.com](mailto:support@meridianfurnitureusa.com) or call us at 718-758-4455.

- 1 Read instructions cover to cover.
- 2 Save all packaging until assembly is completed.

### 1 **IMPORTANT SAFETY INFORMATION**

**Do not** assemble the product if any of the following parts arrived damaged:

- Part # - Side Rails
- Part # - Center Support Bar
- Part # - Support Legs
- Part # - Slats

### 2 **IMPORTANT ASSEMBLY INFORMATION**

**Assembly Step** Ensure the side rail bracket is fully hooked onto bolt loosely threaded with both washers on the **OUTSIDE** of the bracket first, then proceed to fully tightening all 4 corners.

**Assembly Step** When installing slats, ensure that the curve is facing upwards. (✓) (✗)

\*Slats come packed in the bottom of headboard carton.

### + Parts Included

- ① Headboard (1 of pc)    ② Footboard (1 of pc)    ③ Side Rail (2 of pcs)



- ④ Slat (28 of pcs)    ⑤ Center Rail (1 of pc)    ⑥ Support Leg (3 of pcs)

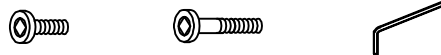


- ⑦ Middle Holder (14 of pcs)    ⑧ End Holder (28 of pcs)



### + Hardware Included

- A JCBB M8x20mm (8 of pcs)    B JCBC M6x40mm (3 of pcs)    C Allen Key M5 x 70mm (1 of pc)



- D Allen Key M4 x 65mm (1 of pc)    E CSK M4 x 16mm (6 of pcs)    F CSK M4 x 25mm (2 of pcs)



- G Adjuster (3 of pcs)

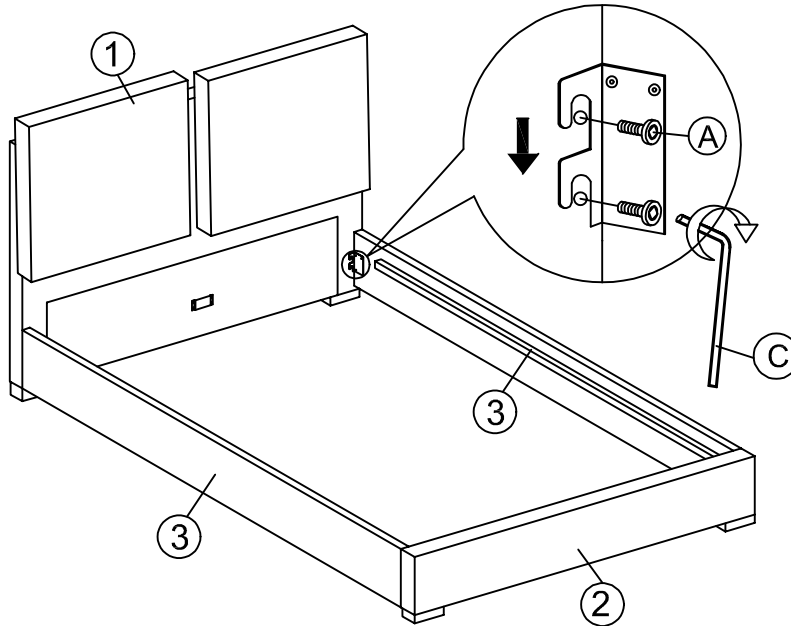


# ASSEMBLY INSTRUCTION

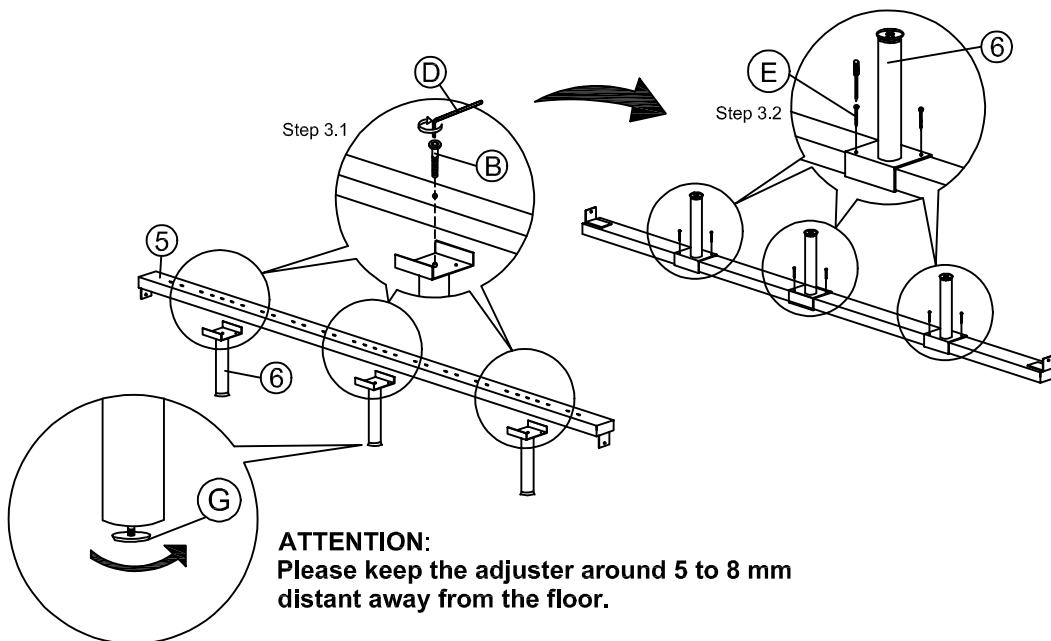
meridian.  
furniture

## MISHA QUEEN

1



2

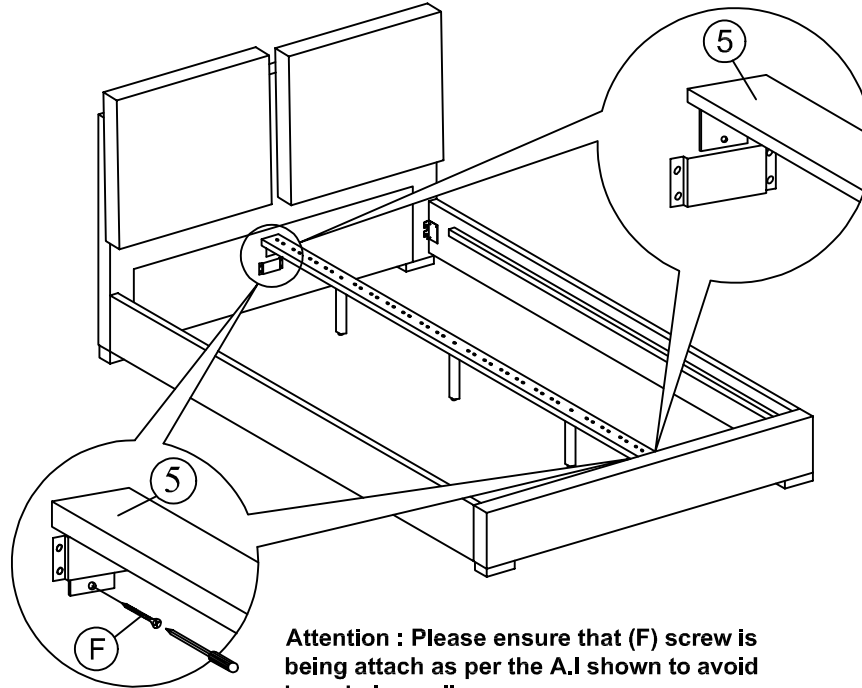


# ASSEMBLY INSTRUCTION



meridian.  
furniture

## MISHA QUEEN

3



Attention : Please ensure that (F) screw is being attach as per the A.I shown to avoid base being collapse.

4 When installing slat, ensure that curve is facing upwards. (  ) (  )  
✓ X

