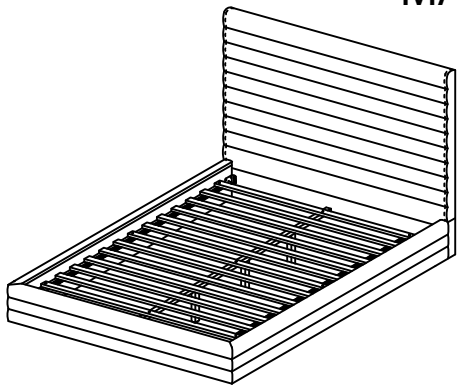


ASSEMBLY INSTRUCTIONS

MAXWELL - QUEEN

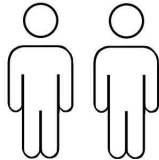
meridian.
furniture



+ Do Not Use Power Tools



+ Suggested Adults



NOTE: For questions about parts or assembly please email support@meridianfurnitureusa.com or call us at 718-758-4455.

- 1 Read instructions cover to cover.
- 2 Save all packaging until assembly is completed.

1 IMPORTANT SAFETY INFORMATION

Do not assemble the product if any of the following parts arrived damage:

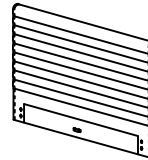
- Part 3 - Side Rails
- Part 4 - Center Support Bar
- Part 5 - Support Legs
- Part 6 - Slats

2 IMPORTANT ASSEMBLY INFORMATION

Assembly Step Ensure the side rail bracket is fully hooked onto bolt loosely threaded with both washers on the OUTSIDE of the bracket first, then proceed to fully tightening all 4 corners.

+ Parts Included

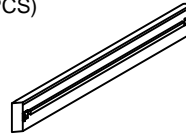
① HEADBOARD
(1 PC)



② FOOTBOARD
(1 PC)



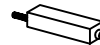
③ SIDE RAILS
(2 PCS)



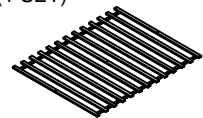
④ CENTER SUPPORT BAR
(1 PC)



⑤ SUPPORT LEGS
(3 PCS)



⑥ SLATS
(1 SET)



+ Hardware Included

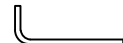
A M4 x 20mm
(2 PCS)



B M4 x 38mm
(9 PCS)



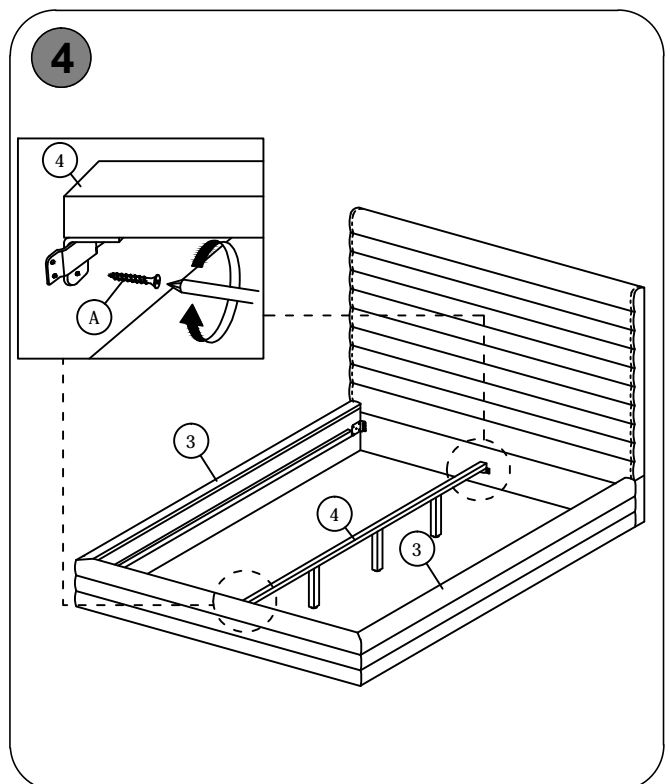
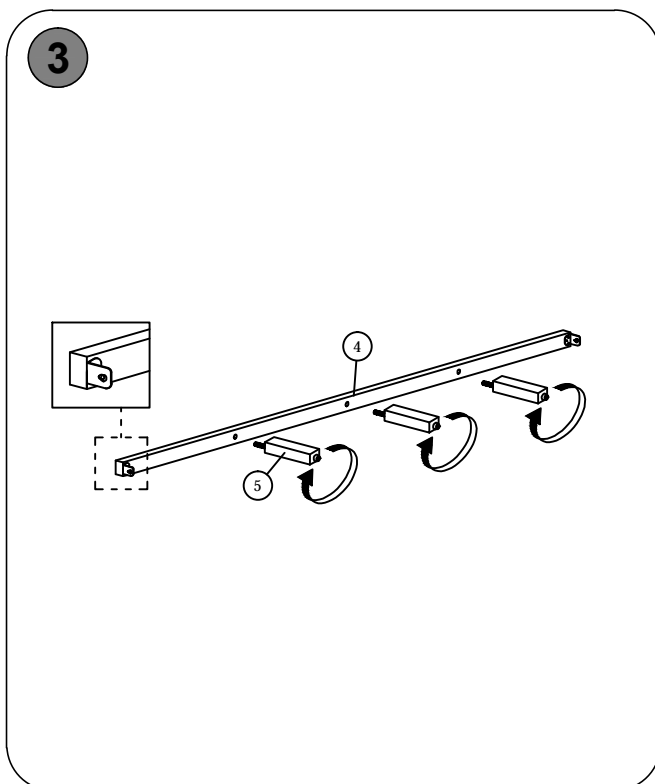
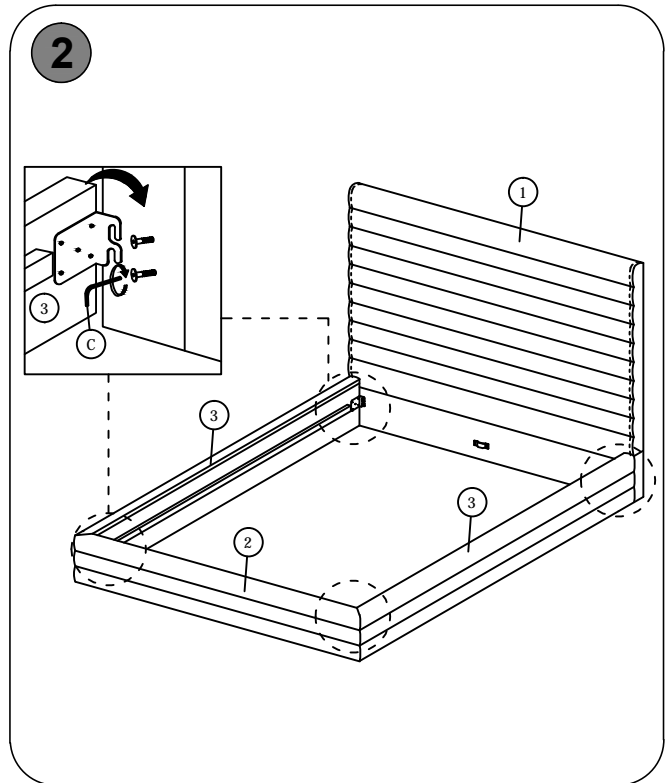
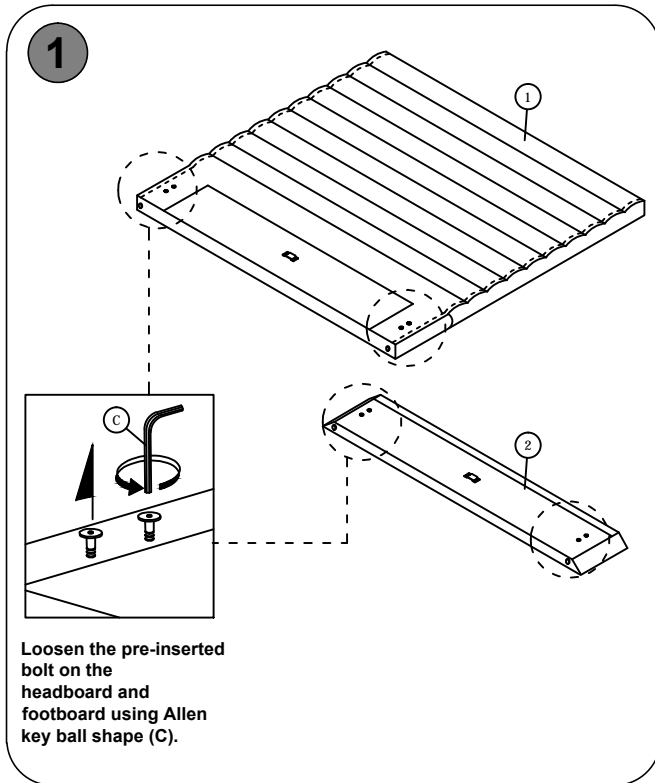
C M5
(1 PC)



ASSEMBLY INSTRUCTIONS

MAXWELL - QUEEN

meridian.
furniture



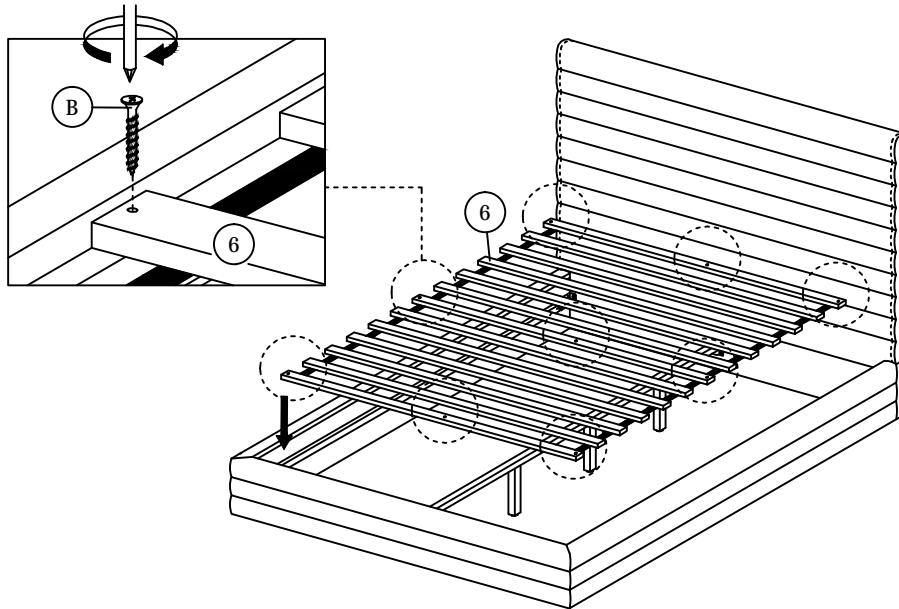
NOTE: For questions about parts or assembly please email support@meridianfurnitureusa.com or call us at 718-758-4455.
www.MeridianFurnitureUSA.com | support@meridianfurnitureusa.com

ASSEMBLY INSTRUCTIONS

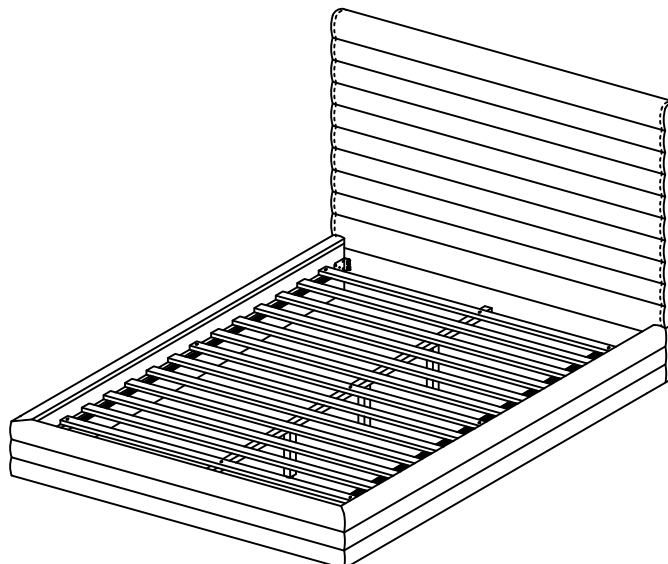
MAXWELL - QUEEN

meridian.
furniture

5



6



NOTE: For questions about parts or assembly please email support@meridianfurnitureusa.com or call us at 718-758-4455.
www.MeridianFurnitureUSA.com | support@meridianfurnitureusa.com