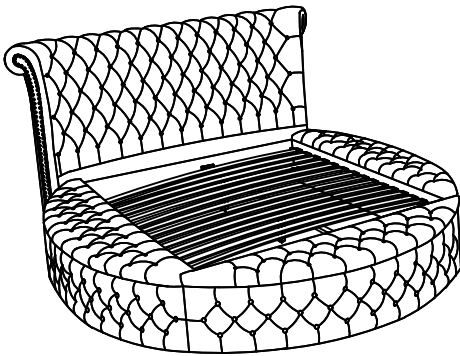
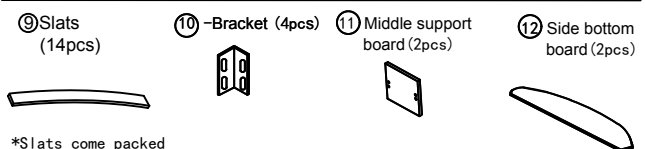
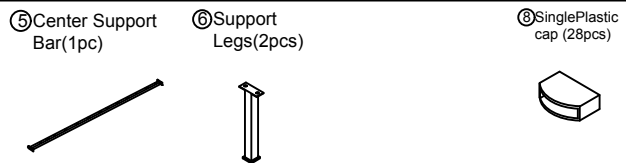
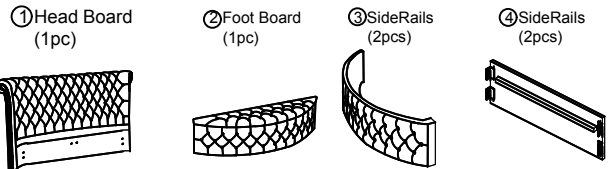


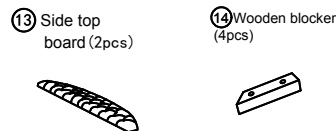
ASSEMBLY INSTRUCTIONS **meridian.** LUXUS BED - TWIN furniture



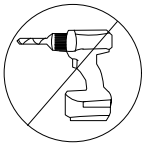
+ Parts Included



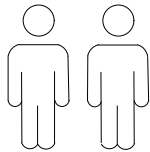
*Slats come packed in the bottom of headboard carton.



+ Do Not Use Power Tools



+ Suggested Adults



NOTE: For questions about parts or assembly please email support@meridianfurnitureusa.com or call us at 718-758-4455.

- 1 Read instructions cover to cover.
- 2 Save all packaging until assembly is completed.

1 IMPORTANT SAFETY INFORMATION

Do not assemble the product if any of the following parts arrived damaged:

- Part #③/④-Side Rails
- Part #⑤ -Center Support Bar
- Part #⑥ -Support Legs
- Part #⑨ -Slats

2 IMPORTANT ASSEMBLY INFORMATION

Assembly Step ③ Ensure the side rail bracket is fully hooked onto bolt **C** loosely threaded with both washers on the **OUTSIDE** of the bracket first, then proceed to fully tightening all 4 corners.

Assembly Step ⑨ When installing slats, ensure that the curve is facing upwards. (↖) (✗)
*Slats come packed in the bottom of headboard carton.

+ Hardware Included

- A Bolt M8*40mm (20pcs) B Bolt M8*25mm (4pcs) C Bolt M8*50mm (16pcs)



- D Spring Washer (16pcs) E Flat Washer $\phi 20$ (56pcs) F M8 Allen Key (1pc)



- G Bolt M8*20mm (16pcs) I Nut M8*13mm (4pcs)



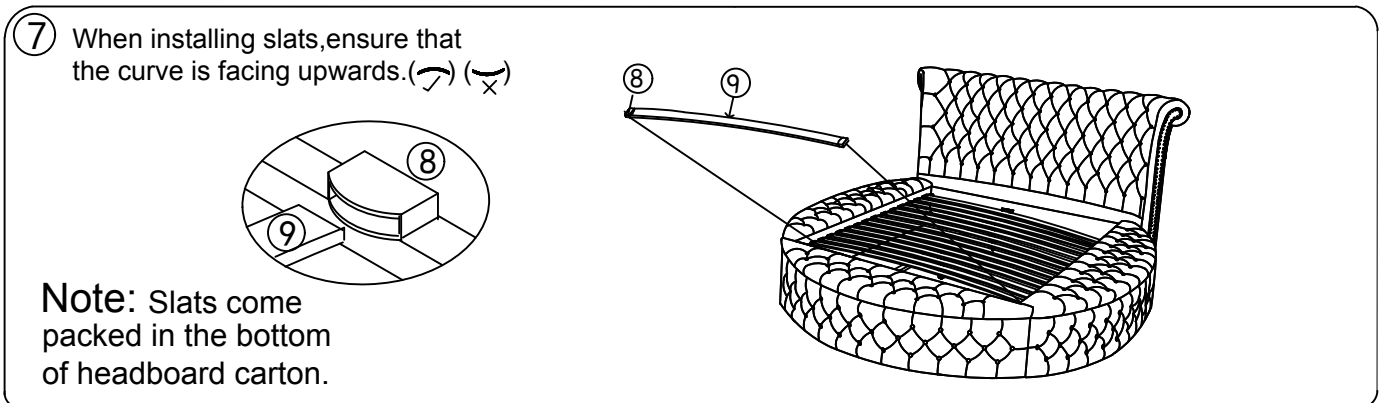
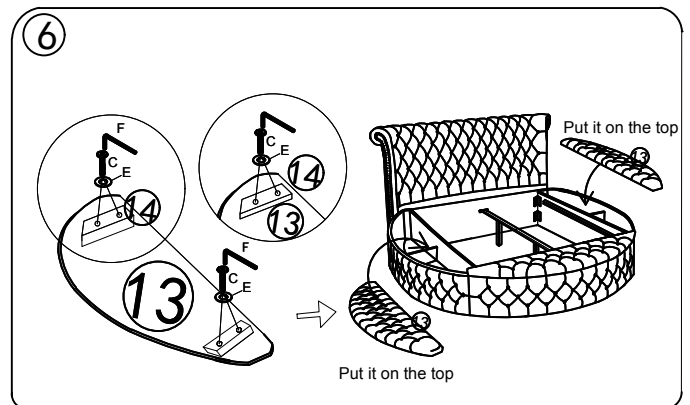
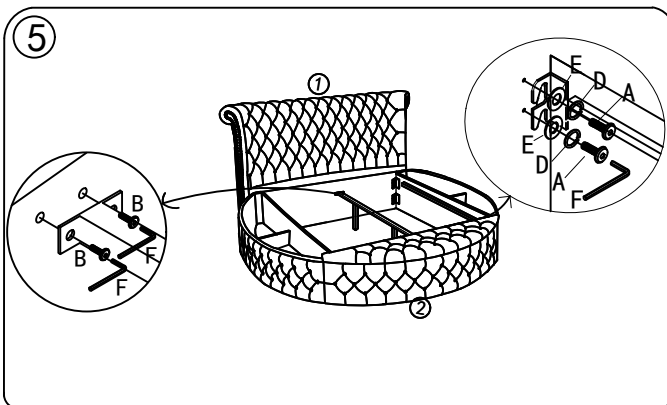
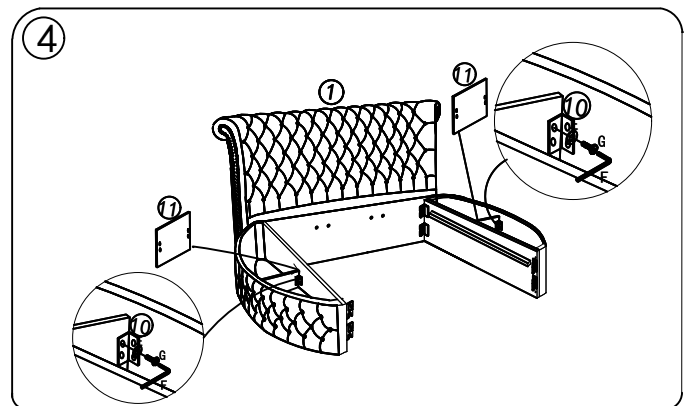
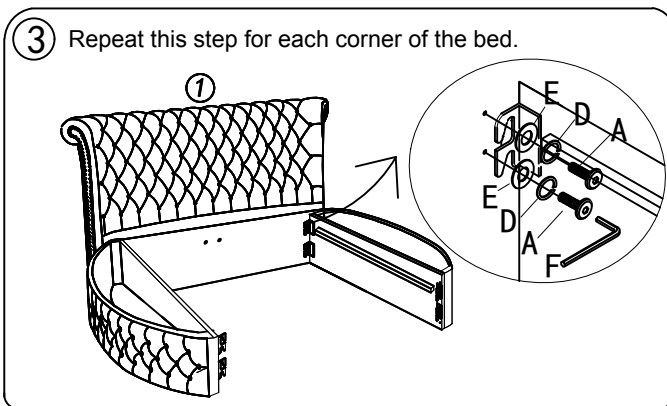
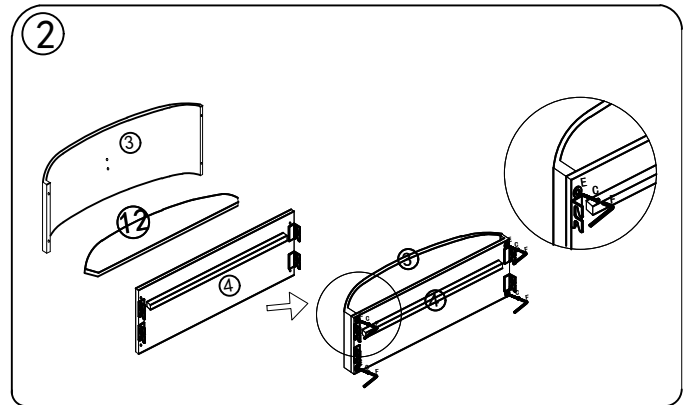
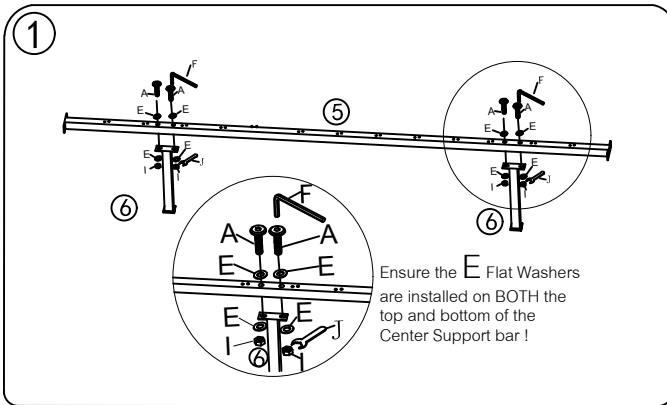
- J Spanner (1pc)



ASSEMBLY INSTRUCTIONS

LUXUS BED - TWIN

meridian.
furniture



NOTE: For questions about parts or assembly please email support@meridianfurnitureusa.com or call us at 718-758-4455.

www.MeridianFurnitureUSA.com | support@meridianfurnitureusa.com