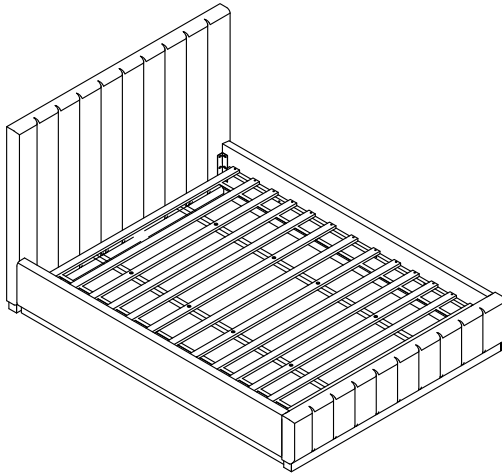


ASSEMBLY INSTRUCTION

Lucia Bed- K

meridian.
furniture



**+ Do Not Use
Power Tools**



**+Suggested
Adults**



NOTE: For questions about parts or assembly please email supports@meridianfurnitureusa.com or call us at 818-758-4488

- 1 Read instructions cover to cover.
- 2 Save all packaging until assembly is completed.

1 IMPORTANT SAFETY INFORMATION

Do not assemble the product if any of the following parts arrived damaged:

- | | |
|----------------------------------|---|
| Part#1 -Headboard | Part#7 -Center leg |
| Part#2 -Footboard | |
| Part#3 -Wood strip for Side rail | |
| Part#4 -Center slat support | |
| Part#5 -Side rail | Part#8 -Wood Block on Headboard & Footboard |
| Part#6 -Slats | |

Do not assemble if any of the following Hardware parts are missing:

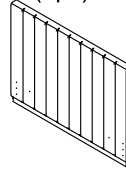
- | | |
|-----------------------|-----------------------|
| Part#B,E, -Bolt | Part#D, -Lock washer |
| Part#A, -Allen Key | Part#G -Metal bracket |
| Part#C,H -Flat washer | Part#F -screw |

2 IMPORTANT SAFETY INFORMATION

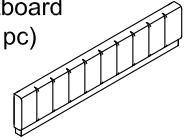
Assembly Step if loosening persists, please make sure to tighten all the bolts periodically, or use a thread locker adhesive.

+Parts Included

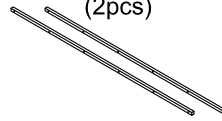
① Headboard
(1pc)



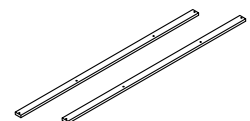
② Footboard
(1pc)



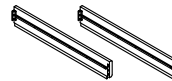
③ Wood strip for Side rail
(2pcs)



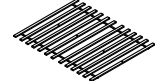
④ Center slat support
(2pcs)



⑤ Side rail
(2pcs)



⑥ Slats
(13pcs)



⑦ Center leg
(8pcs)



⑧ Wood Block on Headboard & Footboard
(4pcs)



+Hardware Included

A Ø5/16"
(1pc)



B Ø5/16"*1"
(24pcs)



C Ø5/16"
(24pcs)



D Ø5/16"
(48pcs)



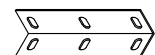
E Ø1/4" *2" 3/8"
(24pcs)



F #8*30mm
(30pcs)



G Metal bracket
(4pcs)



H Ø1/4"
(24pcs)



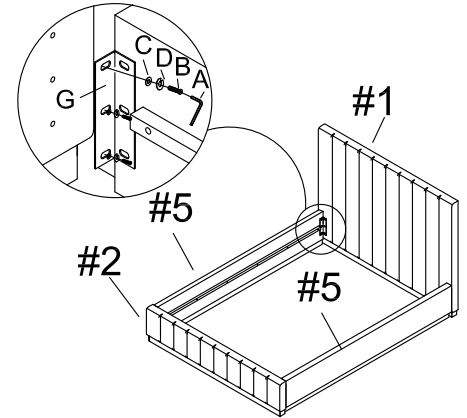
ASSEMBLY INSTRUCTION

Lucia Bed- K

meridian.
furniture

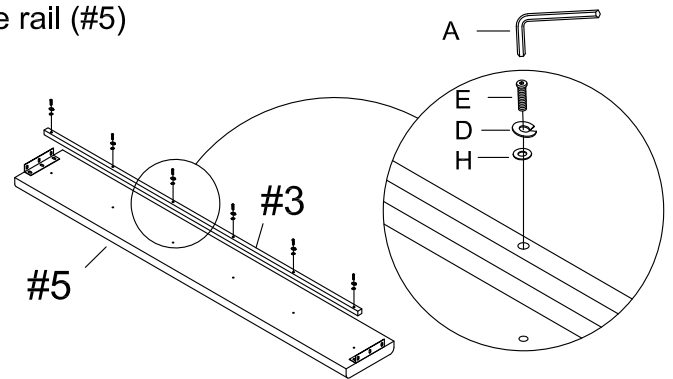
1

Step 1. Attach Metal Bracket (G) to side rail (#5), Headboard (#1) and Footboard (#2) with Bolt (B), Lock washer (D) and Flat washer (C). Tighten with Allen Key (A).



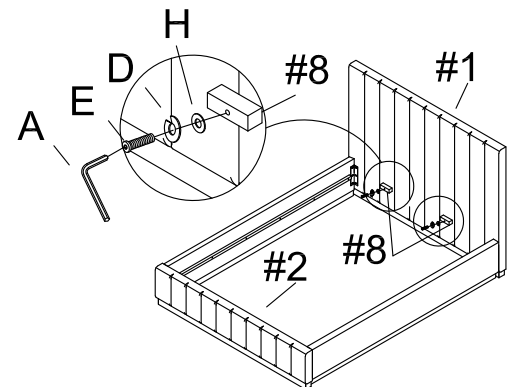
2

Step 2. Attach Wood strip for Side rail (#3) to side rail (#5) with Bolt (E), Lock washer (D) and Flat washer (H). Tighten with Allen Key (A).



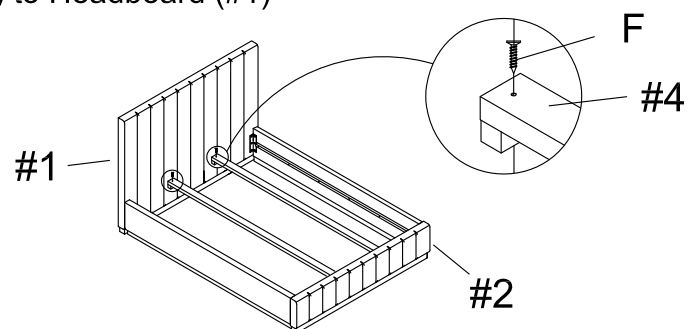
3

Step 3. Attach Wood Block on (#8) to Headboard (#1) and Footboard (#2) with Bolt (E), Lock washer (D) and Flat washer (H). Tighten with Allen Key (A).



4

Step 4. Attach Middle support rail of Slats (#4) to Headboard (#1) and Footboard (#2) with Screw (F).



NOTE: For question about parts or assembly please email support@meridianfurnitureusa.com or call us at 718-758-4455

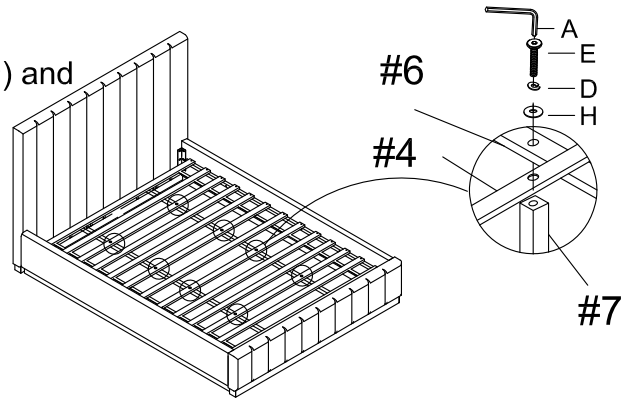
ASSEMBLY INSTRUCTION

Lucia Bed- K

meridian.
furniture

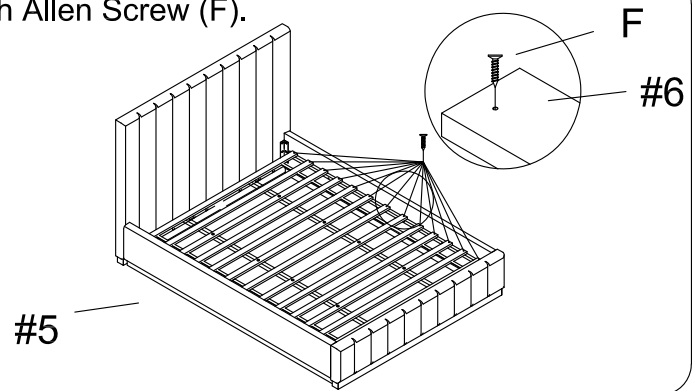
5

Step 5. Attach Center leg (#7) to Middle support rail (#4) and Slats (#6) with Bolt (E), Lock washer (D) and Flat washer (H). Tighten with Allen Key (A).



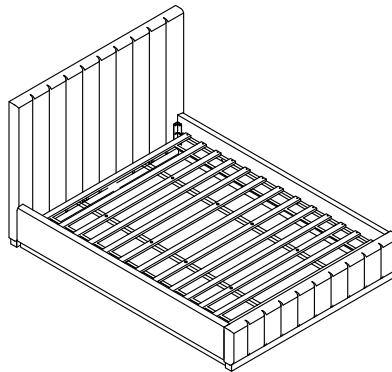
6

Step 6. Attach Slats (#6) and to Side rail (#5) with Allen Screw (F).



7

Assembly Complete.



NOTE: For question about parts or assembly please email support@meridianfurnitureusa.com or call us at 718-758-4455

www.MeridianFurnitureUSA.com support@meridianfurnitureusa.com

3 of 3