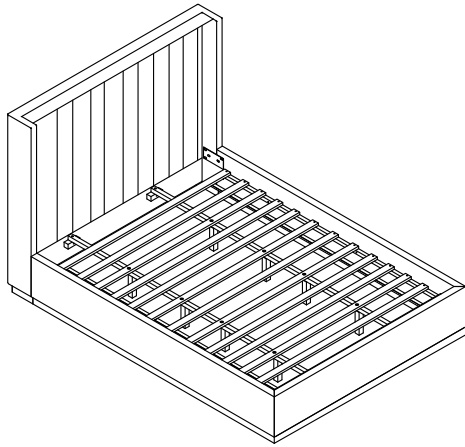


# ASSEMBLY INSTRUCTION

## Logan Bed- K

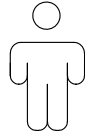
meridian.  
furniture



**+ Do Not Use  
Power Tools**



**+Suggested  
Adults**



**NOTE:** For questions about parts or assembly please email [supports@meridianfurnitureusa.com](mailto:supports@meridianfurnitureusa.com) or call us at 818-758-4488

- 1 Read instructions cover to cover.
- 2 Save all packaging until assembly is completed.

### 1 IMPORTANT SAFETY INFORMATION

**Do not** assemble the product if any of the following parts arrived damaged:

- |                                  |   |
|----------------------------------|---|
| Part#1 -Headboard                | Part#7 -Center leg                          |
| Part#2 -Footboard                |   |
| Part#3 -Wood strip for Side rail |   |
| Part#4 -Center support rails     |   |
| Part#5 -Side rail                | Part#8 -Wood Block on Headboard & Footboard |
| Part#6 -Slats                    |   |

**Do not** assemble if any of the following Hardware parts are missing:

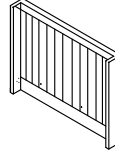
- |                       |                         |
|-----------------------|-------------------------|
| Part#B,E, -Bolt       | Part#D, -Lock washer    |
| Part#A, -Allen Key    | Part#G,I -Metal bracket |
| Part#C,H -Flat washer | Part#F -screw           |

### 2 IMPORTANT SAFETY INFORMATION

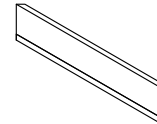
**Assembly Step** if loosening persists, please make sure to tighten all the bolts periodically, or use a thread locker adhesive.

### +Parts Included

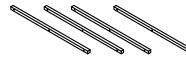
① Headboard  
(1pc)



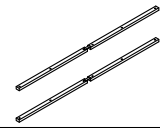
② Footboard  
(1pc)



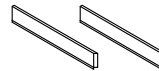
③ Wood strip for  
Side rail  
(4pcs)



④ Center support rails  
(2pcs)



⑤ Side rail  
(2pcs)



⑥ Slats  
(13pc)



⑦ Center leg  
(8pcs)



⑧ Wood Block on  
Headboard & Footboard  
(4pcs)



### +Hardware Included

A Ø1/4"  
(1pc)



B Ø5/16"\*1"  
(24pcs)



C Ø5/16"  
(24pcs)



D Ø5/16"  
(48pcs)



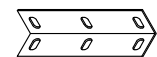
E Ø1/4" \*2" 3/8"  
(24pcs)



F #8\*30mm  
(30pcs)



G Metal bracket  
(2pcs)



H Ø1/4"  
(24pcs)



I Metal bracket  
(2pcs)



# ASSEMBLY INSTRUCTION

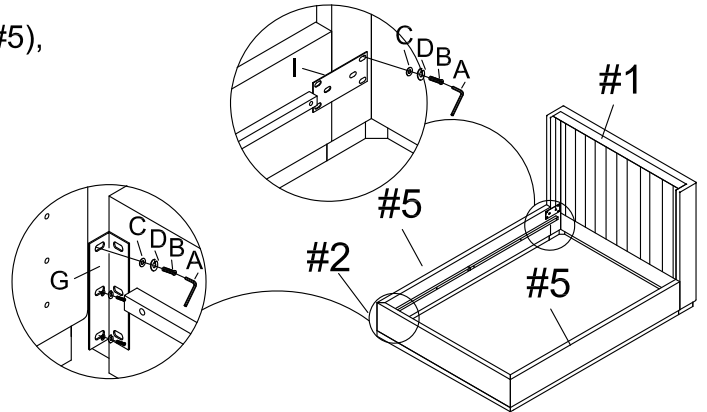
## Logan Bed- K

meridian.  
furniture

1

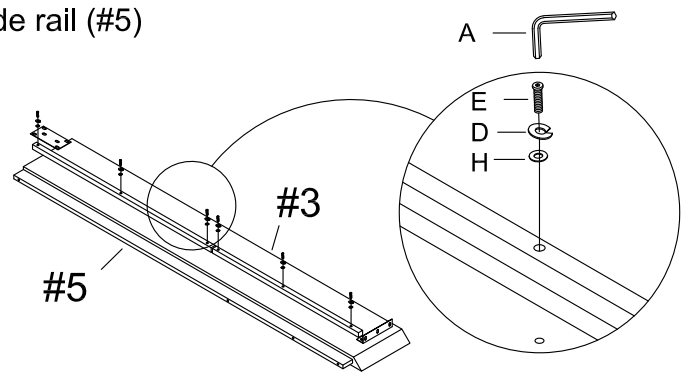
Step 1. Attach Metal Bracket (G) to side rail (#5),  
Footboard (#2) with Bolt (B),  
Lock washer (D) and Flat washer (C) .  
Tighten with Allen Key (A).

Attach Metal Bracket (I) to side rail (#5),  
Headboard(#1) with Bolt (B),  
Lock washer (D) and Flat washer (C) .  
Tighten with Allen Key (A).



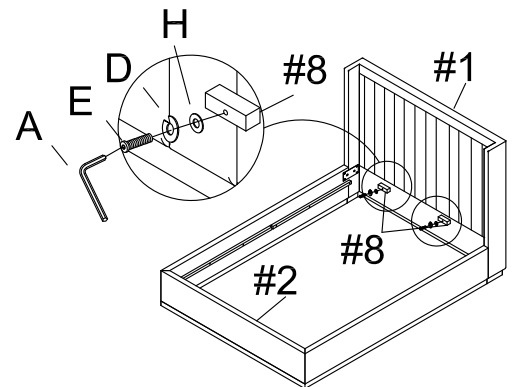
2

Step 2. Attach Wood strip for Side rail (#3) to side rail (#5)  
with Bolt (E), Lock washer (D) and  
Flat washer (H) .Tighten with Allen Key (A).



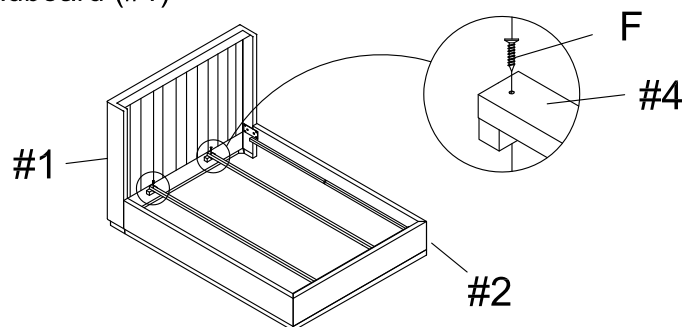
3

Step 3. Attach Wood Block on (#8) to Headboard  
(#1) and Footboard (#2) with Bolt (E), Lock washer (D) and  
Flat washer (H) .Tighten with Allen Key (A).



4

Step 4. Attach Center support rails (#4) to Headboard (#1)  
and Footboard (#2) with Screw(F).



NOTE: For question about parts or assembly please email  
support@meridianfurnitureusa.com or call us at 718-758-4455

www.MeridianFurnitureUSA.com support@meridianfurnitureusa.com

2 of 3

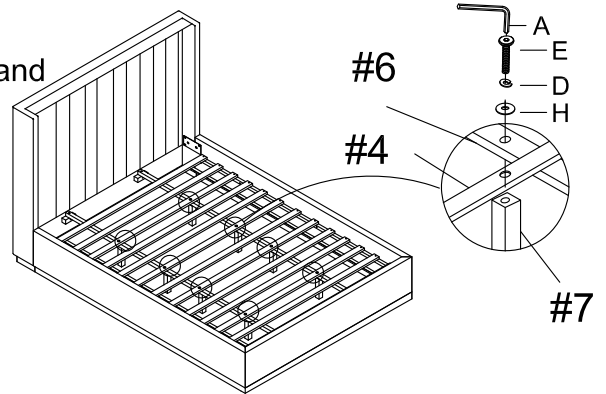
# ASSEMBLY INSTRUCTION

## Logan Bed- K

meridian.  
furniture

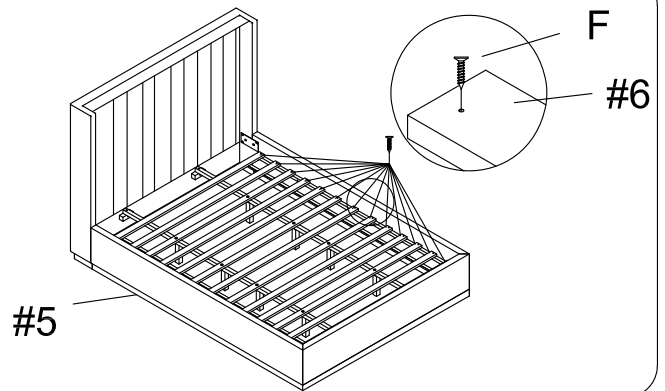
5

Step 5. Attach Center leg (#7) to Middle support rail (#4) and Slats (#6) with Bolt (E), Lock washer (D) and Flat washer (H). Tighten with Allen Key (A).



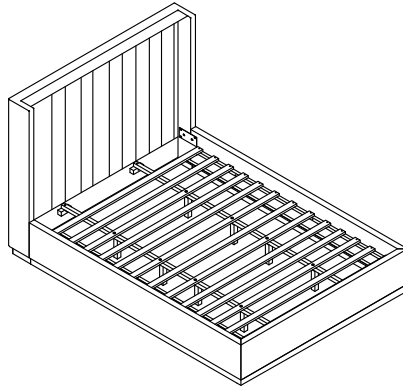
6

Step 6. Attach Slats (#6) to Side rail (#5) with Allen Screw (F).



7

Assembly Complete.



NOTE: For question about parts or assembly please email [support@meridianfurnitureusa.com](mailto:support@meridianfurnitureusa.com) or call us at 718-758-4455

[www.MeridianFurnitureUSA.com](http://www.MeridianFurnitureUSA.com) [support@meridianfurnitureusa.com](mailto:support@meridianfurnitureusa.com)

3 of 3