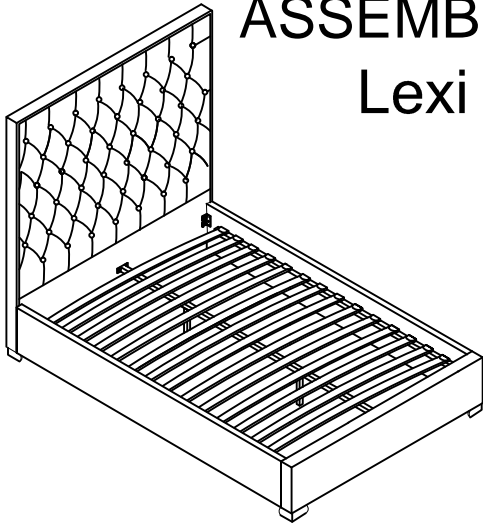


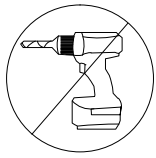
ASSEMBLY INSTRUCTIONS

Lexi / Lana bed - twin

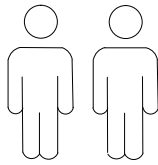
meridian.
furniture



+ Do Not Use Power Tools



+ Suggested Adults

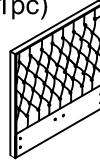


NOTE: For questions about parts or assembly please email support@meridianfurnitureusa.com or call us at 718-758-4455.

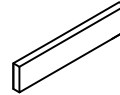
- 1 Read instructions cover to cover.
- 2 Save all packaging until assembly is completed.

+ Parts Included

① Head Board (1pc)



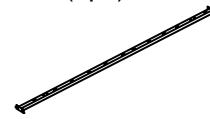
② Foot Board (1pc)



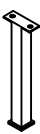
③ Side Rails (2pcs)



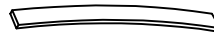
⑤ Center Support Bar (1pc)



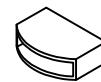
⑥ Support Legs (2pcs)



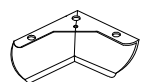
⑦ Slats (28pcs)



⑧ Single Plastic cap (28pcs)



⑨ Legs (4pcs)



*Slats come packed in the bottom of headboard carton.

1 IMPORTANT SAFETY INFORMATION

Do not assemble the product if any of the following parts arrived damaged:

- Part #③ -Side Rails
- Part #⑤ -Center Support Bar
- Part #⑥ -Support Legs
- Part #⑦ -Slats

2 IMPORTANT ASSEMBLY INFORMATION

Assembly Step ③ Ensure the side rail bracket is fully hooked onto bolt A loosely threaded with both washers on the OUTSIDE of the bracket first, then proceed to fully tightening all 4 corners.

Assembly Step ⑥ When installing slats, ensure that the curve is facing upwards. (↖) (↘)
*Slats come packed in the bottom of headboard carton.

+ Hardware Included

A Bolt M8*30mm (16pcs)



B Bolt M6*25mm (8pcs)



C Nut M8*13mm (4pcs)



D Spring Washer (8pcs)



E Flat Washer (20<24pcs)



F M8 Allen Key (1pc)



G M6 Allen Key (1pc)



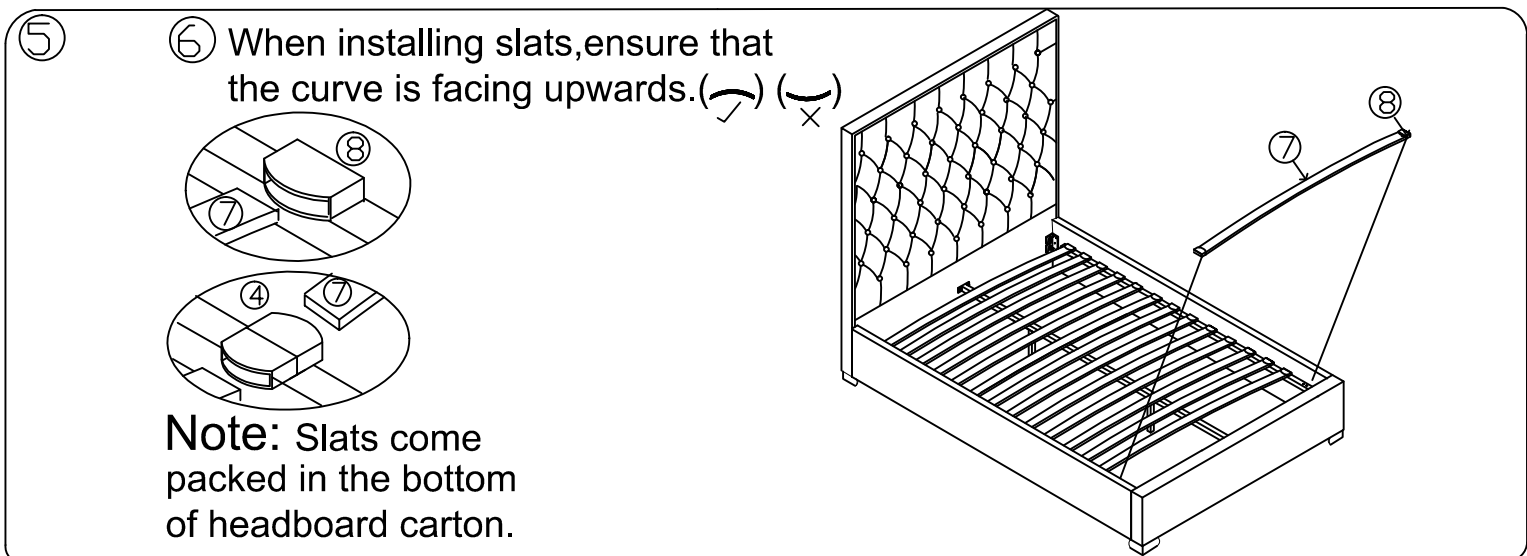
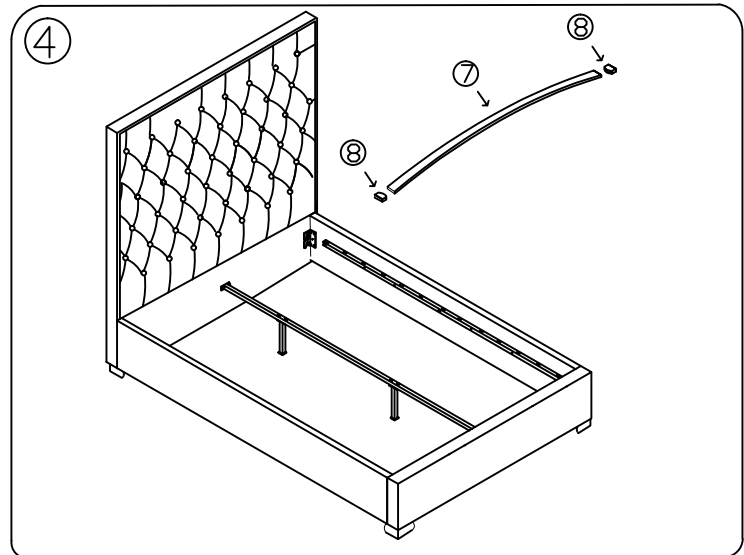
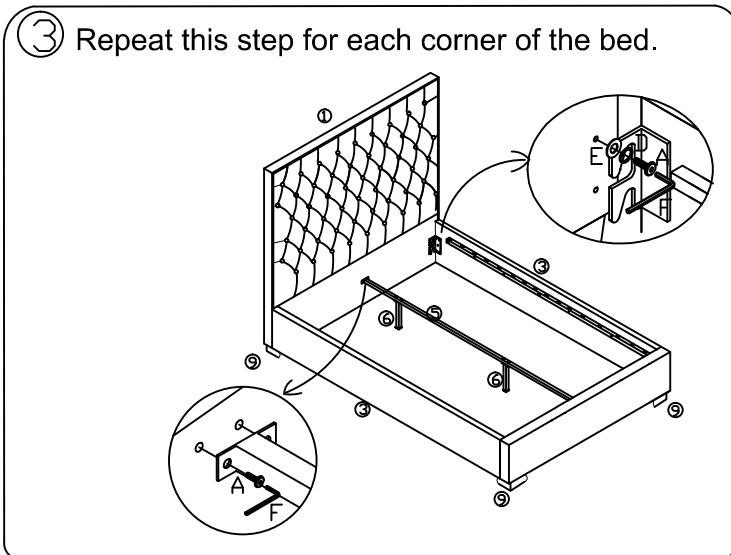
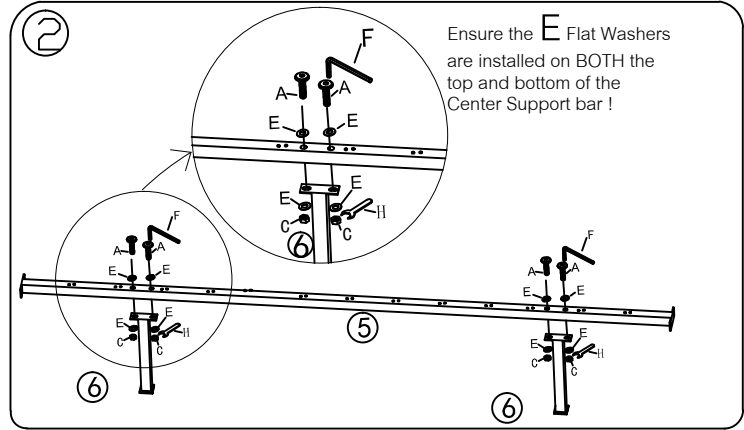
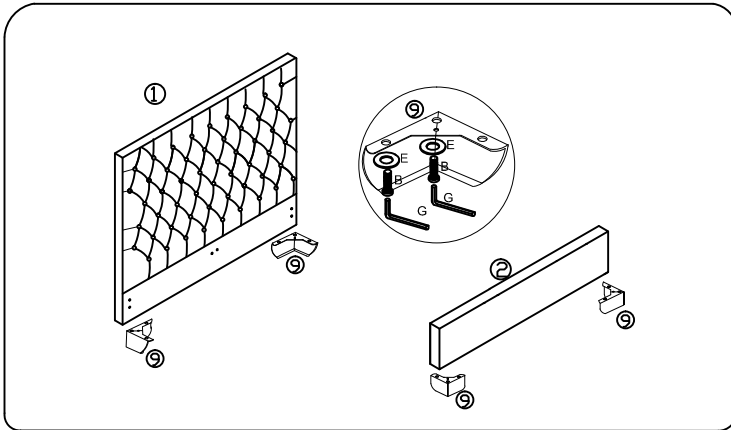
H Spanner (1pc)



ASSEMBLY INSTRUCTIONS

Lexi / Lana bed - twin

meridian.
furniture



NOTE: For questions about parts or assembly please email support@meridianfurnitureusa.com or call us at 718-758-4455.

www.MeridianFurnitureUSA.com | support@meridianfurnitureusa.com