

# ASSEMBLY INSTRUCTION

meridian.  
furniture

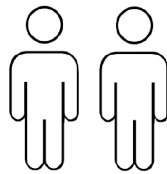
## KELLY-K



### + Do Not Use Power Tools



### + Suggested Adults



**NOTE:** For questions about parts or assembly please email [support@meridianfurnitureusa.com](mailto:support@meridianfurnitureusa.com) or call us at 718-758-4455.

- 1 Read instructions cover to cover.
- 2 Save all packaging until assembly is completed.

### 1 IMPORTANT SAFETY INFORMATION

**Do not** assemble the product if any of the following parts arrived damaged:

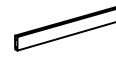
- Part # - Side Rails
- Part # - Center Support Bar
- Part # - Support Legs
- Part # - Slats

### 2 IMPORTANT ASSEMBLY INFORMATION

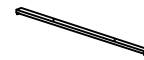
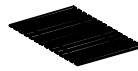
**Assembly Step** Ensure the side rail bracket is fully hooked onto bolt loosely threaded with both washers on the **OUTSIDE** of the bracket first, then proceed to fully tightening all 4 corners.

### + Parts Included

- ① Headboard (1 of pc)      ② Footboard (1 of pc)      ③ Side Rail (2 of pcs)



- ④ 14 Pcs Slat (1 of set)      ⑤ Center Rail (2 of pcs)      ⑥ Support Leg (4 of pcs)



- ⑦ Headboard Metal (Left) (1 of pc)      ⑧ Headboard Metal (Right) (1 of pc)      ⑨ Footboard Metal (Left) (1 of pc)

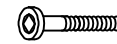


- ⑩ Footboard Metal (Right) (1 of pc)      ⑪ Headboard and Footboard Upper Metal (2 of pcs)      ⑫ Side Rail Upper Metal (2 of pcs)



### + Hardware Included

- A Black JCBC M6x20mm (16 of pcs)      B Black JCBC M6x50mm (8 of pcs)      C JCBB M8x20mm (16 of pcs)



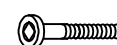
- D Allen Key M4 x 65mm (1 of pc)      E Allen Key M5 x 70mm (1 of pc)      F CSK M4 x 25mm (4 of pcs)



- G CSK M4 x 32mm (34 of pcs)      H Small Adjuster (4 of pcs)      I Black Spring Washer (24 of pcs)

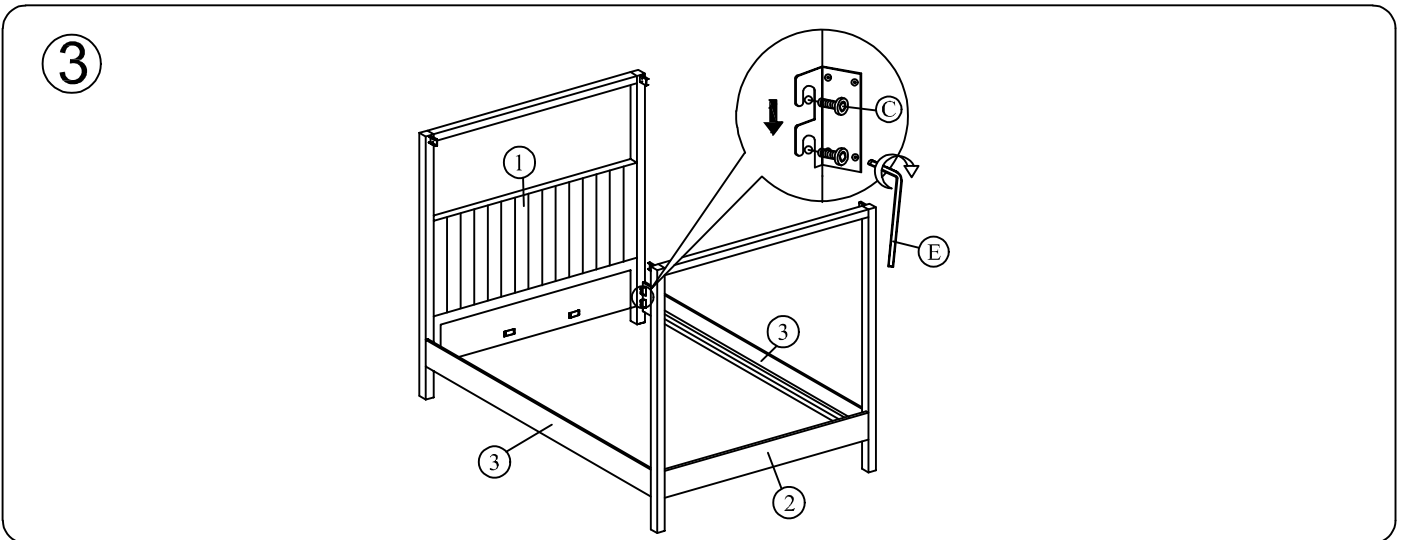
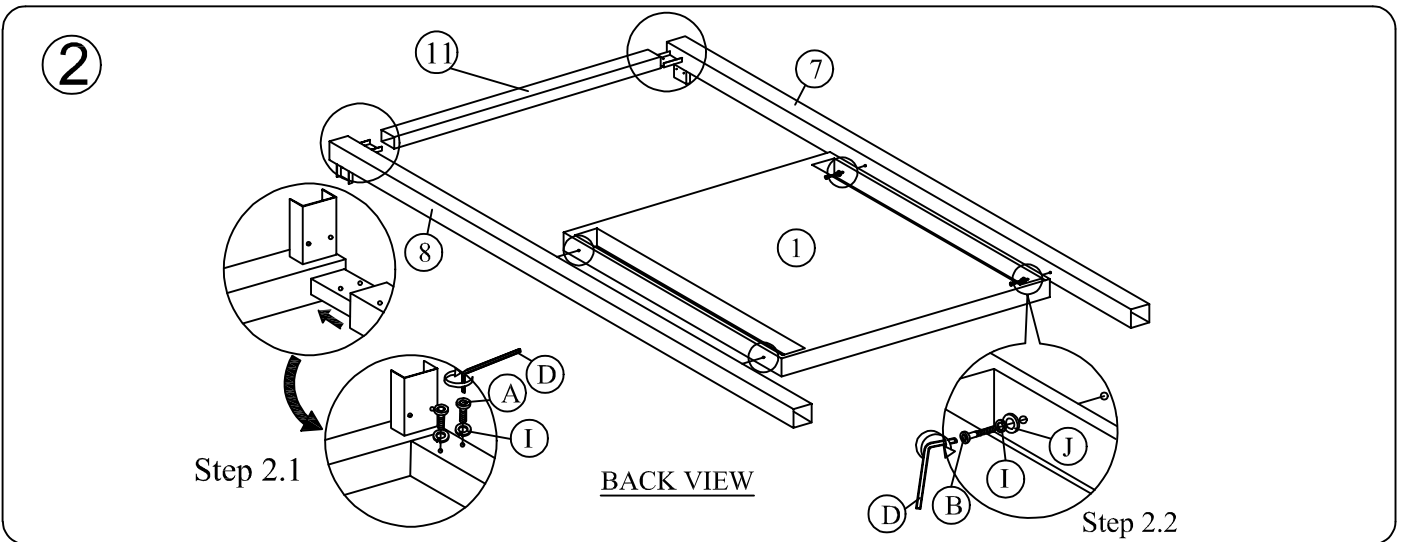
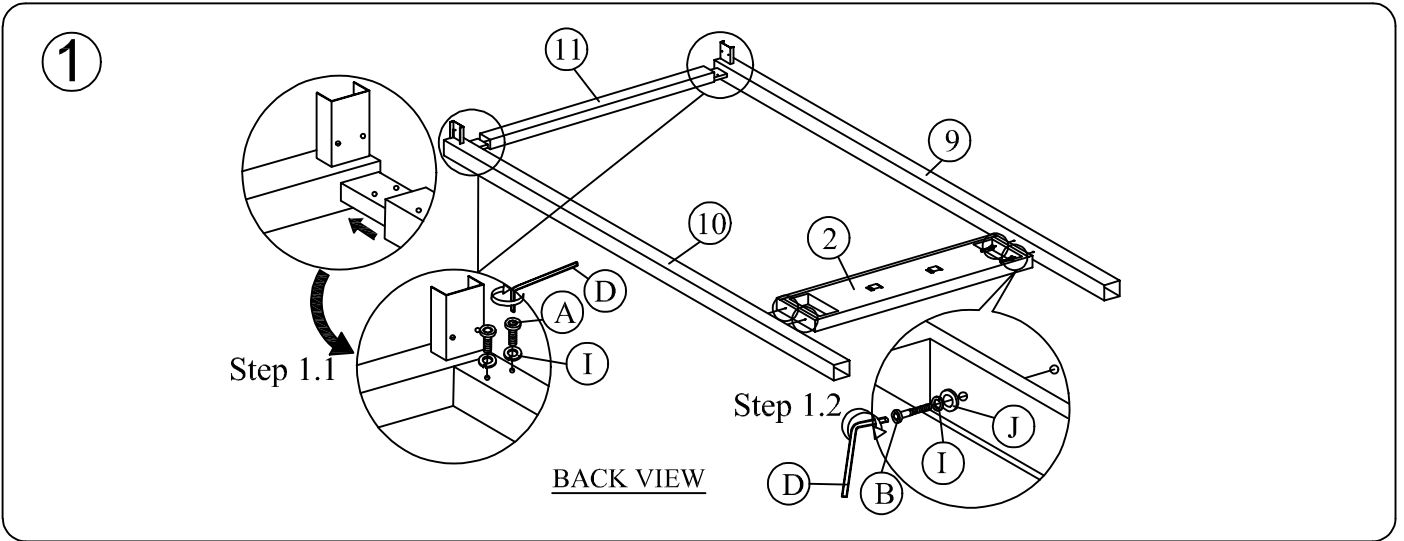


- J Black Flat Washer (8 of pcs)      K JCBC M6x40mm (4 of pcs)



# ASSEMBLY INSTRUCTION

## KELLY-K

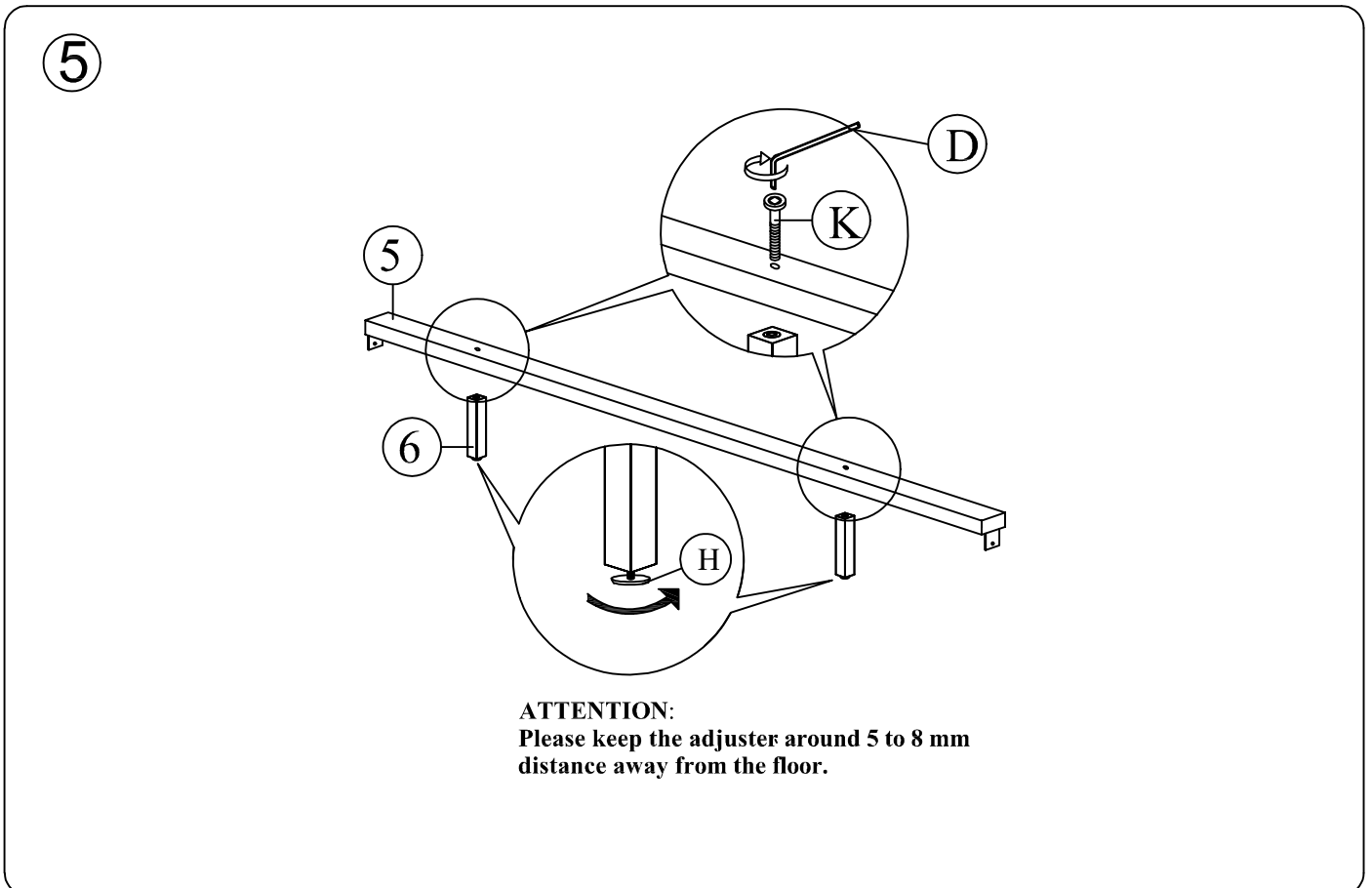
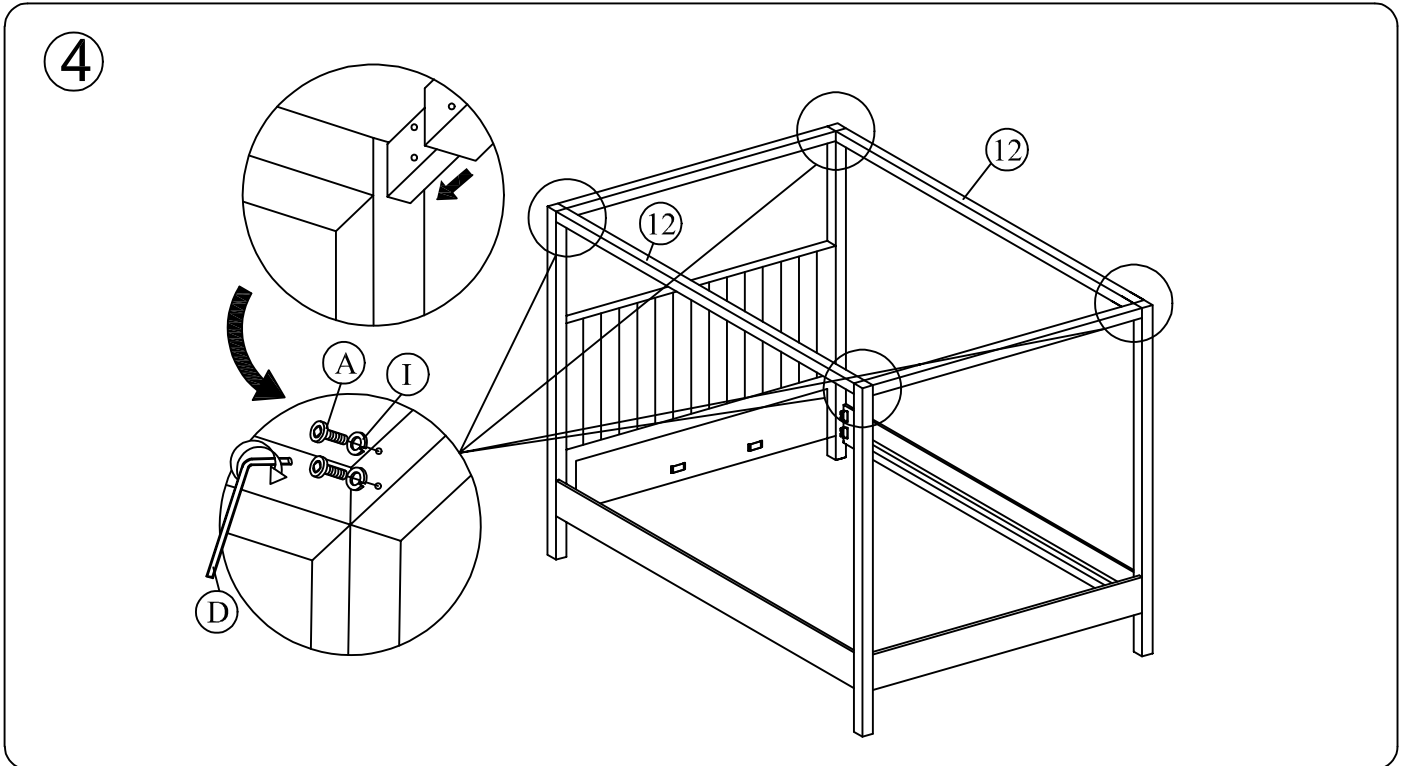


**NOTE:** For questions about parts or assembly please email

# ASSEMBLY INSTRUCTION

meridian.  
furniture

## KELLY-K



**NOTE:** For questions about parts or assembly please email

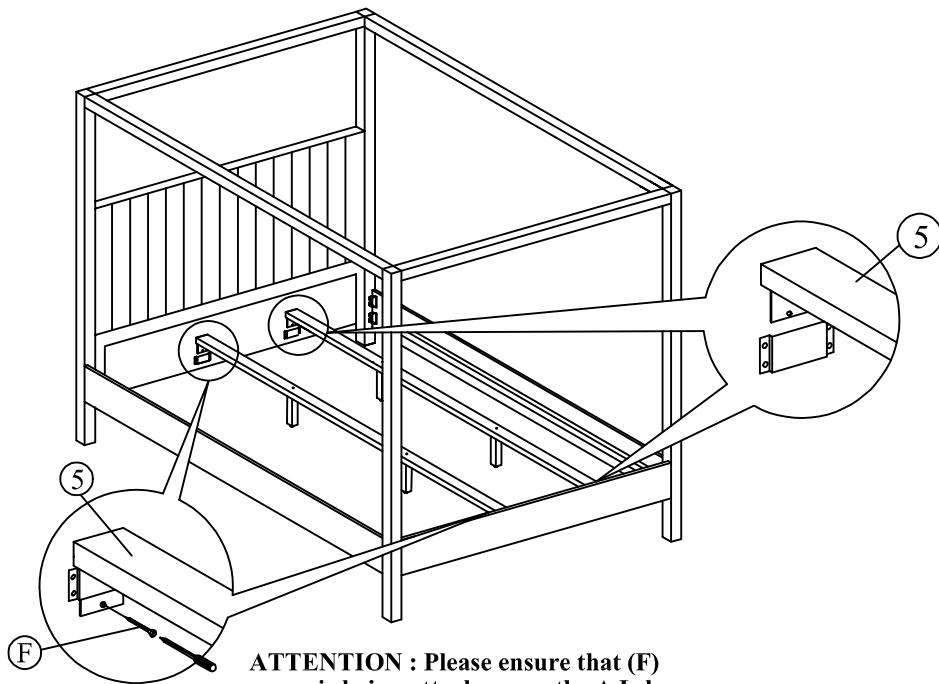
[support@meridianfurnitureusa.com](mailto:support@meridianfurnitureusa.com)

# ASSEMBLY INSTRUCTION

meridian.  
furniture

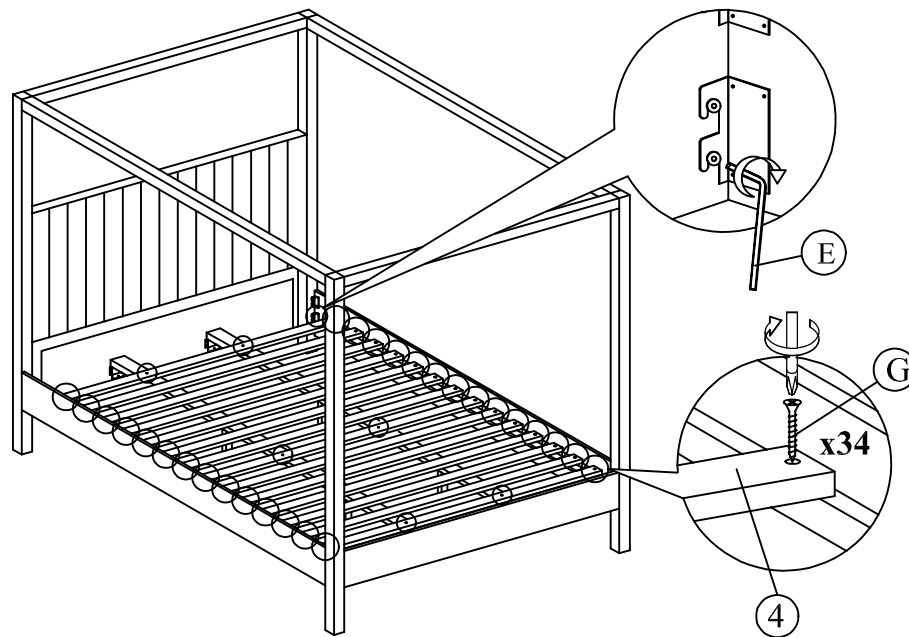
## KELLY-K

6



**ATTENTION :** Please ensure that (F) screw is being attach as per the A.I shown to avoid base being collapse.

7



**NOTE:** For questions about parts or assembly please email [support@meridianfurnitureusa.com](mailto:support@meridianfurnitureusa.com) or call us at 718-7584455

[www.MeridianFurnitureUSA.com](http://www.MeridianFurnitureUSA.com) | [support@meridianfurnitureusa.com](mailto:support@meridianfurnitureusa.com)