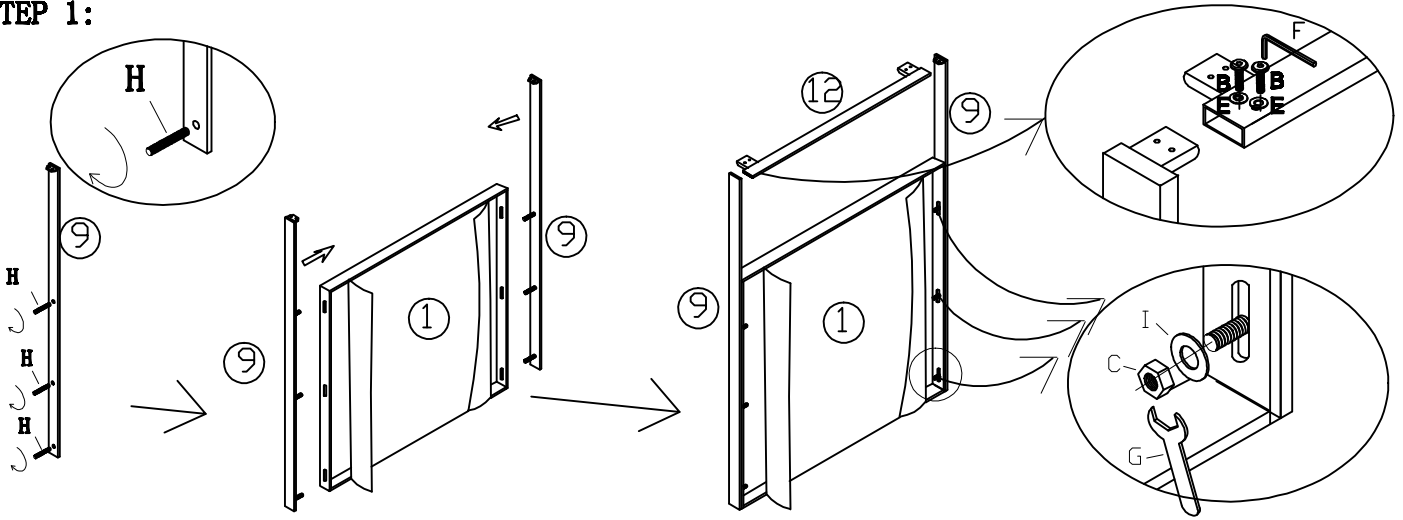


ASSEMBLY INSTRUCTIONS

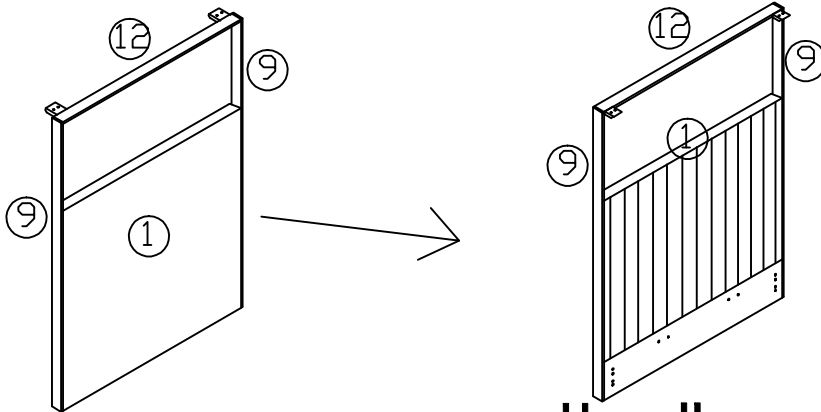
Jax/Jones - king

meridian.

STEP 1:

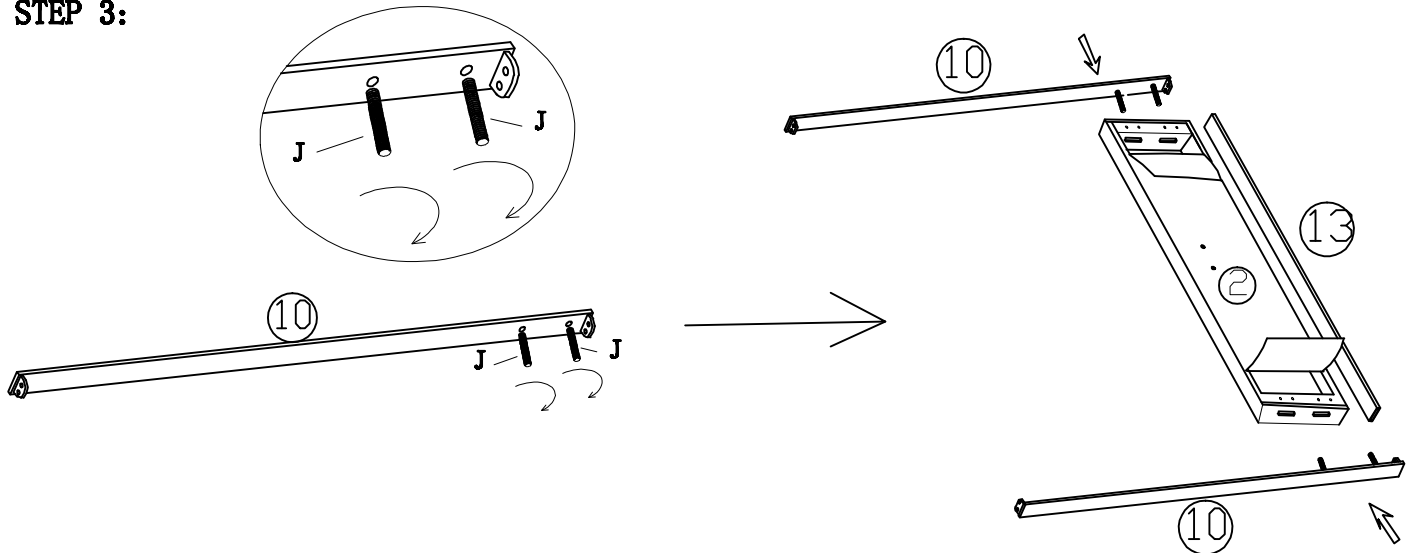


STEP 2:



Headboard is assembled

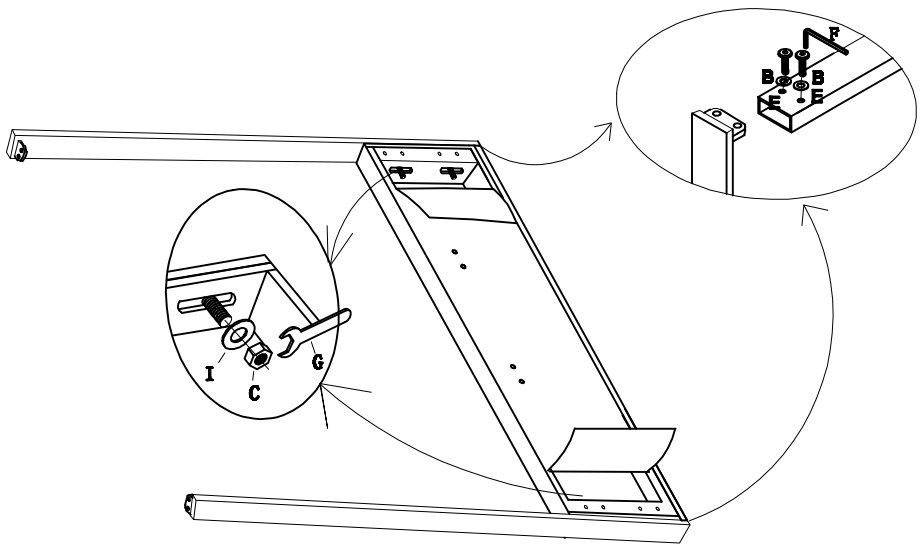
STEP 3:



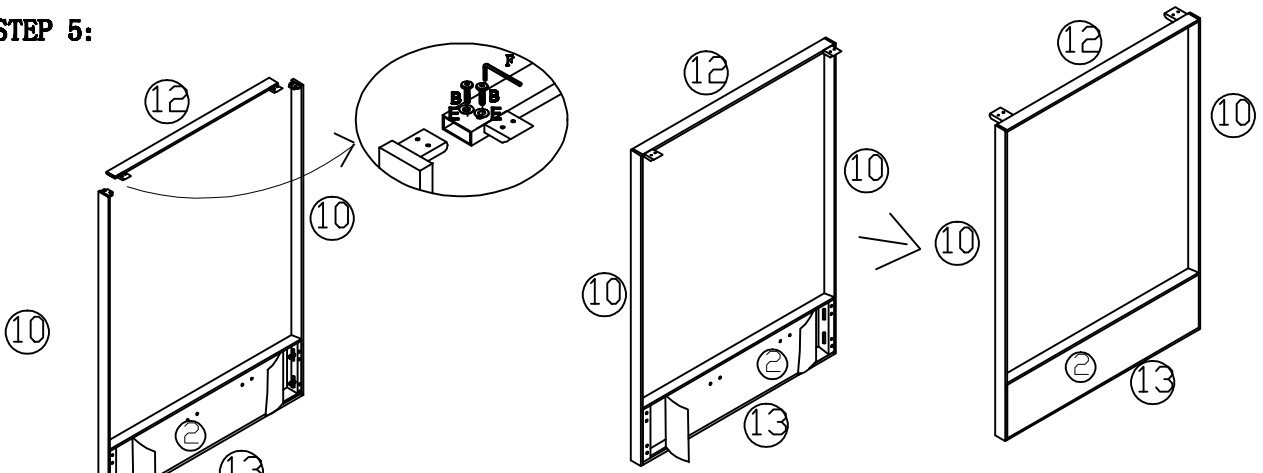
ASSEMBLY INSTRUCTIONS meridian.

Jax/Jones - king

STEP 4:

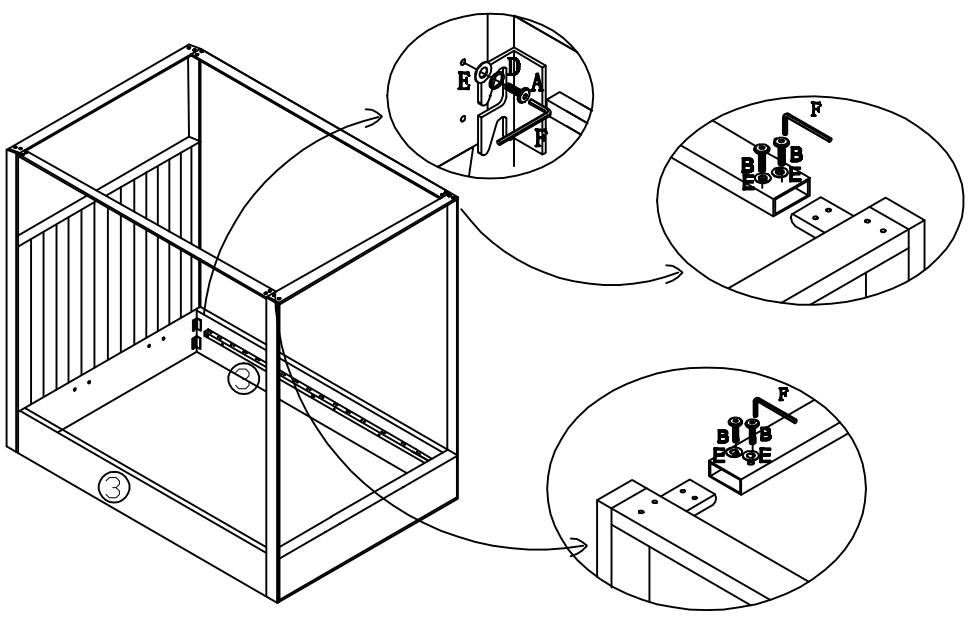


STEP 5:



Footboard is assembled

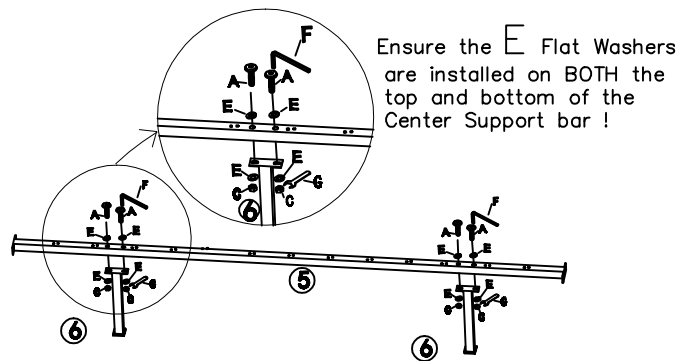
STEP 6:



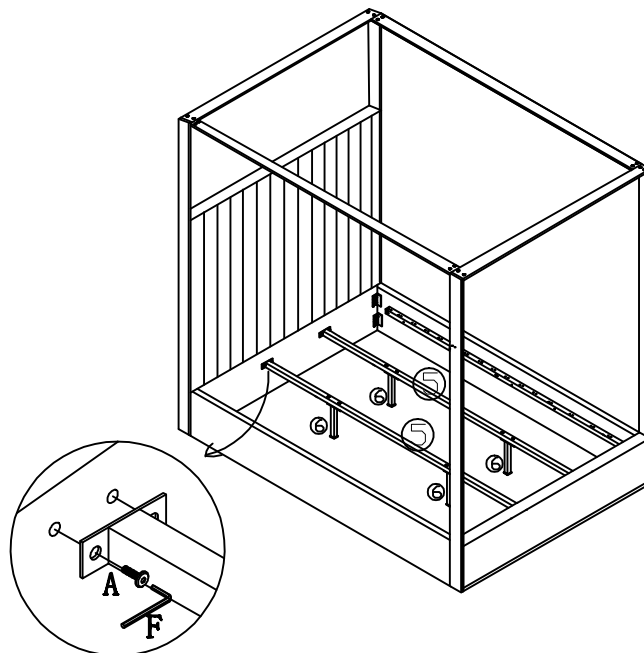
ASSEMBLY INSTRUCTIONS Jax/Jones - king

meridian.

STEP 7:

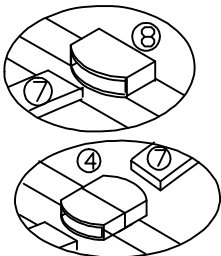


STEP 8:

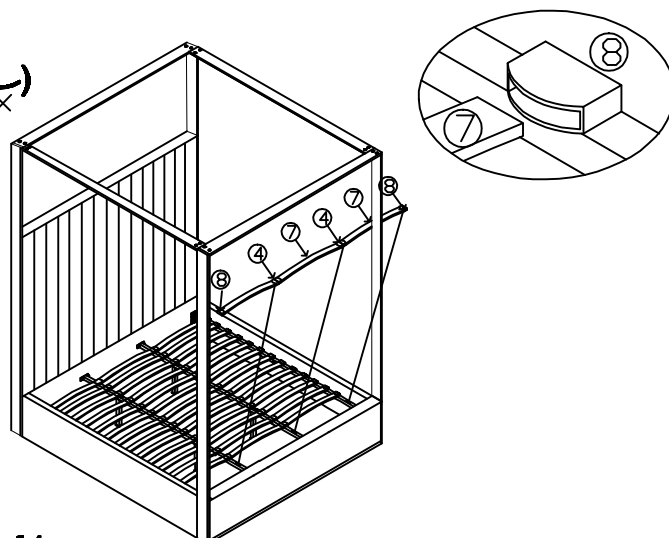


STEP 9:

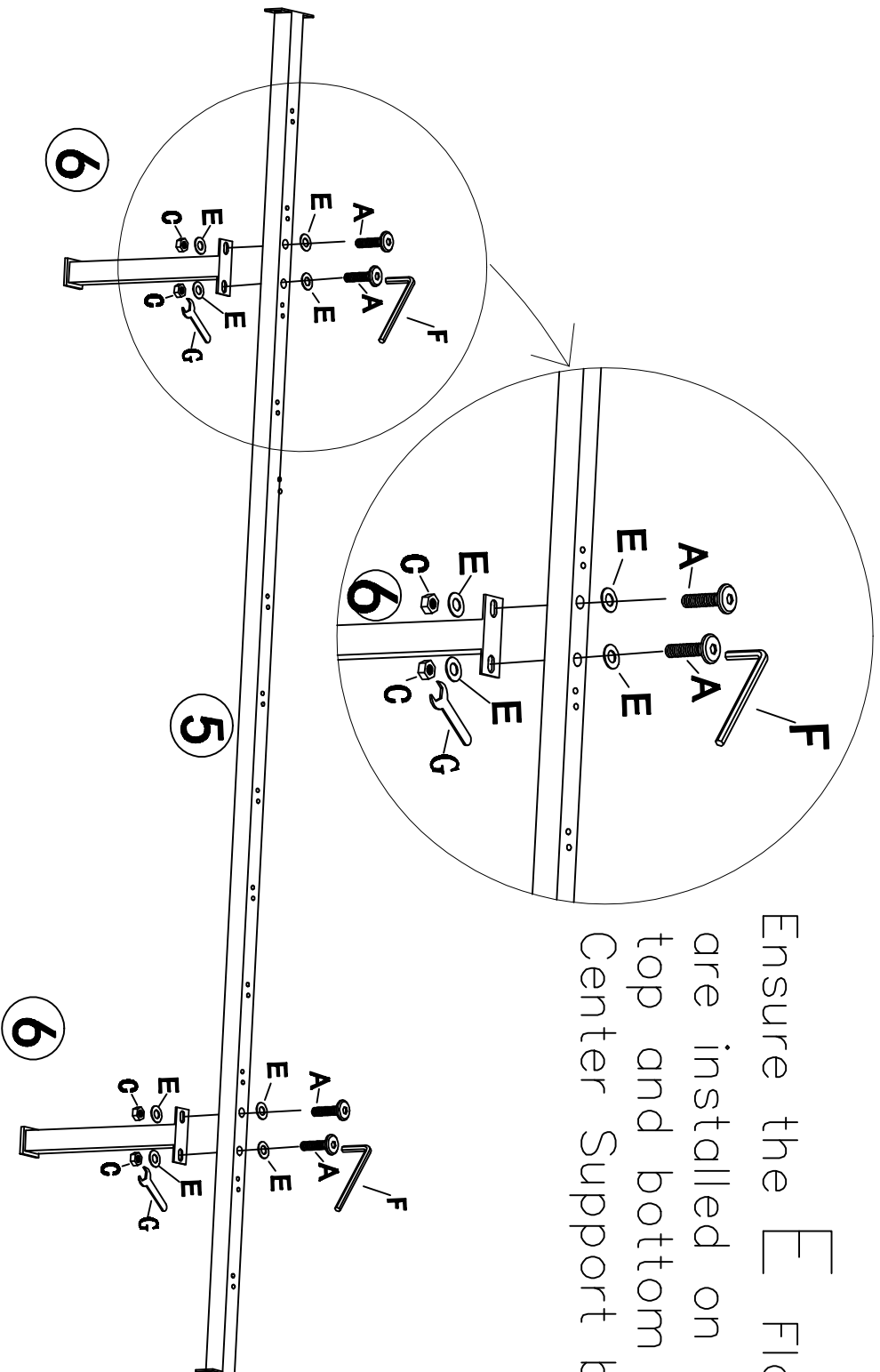
When installing slats, ensure that the curve is facing upwards. (✓) (✗)



packed in the bottom of headboard carton.

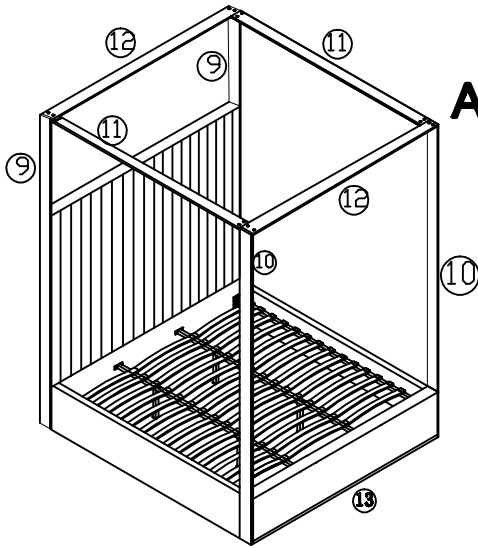


Ensure the **E** Flat Washers are installed on BOTH the top and bottom of the Center Support bar !



ASSEMBLY INSTRUCTIONS meridian.

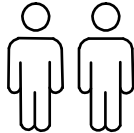
Jax/Jones BED - king



+ Do Not Use Power Tools



+ Suggested Adults



NOTE: For questions about parts or assembly please email support@meridianfurnitureusa.com or call us at 718-758-4455.

- 1 Read instructions cover to cover.
- 2 Save all packaging until assembly is completed.

1 IMPORTANT SAFETY INFORMATION

Do not assemble the product if any of the following parts arrived damaged:

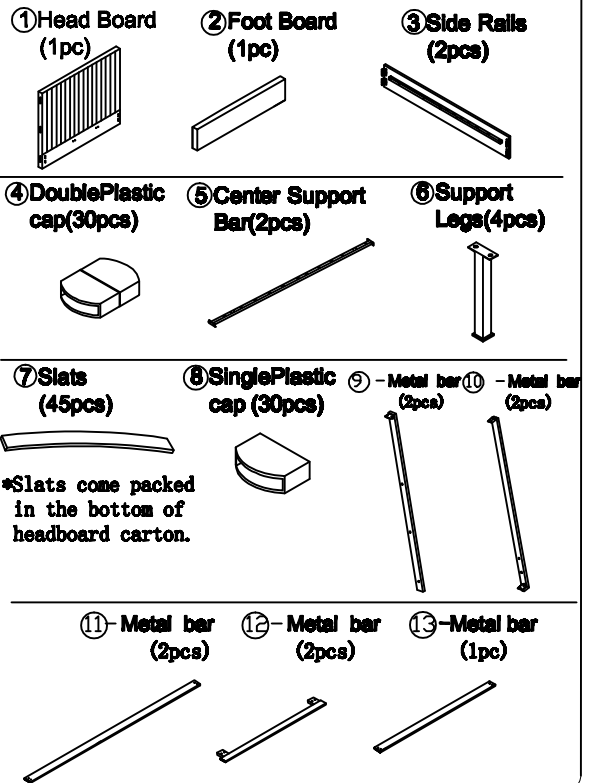
- Part # ③ -Side Rails
- Part # ⑤ -Center Support Bar
- Part # ⑥ -Support Legs
- Part # ⑦ -Side

2 IMPORTANT ASSEMBLY INFORMATION

Assembly Step ③ Ensure the side rail bracket is fully hooked onto bolt A loosely threaded with both washers on the **OUTSIDE** of the bracket first, then proceed to fully tightening all 4 corners.

Assembly Step ⑦ When installing slats, ensure that the curve is facing upwards. (↖) (↘)
 *Slats come packed in the bottom of headboard carton.

+ Parts Included



+ Hardware Included

