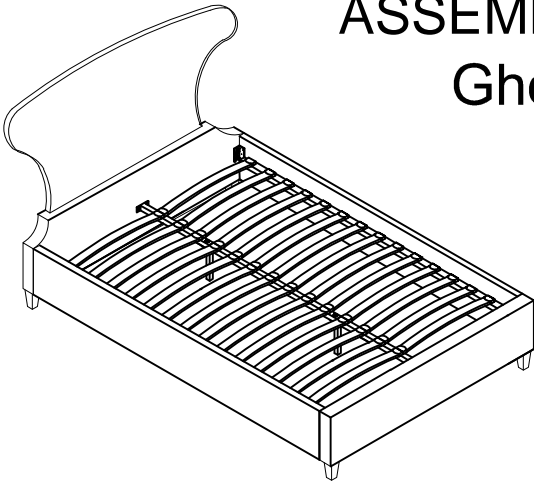


ASSEMBLY INSTRUCTIONS

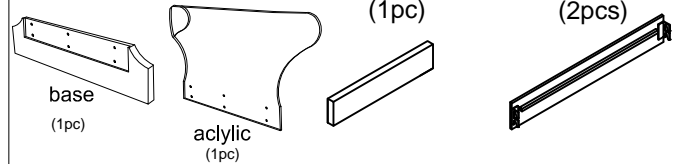
Ghost bed - queen

meridian.
furniture



+ Parts Included

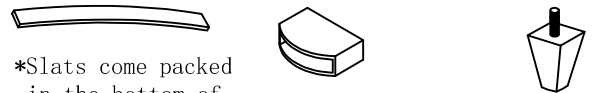
- ①-Head Board(base + acylic) ②Foot Board (1pc) ③Side Rails (2pcs)



- ④DoublePlastic cap(15pcs) ⑤Center Support Bar(1pc) ⑥Support Legs(2pcs)

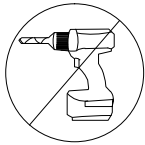


- ⑦Slats (30pcs) ⑧SinglePlastic cap (30pcs) ⑨ Legs (4pcs)

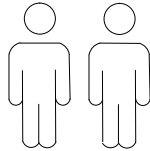


*Slats come packed in the bottom of headboard carton.

+ Do Not Use Power Tools



+ Suggested Adults



NOTE: For questions about parts or assembly please email support@meridianfurnitureusa.com or call us at 718-758-4455.

- 1 Read instructions cover to cover.
- 2 Save all packaging until assembly is completed.

1 IMPORTANT SAFETY INFORMATION

Do not assemble the product if any of the following parts arrived damaged:

- Part #③ -Side Rails
- Part #⑤ -Center Support Bar
- Part #⑥ -Support Legs
- Part #⑦ -Slats

2 IMPORTANT ASSEMBLY INFORMATION

Assembly Step ③ Ensure the side rail bracket is fully hooked onto bolt A loosely threaded with both washers on the OUTSIDE of the bracket first, then proceed to fully tightening all 4 corners.

Assembly Step ⑥ When installing slats, ensure that the curve is facing upwards. (↖) (↘)
*Slats come packed in the bottom of headboard carton.

+ Hardware Included

- A Bolt M8*40mm (22pcs) B Flat Washer ϕ 25 (6pcs)



- C Nut M8*13mm (4pcs)

- D Spring Washer (8pcs)



- E Flat Washer ϕ 20 (16pcs)

- F M8 Allen Key (1pc)



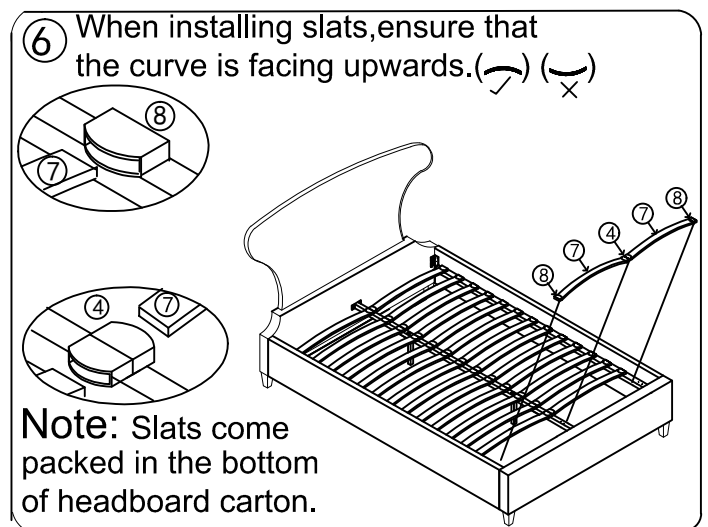
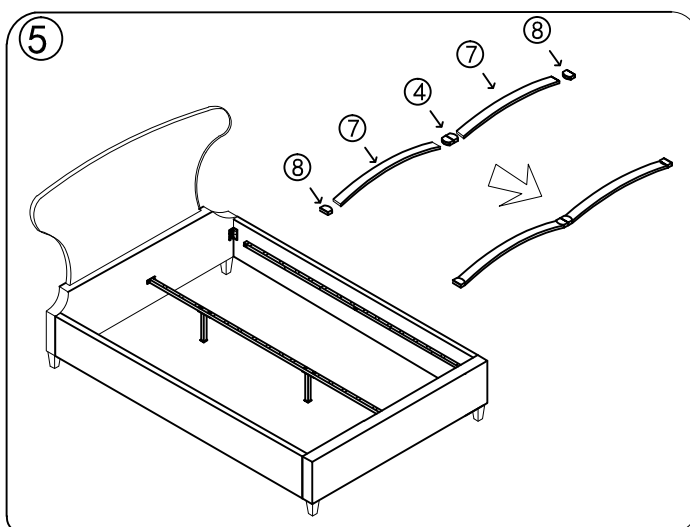
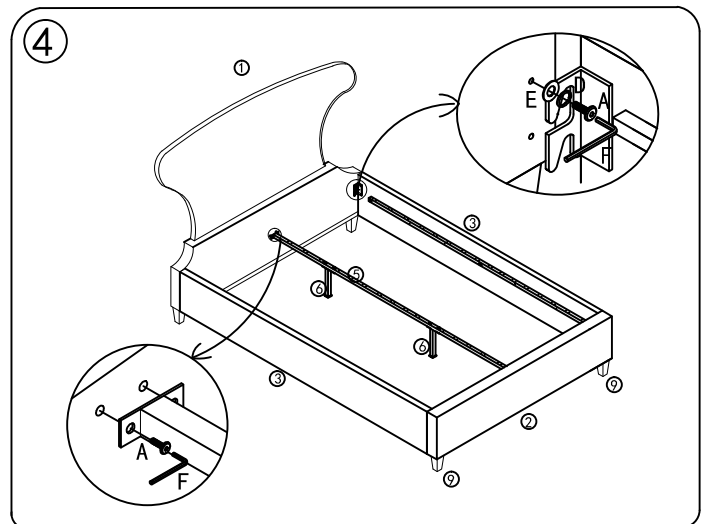
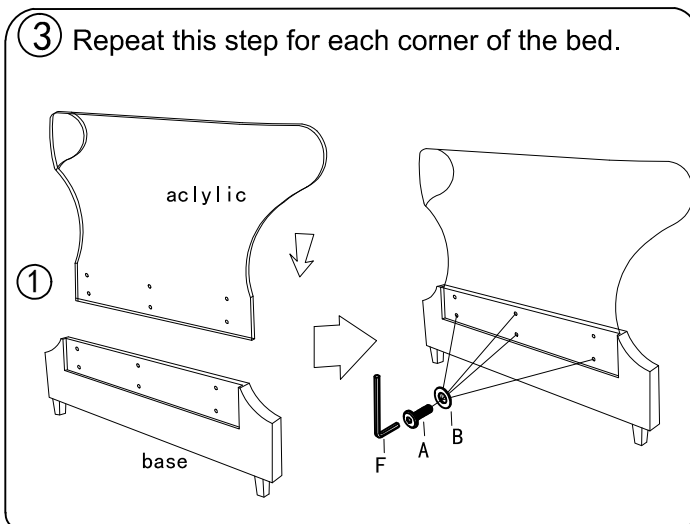
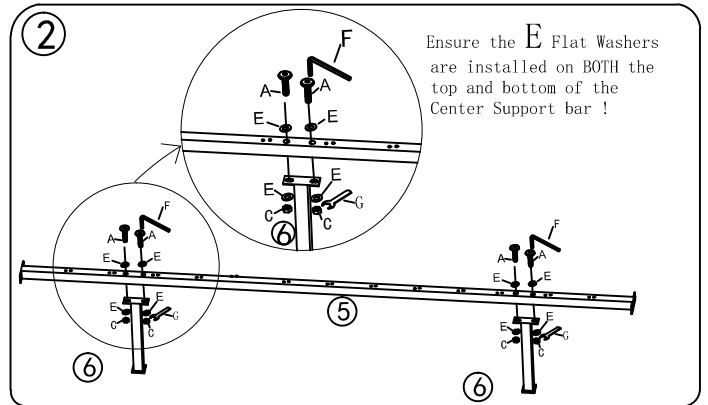
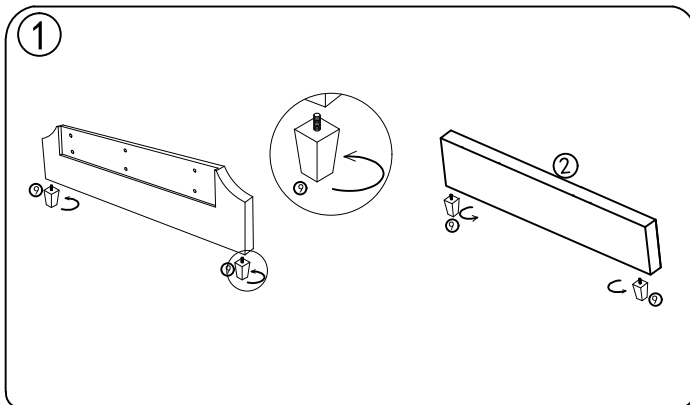
- G Spanner (1pc)



ASSEMBLY INSTRUCTIONS

Ghost bed - queen

meridian.
furniture



NOTE: For questions about parts or assembly please email support@meridianfurnitureusa.com or call us at 718-758-4455.

www.MeridianFurnitureUSA.com | support@meridianfurnitureusa.com