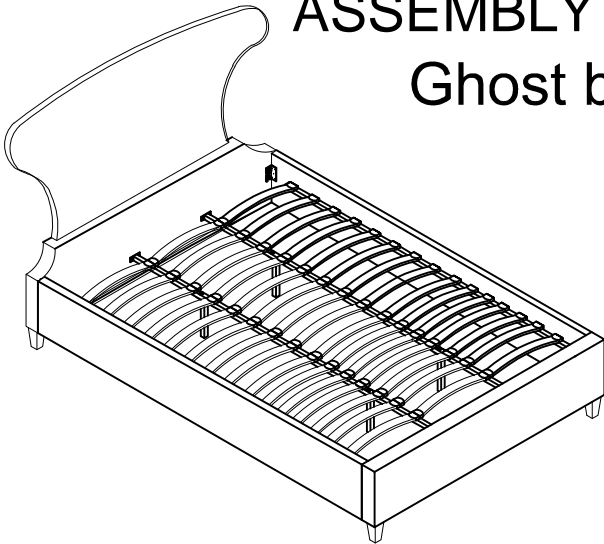


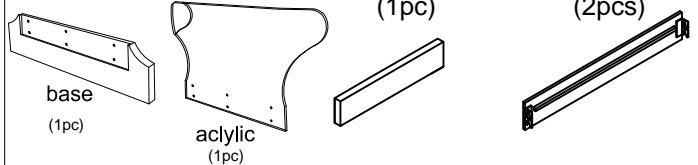
# ASSEMBLY INSTRUCTIONS **meridian.** furniture

## Ghost bed -king



### + Parts Included

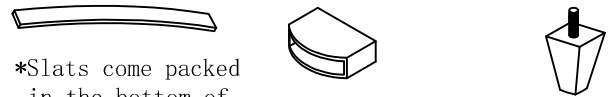
- ①-Head Board(base + acylic)    ②Foot Board (1pc)    ③Side Rails (2pcs)



- ④DoublePlastic cap(30pcs)    ⑤Center Support Bar(2pc)    ⑥Support Legs(4pcs)



- ⑦Slats (45pcs)    ⑧SinglePlastic cap (30pcs)    ⑨ Legs (4pcs)

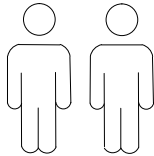


\*Slats come packed in the bottom of headboard carton.

+ Do Not Use Power Tools



+ Suggested Adults



NOTE: For questions about parts or assembly please email [support@meridianfurnitureusa.com](mailto:support@meridianfurnitureusa.com) or call us at 718-758-4455.

- 1 Read instructions cover to cover.
- 2 Save all packaging until assembly is completed.

### 1 IMPORTANT SAFETY INFORMATION

Do not assemble the product if any of the following parts arrived damaged:

- Part #③ -Side Rails
- Part #⑤ -Center Support Bar
- Part #⑥ -Support Legs
- Part #⑦ -Slats

### 2 IMPORTANT ASSEMBLY INFORMATION

Assembly Step ③ Ensure the side rail bracket is fully hooked onto bolt A loosely threaded with both washers on the OUTSIDE of the bracket first, then proceed to fully tightening all 4 corners.

Assembly Step ⑥ When installing slats, ensure that the curve is facing upwards. (↖) (✗)  
\*Slats come packed in the bottom of headboard carton.

### + Hardware Included

- A Bolt M8\*40mm ( 30pcs)    B Flat Washer  $\varnothing$  25 (6pcs)



- C Nut M8\*13mm (8pcs)

- D Spring Washer (8pcs)



- E Flat Washer  $\varnothing$  20 (24pcs)

- F M8 Allen Key ( 1pc)



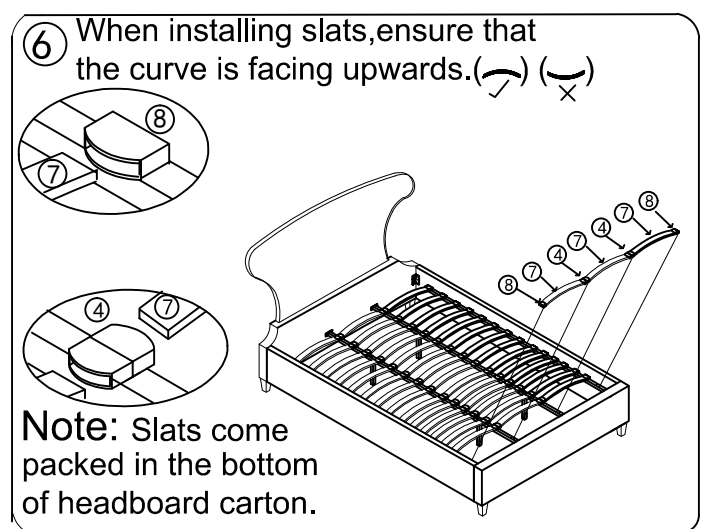
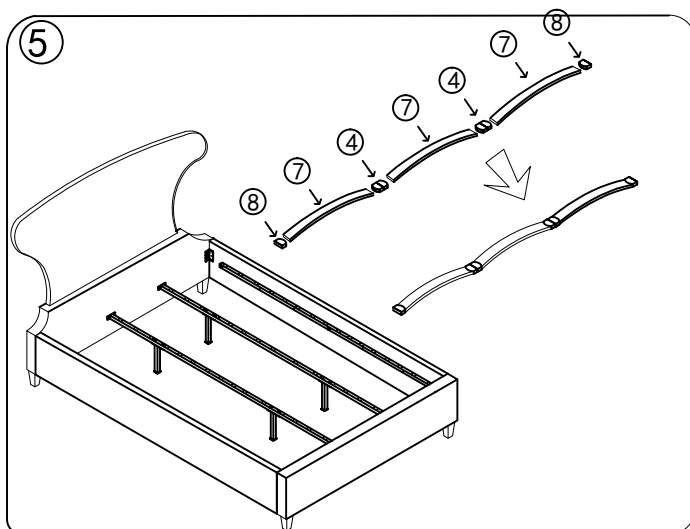
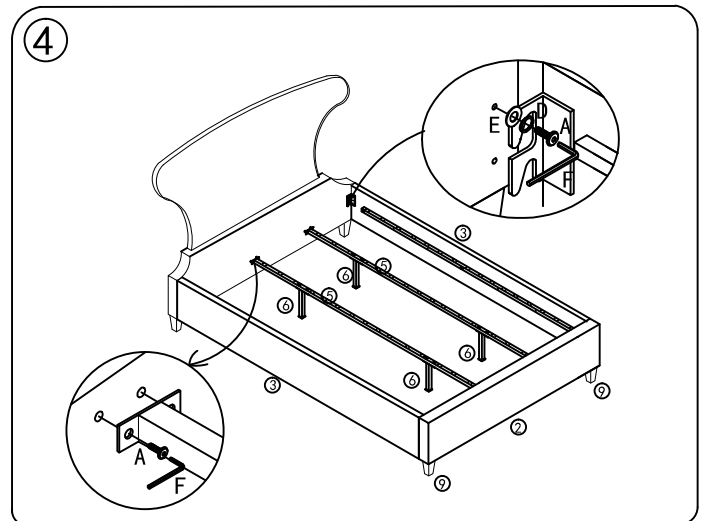
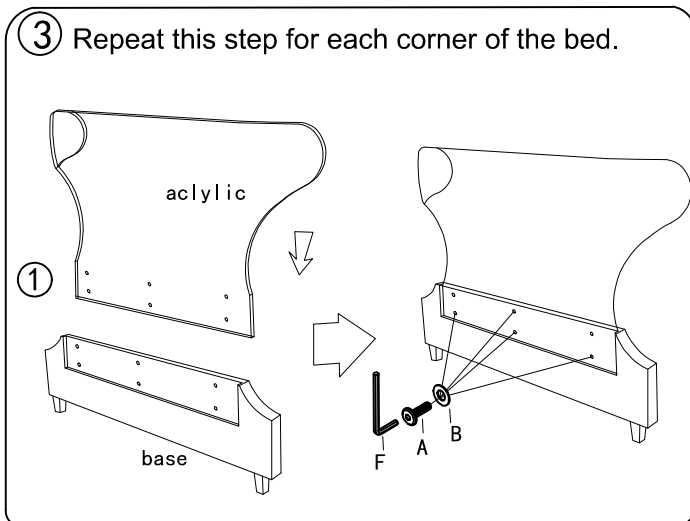
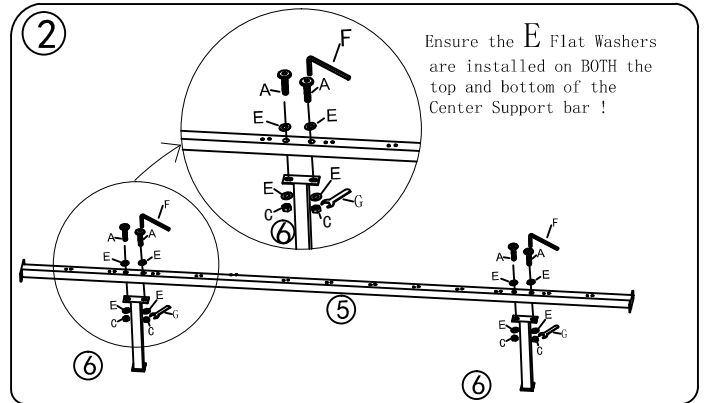
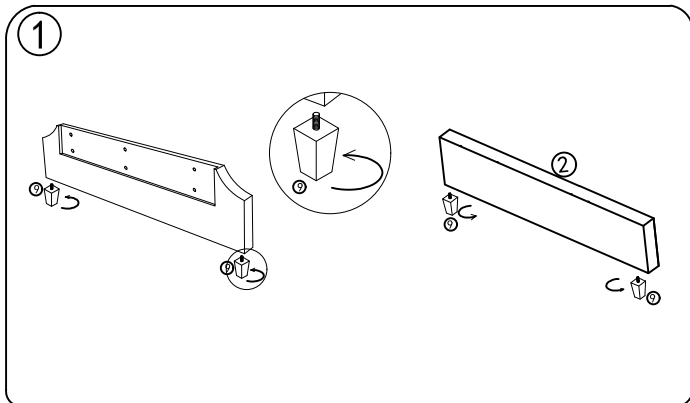
- G Spanner ( 1pc)



# ASSEMBLY INSTRUCTIONS

## Ghost bed - king

**meridian.**  
furniture



**NOTE:** For questions about parts or assembly please email [support@meridianfurnitureusa.com](mailto:support@meridianfurnitureusa.com) or call us at 718-758-4455.

[www.MeridianFurnitureUSA.com](http://www.MeridianFurnitureUSA.com) | [support@meridianfurnitureusa.com](mailto:support@meridianfurnitureusa.com)