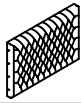
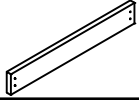
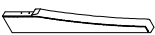


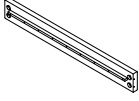
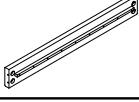
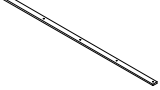
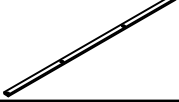
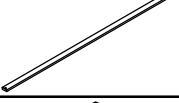

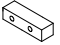










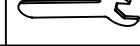




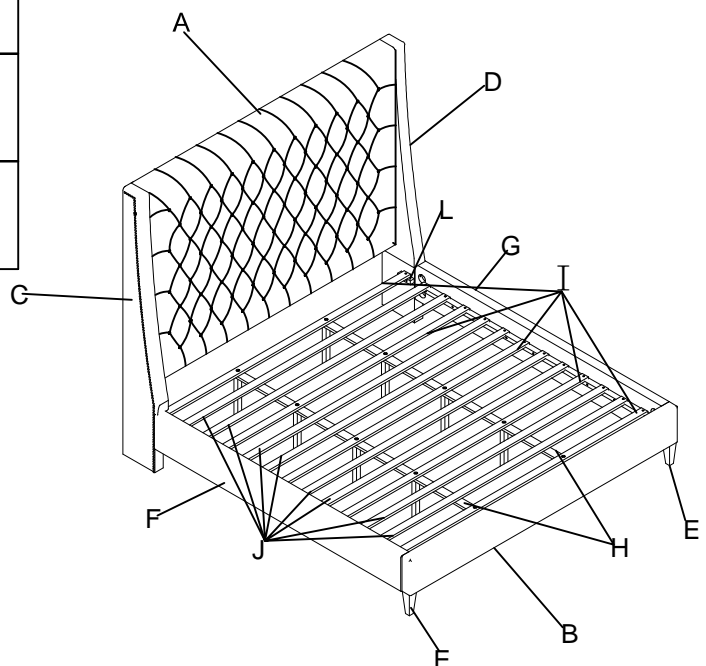
# ITEM:Fritz-K

## PART LIST

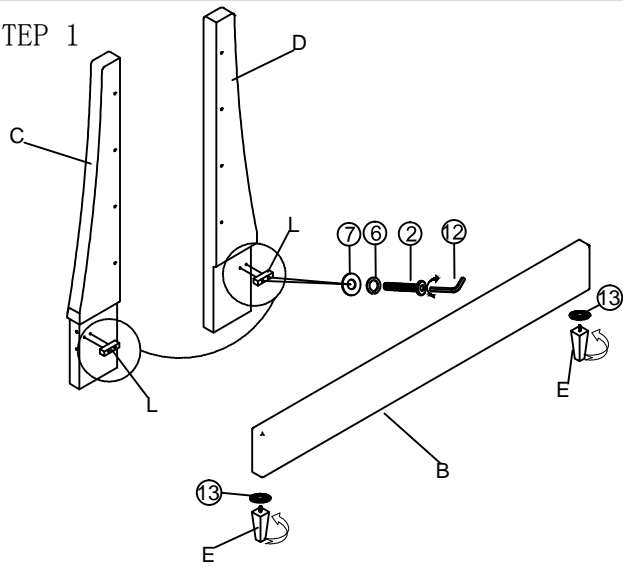
Part ID	Description	Image	Quantity
A	Headboard		1PC
B	Footboard		1PC
C	Right Ear Panel		1PC
D	Left Ear Panel		1PC
E	Legs		2PCS
F	Right Side rail		1PC
G	Left Side rail		1PC
H	Center Rail		2PCS
I	Slats Whit Hole		5PCS
J	Slats		8PCS
K	Slat Support Legs		10PCS
L	Ear Support		2PCS

## HARDWARE LIST

Item No.	Description	Image	Quantity
1	Bolt $\text{Ø}5/16'' \times 1-1/2''$		8PCS
2	Bolt $\text{Ø}1/4'' \times 2-1/4''$		14PCS
3	Screw M4 x 1-3/16''		26PCS
4	Lock Washer $\text{Ø}5/16''$		8PCS
5	Flat Washer $\text{Ø}5/16''$		8PCS
6	Lock Washer $\text{Ø}1/4''$		14PCS
7	Flat Washer $\text{Ø}1/4''$		14PCS
8	Bolt $\text{Ø}5/16'' \times 3''$		8PCS
9	Nut 5/16''		8PCS
10	Curved Washer		8PCS
11	Wrench 5/16''		1PC
12	Allen Wrench M4		1PC
13	Anti Slip Sheet		2PCS

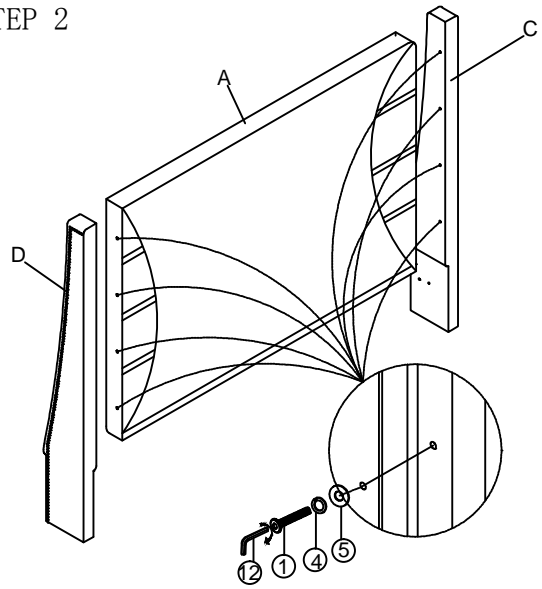


STEP 1

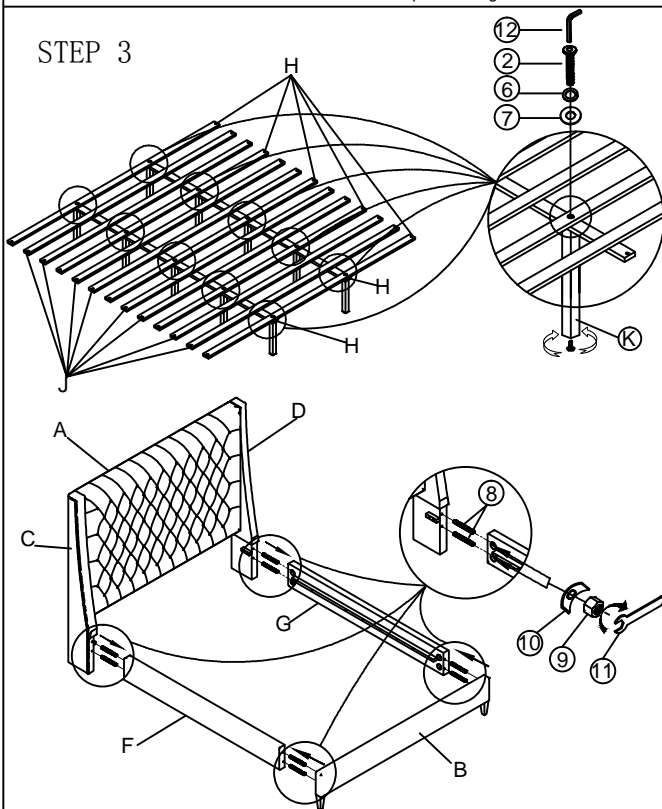


Notice: Assembly the taped wood leg with plastic ring into Headboard/Footboard bottom. Be tighten and keep the wood leg direction aline with headboard/Footboard. See illustration and Simple drawing.

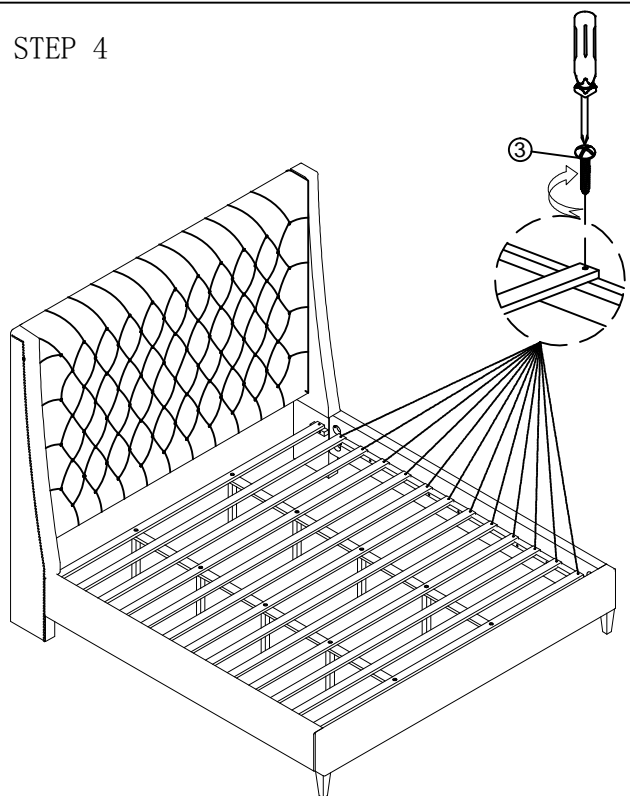
STEP 2



STEP 3



STEP 4



STEP 5

