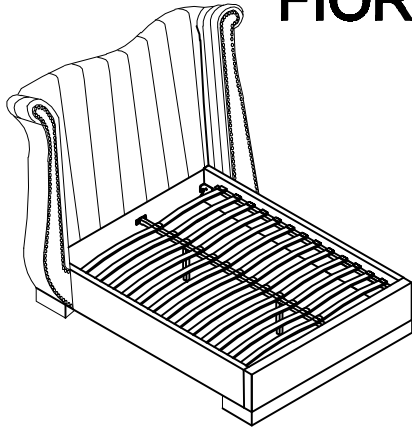
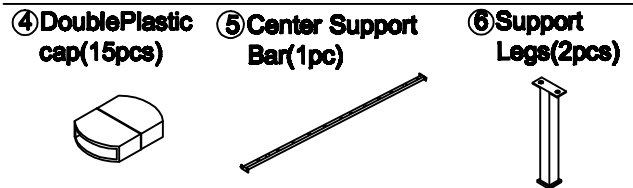
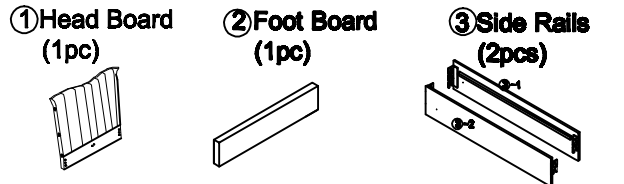


ASSEMBLY INSTRUCTIONS **meridian.** furniture

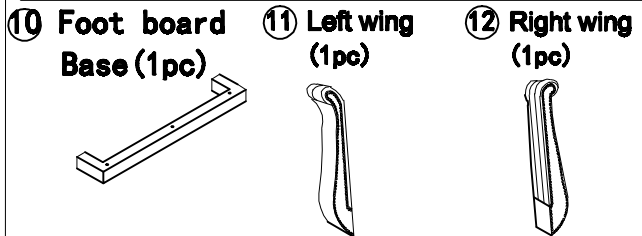
FIORA BED - QUEEN



+ Parts Included

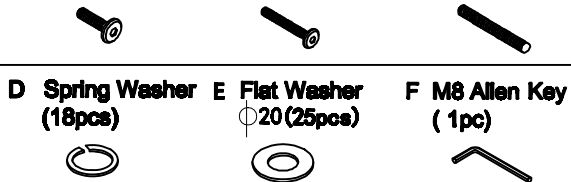


*Slats come packed in the bottom of headboard carton.



+ Hardware Included

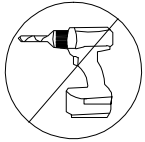
A Bolt M8*30mm (18pcs) B Bolt M8*120mm (7pcs) C Bolt M8*125mm (8pcs)



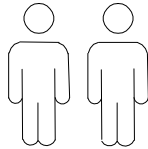
J Spanner (1pc)



+ Do Not Use Power Tools



+ Suggested Adults



NOTE: For questions about parts or assembly please email support@meridianfurnitureusa.com or call us at 718-758-4455.

- 1 Read instructions cover to cover.
- 2 Save all packaging until assembly is completed.

1 IMPORTANT SAFETY INFORMATION

Do not assemble the product if any of the following parts arrived damaged:

- Part #③ -Side Rails
- Part #⑤ -Center Support Bar
- Part #⑥ -Support Legs
- Part #⑦ -Slats

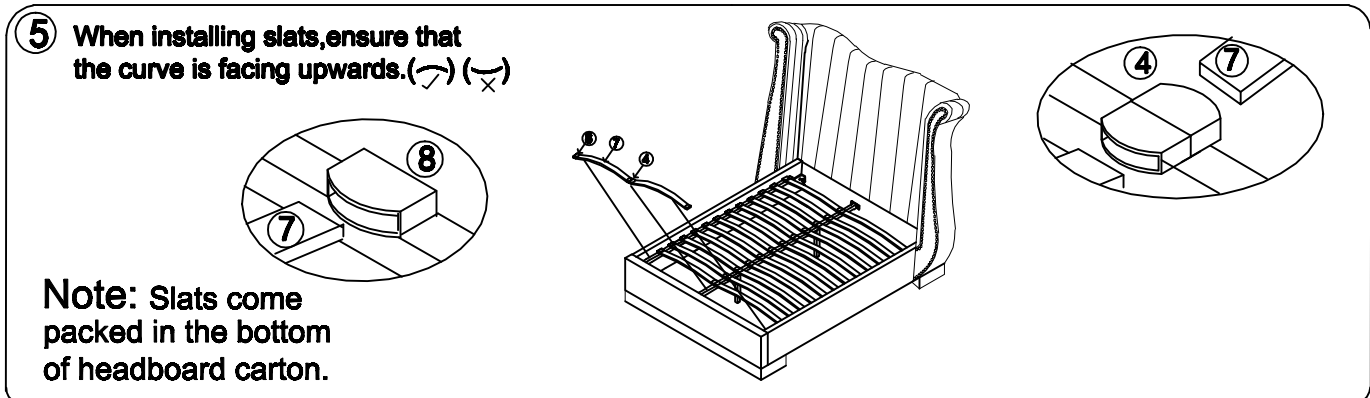
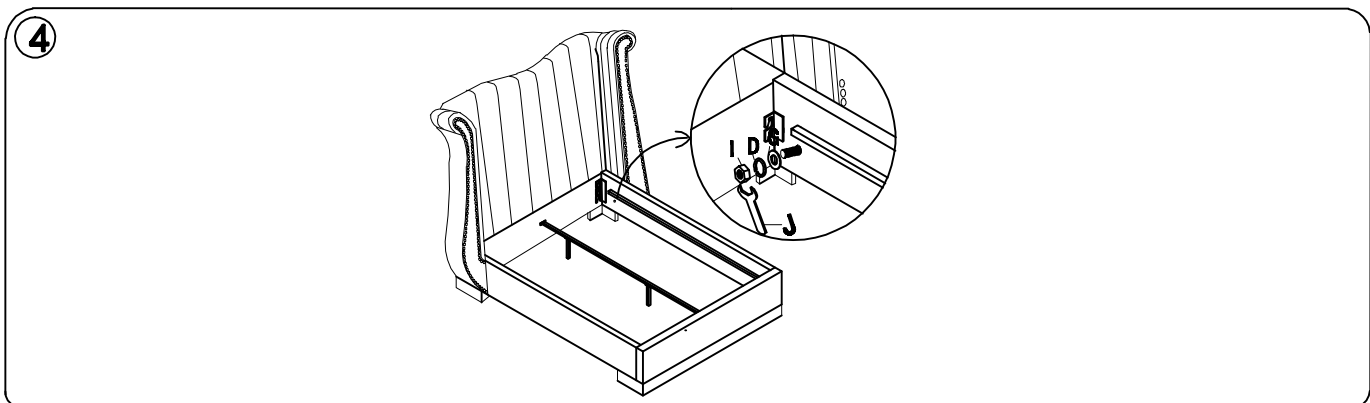
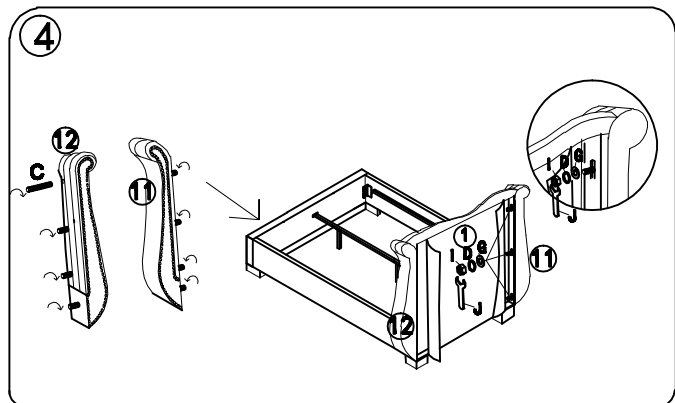
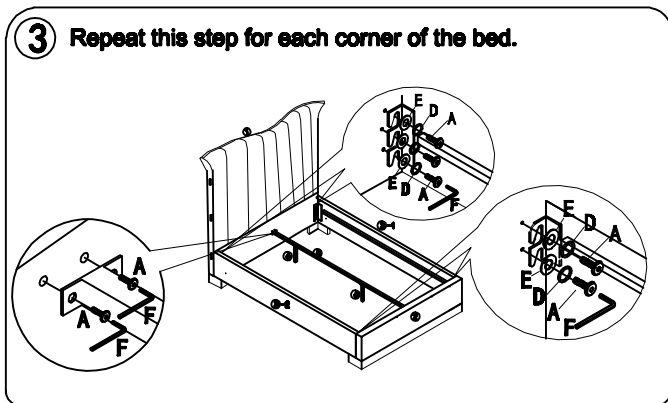
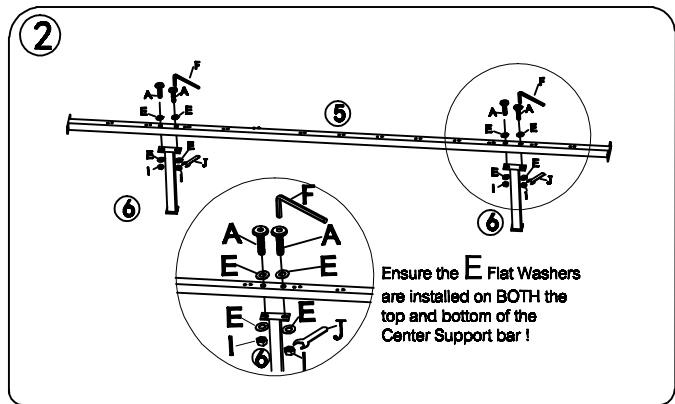
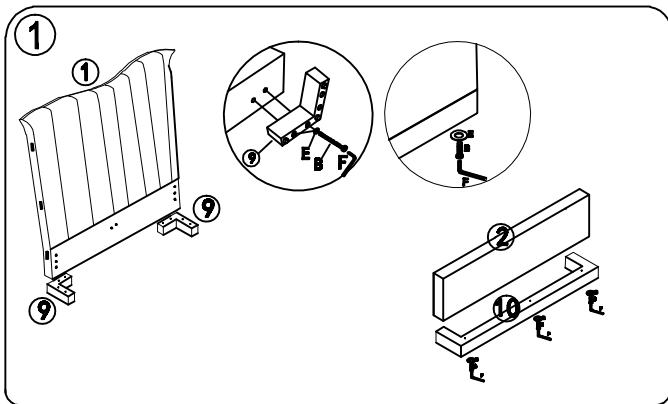
2 IMPORTANT ASSEMBLY INFORMATION

Assembly Step ③ Ensure the side rail bracket is fully hooked onto bolt A loosely threaded with both washers on the OUTSIDE of the bracket first, then proceed to fully tightening all 4 corners.

Assembly Step ⑥ When installing slats, ensure that the curve is facing upwards. (→) (↘)
*Slats come packed in the bottom of headboard carton.

ASSEMBLY INSTRUCTIONS **meridian.** furniture

FIORA BED - QUEEN



NOTE: For questions about parts or assembly please email support@meridianfurnitureusa.com or call us at 718-758-4455.
www.MeridianFurnitureUSA.com | support@meridianfurnitureusa.com