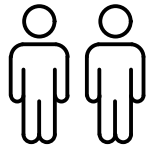




+ Do Not Use Power Tools



+ Suggested Adults



NOTE: For questions about parts or assembly please email support@meridianfurnitureusa.com or call us at 718-758-4455.

- 1 Read instructions cover to cover.
- 2 Save all packaging until assembly is completed.

1 IMPORTANT SAFETY INFORMATION

Do not assemble the product if any of the following parts arrived damaged:

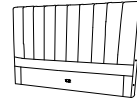
1. Headboard Panel
2. Footboard Panel
3. Wing Left
4. Side Rail Left
5. Wing Right
6. Side Rail Right
7. Side Rail LVL Front
8. Side Rail LVL Back
9. Slat Support
10. Support Leg
11. Slat(13pcs)
12. Leg

2 IMPORTANT ASSEMBLY INFORMATION

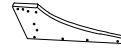
Assembly Step Ensure the side rail bracket is fully hooked onto bolt loosely threaded with both washers on the OUTSIDE of the bracket first, then proceed to fully tightening all 4 corners.

+ Parts Included

- ① Headboard Panel (1 pc) ② Footboard Panel (1 pc)



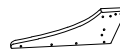
- ③ Wing Left (1 pc)



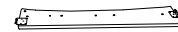
- ④ Side Rail Left (1 pc)



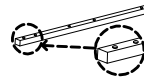
- ⑤ Wing Right (1 pc)



- ⑥ Side Rail Right (1 pc)



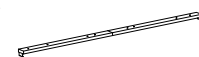
- ⑦ Side Rail LVL Front (2 pcs)



- ⑧ Side Rail LVL Back (2 pcs)



- ⑨ Slat Support (1 pc)



- ⑩ Support Leg (4 pcs)



- ⑪ Slat(13pcs) (1 pc)



- ⑫ Leg (4 pcs)

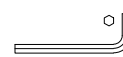


+ Hardware Included

- A. Allen Key M4 (1 pc)



- B. Allen Key M5 (1 pc)



- C. Spanner 12.8mm (1 pc)



- D. Side Rail Connect (2 pcs)



- E. Bracket 4002 (2 pcs)



- F. Hex Nut $\frac{5}{16}$ (2 pcs)



- G. JCBC Bolt M6 x 25mm (8 pcs)



- H. JCBC Bolt M6 x 35mm (8 pcs)



- I. JCBC Bolt M6 x 50mm (26 pcs)



- J. JCBB Bolt M8 x 16mm (8 pcs)



- K. Spring Washer M8 (12 pcs)



- L. Flat Washer M6 (8 pcs)



- M. CBS Screw M4 x 16mm (4 pcs)



- N. CBS Screw M4 x 25mm (8 pcs)



- O. CBS Screw M4 x 32mm (6 pcs)

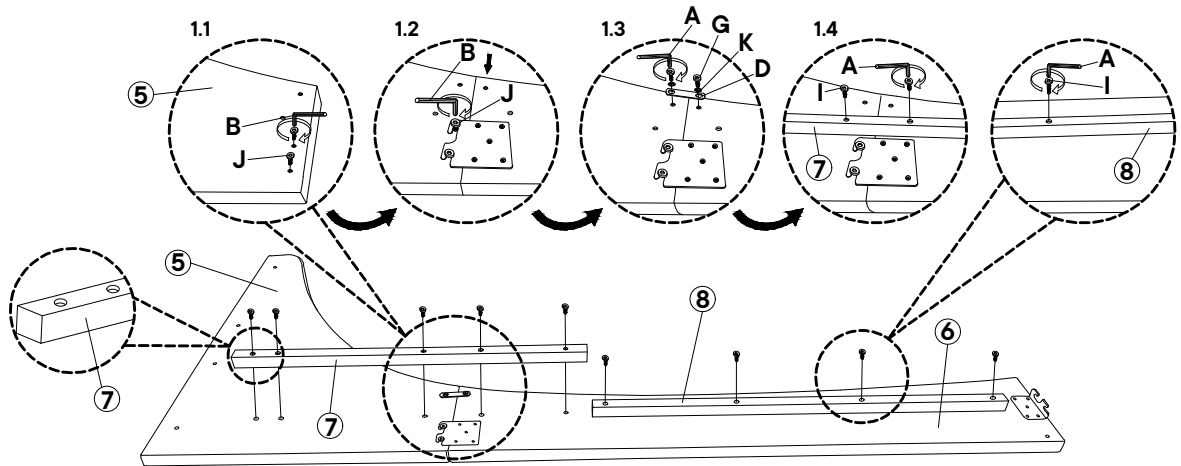


ASSEMBLY INSTRUCTIONS

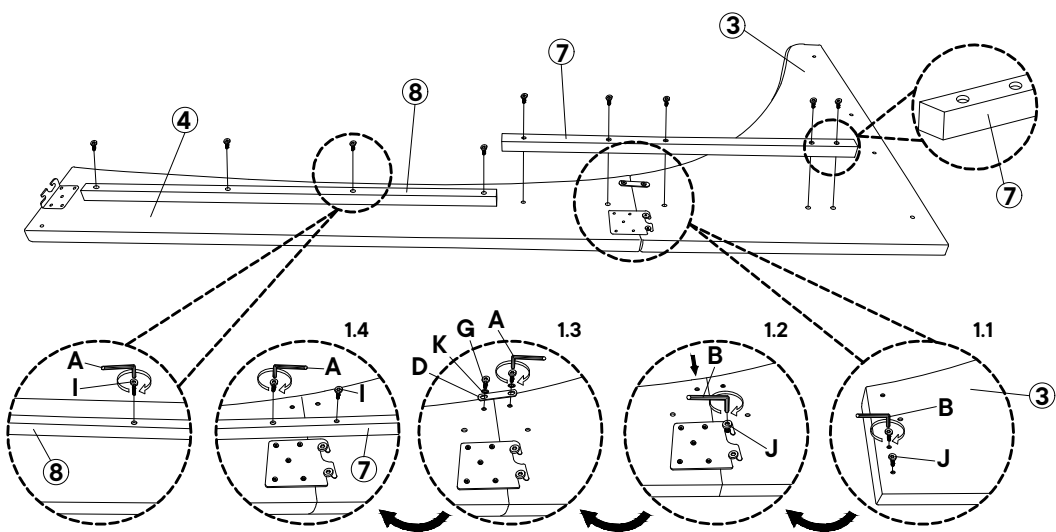
EVA - FULL

meridian.
furniture

1



2

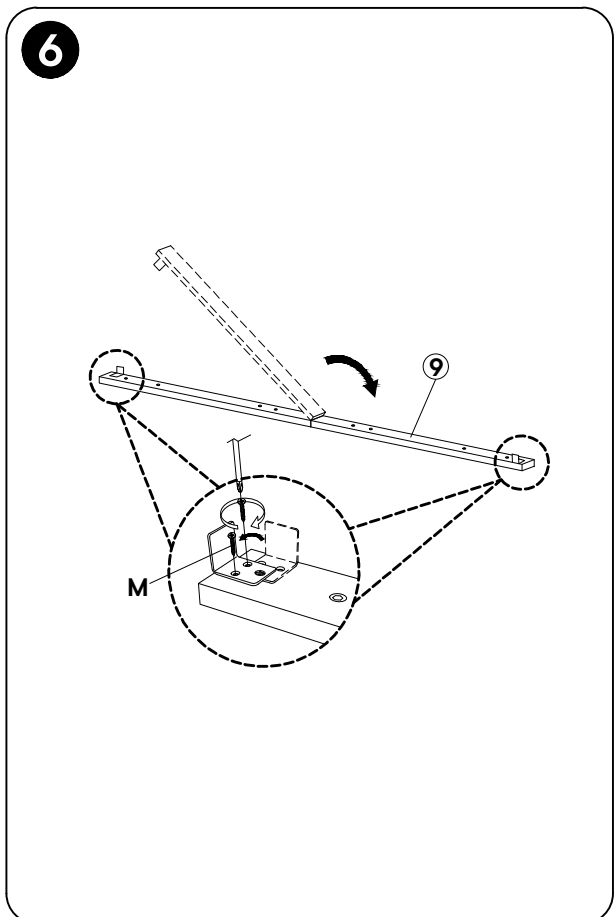
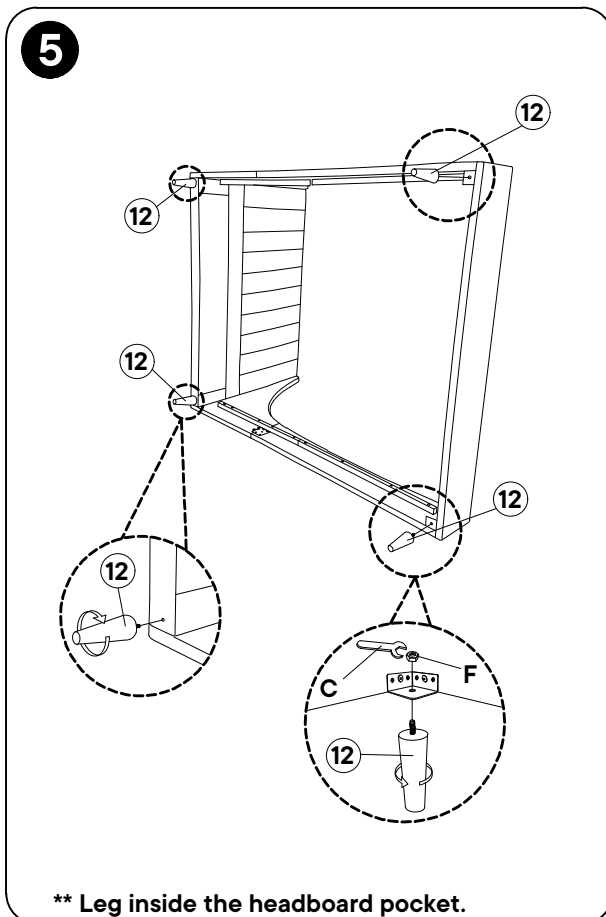
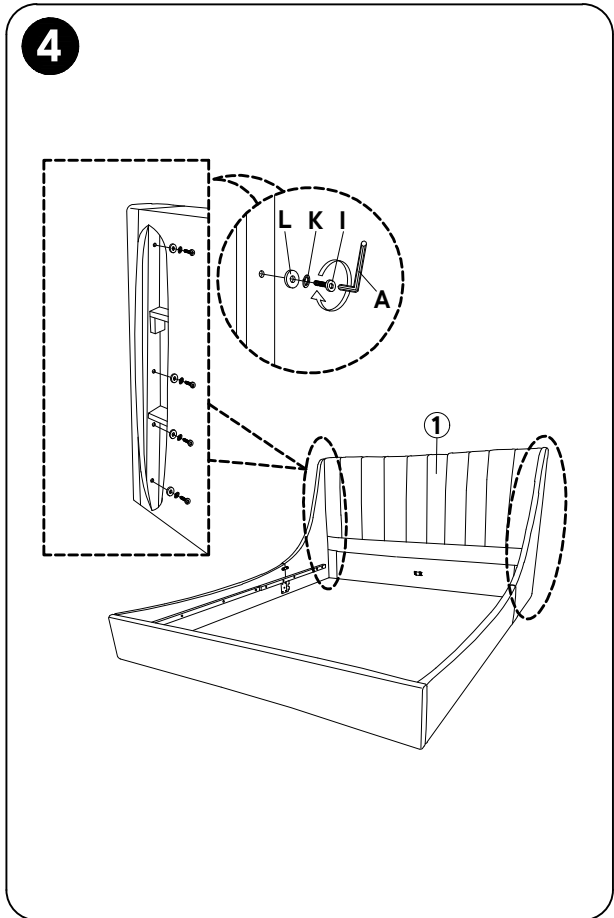
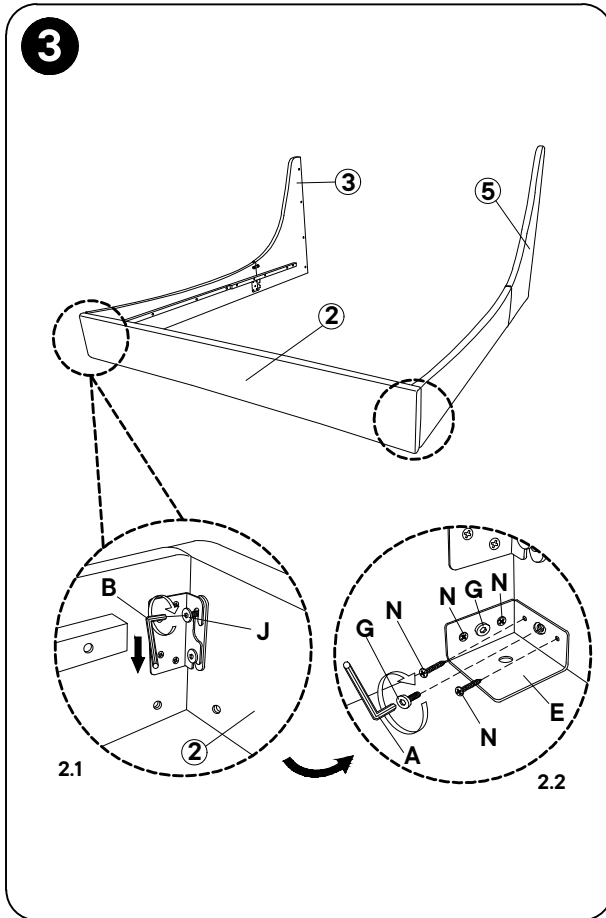


NOTE: For questions about parts or assembly please email support@meridianfurnitureusa.com or call us at 718-758-4455
www.MeridianFurnitureUSA.com | support@meridianfurnitureusa.com

ASSEMBLY INSTRUCTIONS

EVA - FULL

meridian.
furniture



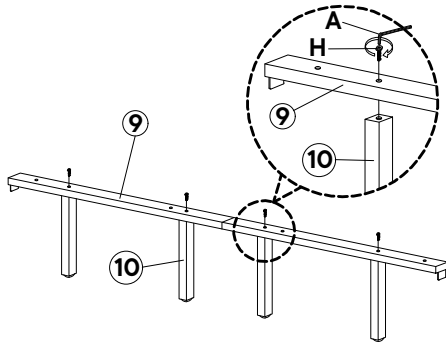
NOTE: For questions about parts or assembly please email support@meridianfurnitureusa.com or call us at 718-758-4455
www.MeridianFurnitureUSA.com | support@meridianfurnitureusa.com

ASSEMBLY INSTRUCTIONS

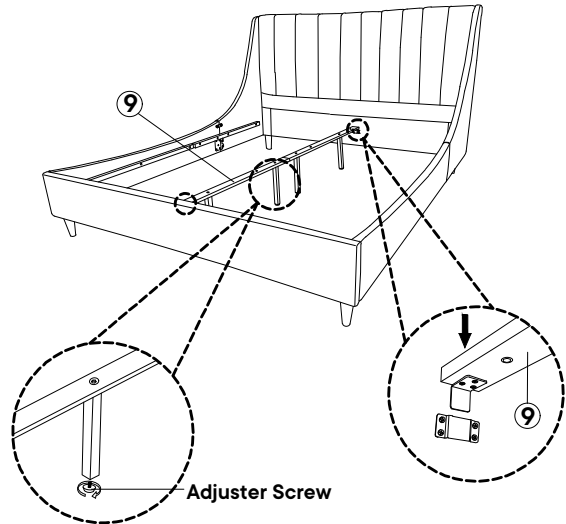
EVA - FULL

meridian.
furniture

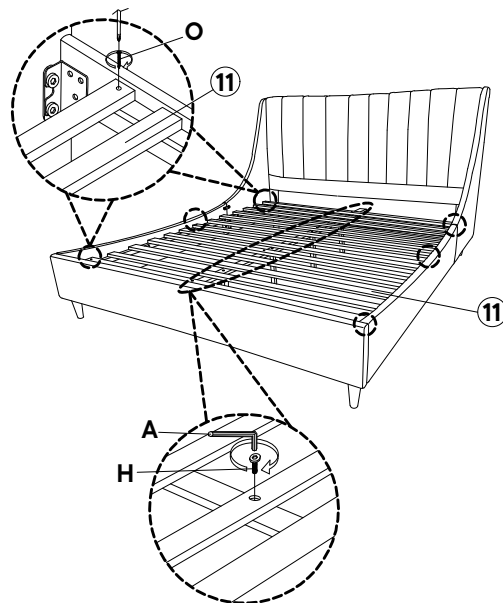
7



8



9



NOTE: For questions about parts or assembly please email support@meridianfurnitureusa.com or call us at 718-758-4455
www.MeridianFurnitureUSA.com | support@meridianfurnitureusa.com