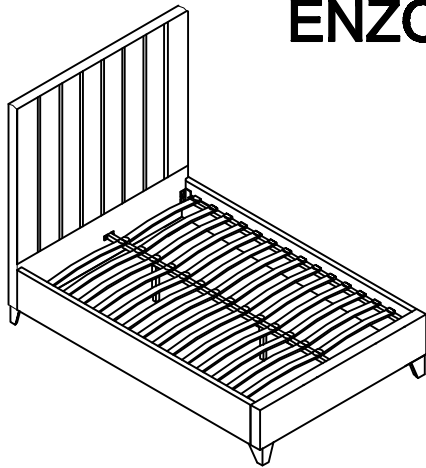


# ASSEMBLY INSTRUCTIONS

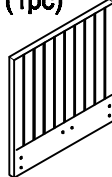
## ENZO BED - FULL

**meridian.**  
furniture

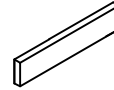


### + Parts Included

① Head Board (1pc)



② Foot Board (1pc)



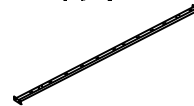
③ Side Rails (2pcs)



④ Double Plastic cap (14pcs)



⑤ Center Support Bar (1pc)



⑥ Support Legs (2pcs)



⑦ Slats (28pcs)



⑧ Single Plastic cap (28pcs)

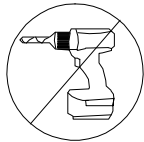


⑨ Legs (4pcs)

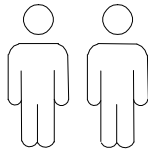


\*Slats come packed in the bottom of headboard carton.

### + Do Not Use Power Tools



### + Suggested Adults



**NOTE:** For questions about parts or assembly please email [support@meridianfurnitureusa.com](mailto:support@meridianfurnitureusa.com) or call us at 718-758-4455.

- 1 Read instructions cover to cover.
- 2 Save all packaging until assembly is completed.

### 1 IMPORTANT SAFETY INFORMATION

Do not assemble the product if any of the following parts arrived damaged:

- Part # ③ -Side Rails
- Part # ⑤ -Center Support Bar
- Part # ⑥ -Support Legs
- Part # ⑦ -Slats

### 2 IMPORTANT ASSEMBLY INFORMATION

**Assembly Step ③** Ensure the side rail bracket is fully hooked onto bolt A loosely threaded with both washers on the OUTSIDE of the bracket first, then proceed to fully tightening all 4 corners.

**Assembly Step ④** When installing slats, ensure that the curve is facing upwards. (→) (↘)  
\*Slats come packed in the bottom of headboard carton.

### + Hardware Included

A Bolt M8\*30mm (16pcs)



B Bolt M6\*25mm (8pcs)



C Spring Washer (8pcs)



E Flat Washer 20 (24pcs)



F M8 Allen Key (1pc)



G M4 Allen Key (1pc)



I Nut M8\*13mm (4pcs)

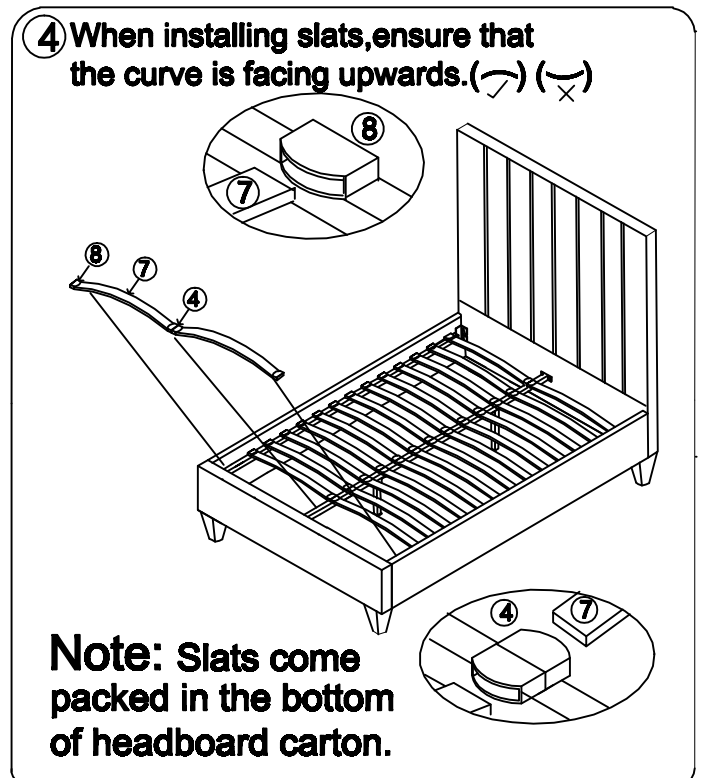
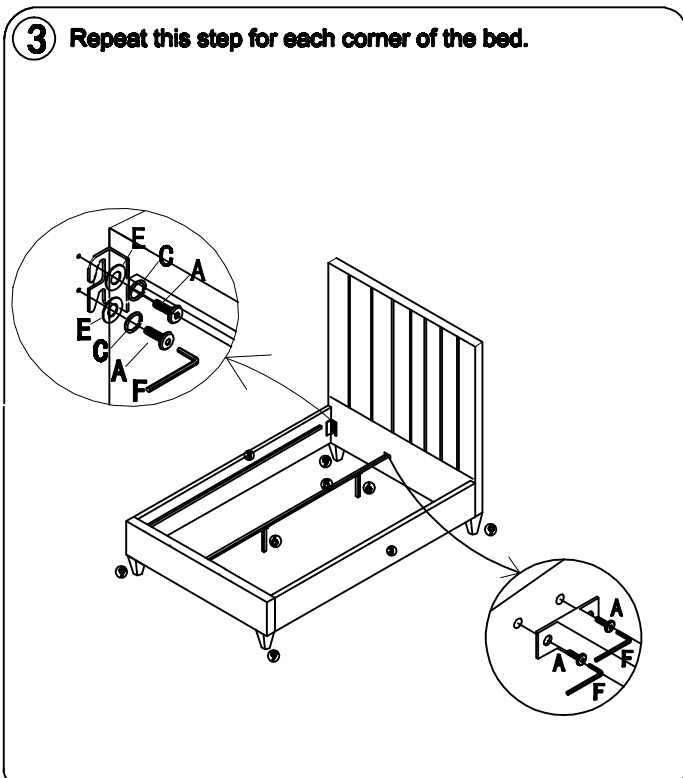
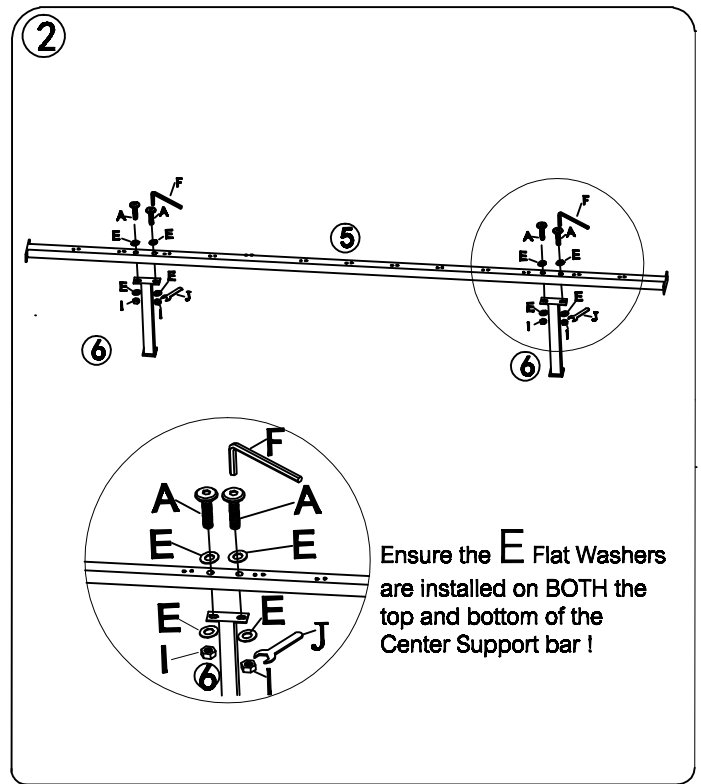
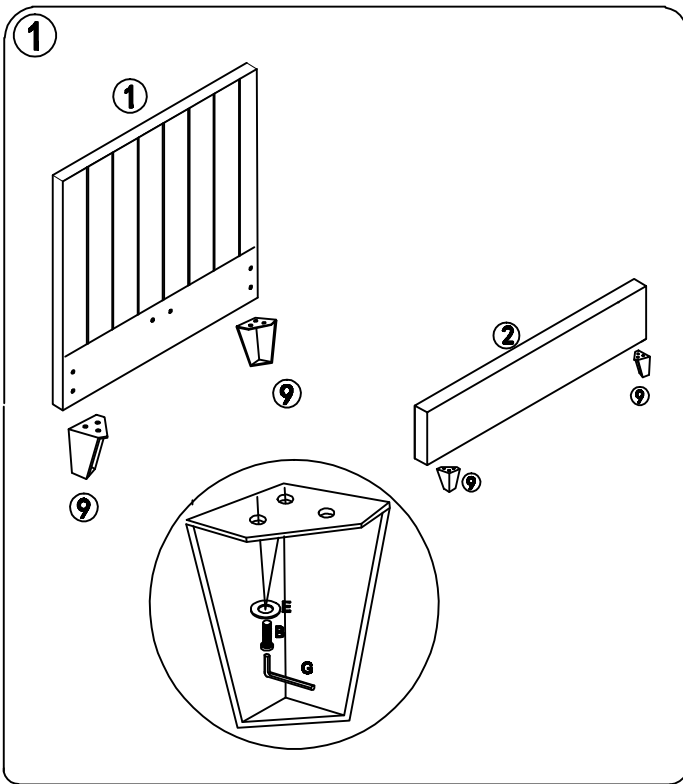


J Spanner (1pc)



# ASSEMBLY INSTRUCTIONS **meridian.** furniture

## ENZO BED - FULL



**NOTE:** For questions about parts or assembly please email [support@meridianfurnitureusa.com](mailto:support@meridianfurnitureusa.com) or call us at 718-758-4455.

[www.MeridianFurnitureUSA.com](http://www.MeridianFurnitureUSA.com) | [support@meridianfurnitureusa.com](mailto:support@meridianfurnitureusa.com)