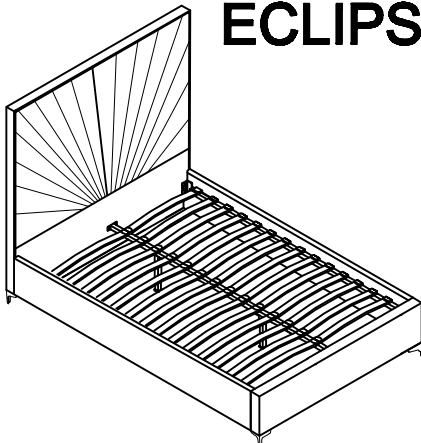
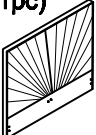
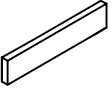



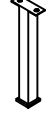






ASSEMBLY INSTRUCTIONS **meridian.** ECLIPSE BED - FULL furniture



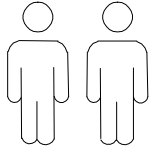
+ Parts Included

- | | | |
|--|---|--|
| ① Head Board
(1pc)
 | ② Foot Board
(1pc)
 | ③ Side Rails
(2pcs)
 |
| ④ Double Plastic cap
(14pcs)
 | ⑤ Center Support Bar
(1pc)
 | ⑥ Support Legs
(2pcs)
 |
| ⑦ Slats
(28pcs)
 | ⑧ Single Plastic cap
(28pcs)
 | ⑨ Chrome Legs
(4pcs)
 |
- *Slats come packed in the bottom of headboard carton.
- ⑩ Gold Legs (4pcs)


+ Use Power Tools



+ Suggested Adults



NOTE: For questions about parts or assembly please email support@meridianfurnitureusa.com or call us at 718-758-4455.

- 1 Read instructions cover to cover.
- 2 Save all packaging until assembly is completed.

1 IMPORTANT SAFETY INFORMATION

Do not assemble the product if any of the following parts arrived damaged:











- Part # ③ -Side Rails
- Part # ⑤ -Center Support Bar
- Part # ⑥ -Support Legs
- Part # ⑦ -Slats

2 IMPORTANT ASSEMBLY INFORMATION

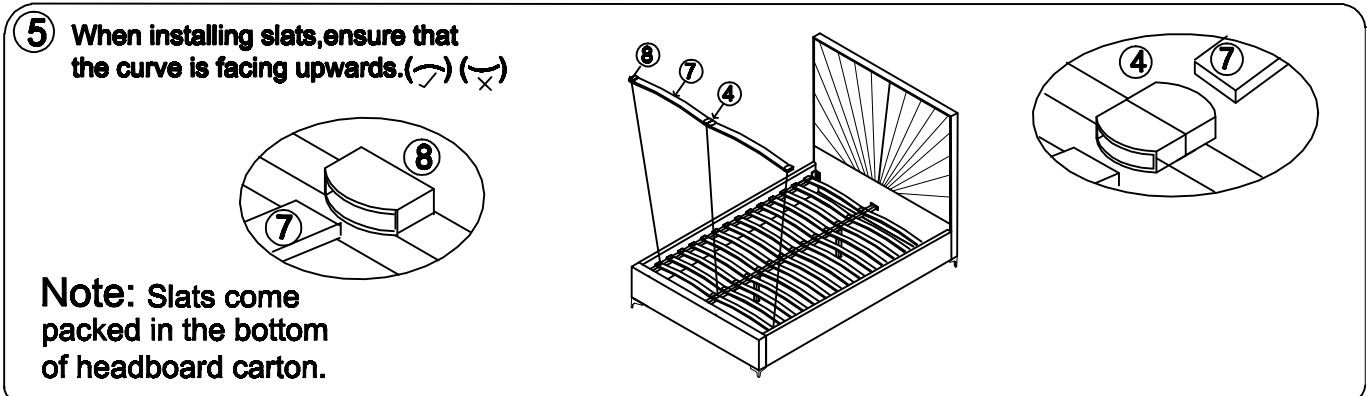
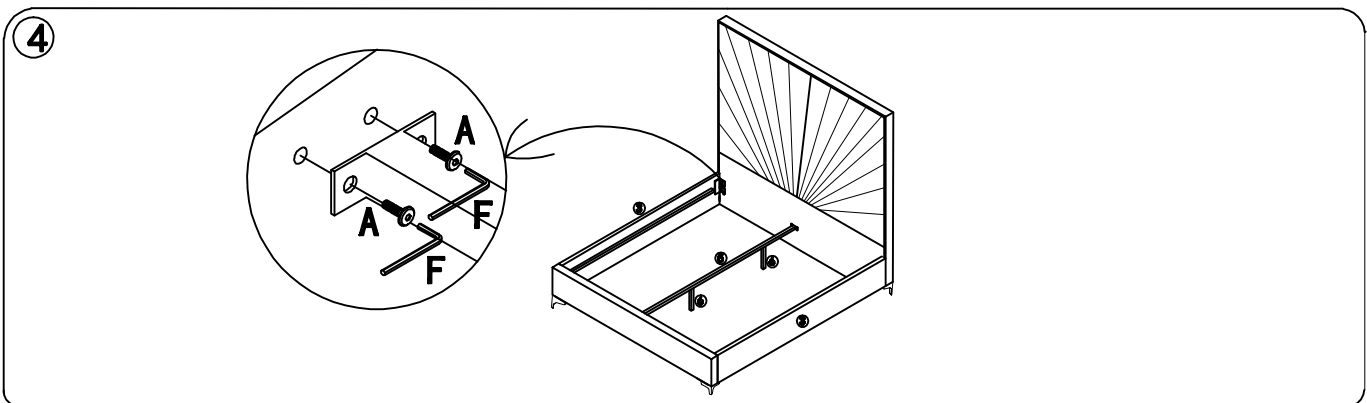
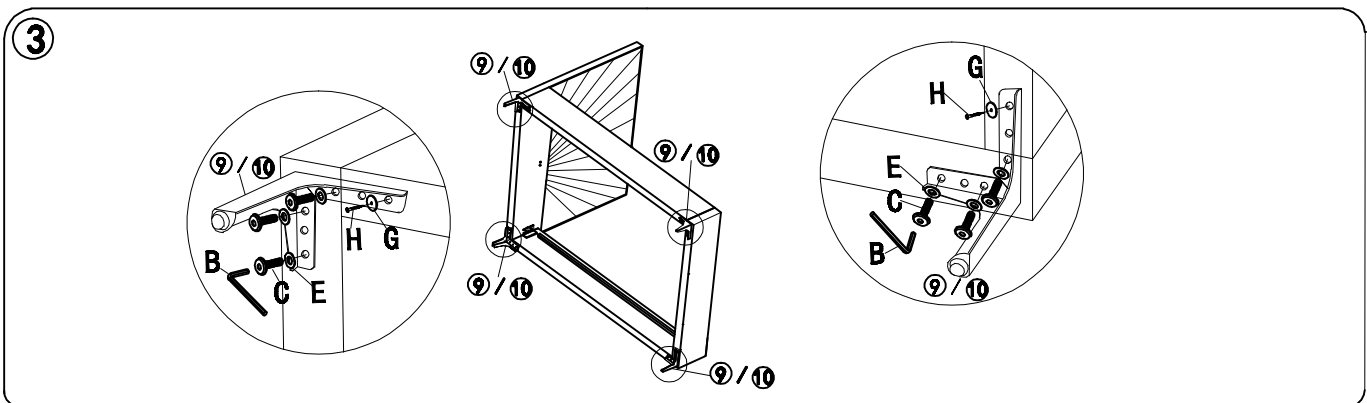
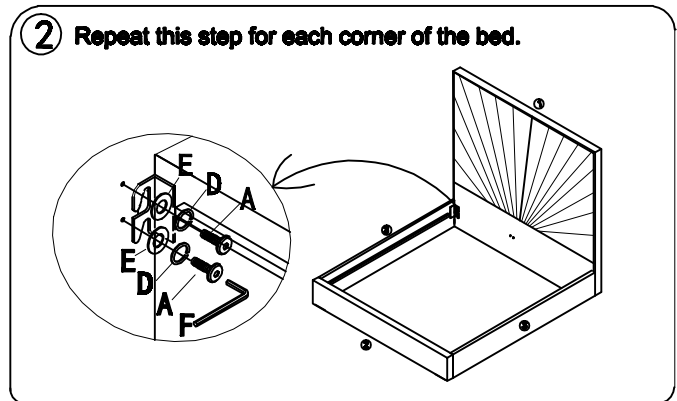
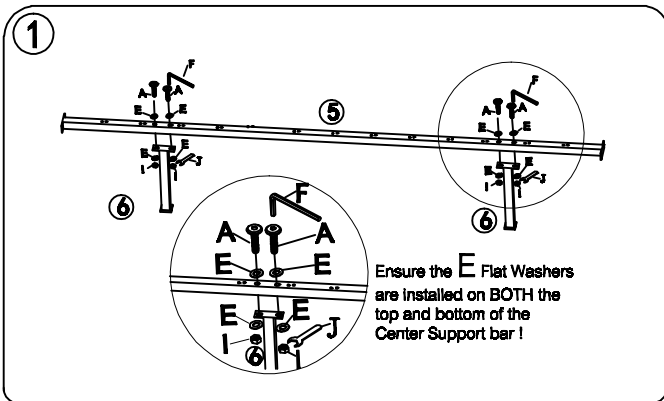
Assembly Step ② Ensure the side rail bracket is fully hooked onto bolt A loosely threaded with both washers on the OUTSIDE of the bracket first, then proceed to fully tightening all 4 corners.

Assembly Step ⑤ When installing slats, ensure that the curve is facing upwards. (→) (↘)
*Slats come packed in the bottom of headboard carton.

+ Hardware Included

- | | | | |
|---|--|--|--|
| A Bolt M8*30mm
(16pcs)
 | B M8 Allen Key
(1pc)
 | C Bolt M6*25mm
(12pcs)
 | D Spring Washer
(8pcs)
 |
| E Flat Washer
φ16 (28pcs)
 | F M8 Allen Key
(1pc)
 | G Flat Washer
φ16 (4pcs)
 | H Wood screws
M4*30mm (4pcs)
 |
| I Nut M8*13mm
(4pcs)
 | J Spanner
(1pc)
 | | |

ASSEMBLY INSTRUCTIONS **meridian.** ECLIPSE BED - FULL furniture



NOTE: For questions about parts or assembly please email support@meridianfurnitureusa.com or call us at 718-758-4455.

www.MeridianFurnitureUSA.com | support@meridianfurnitureusa.com