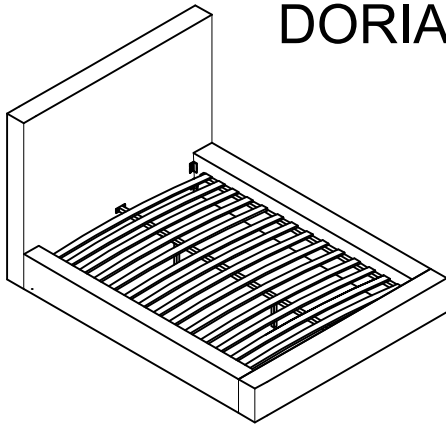


# ASSEMBLY INSTRUCTIONS

## DORIAN BED - FULL

**meridian.**  
furniture

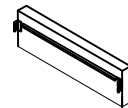
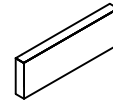
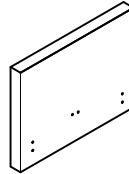


### + Parts Included

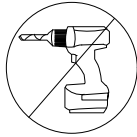
① Head Board (1pc)

② Foot Board (1pc)

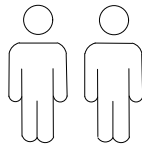
③ Side Rails (2pcs)



### + Do Not Use Power Tools



### + Suggested Adults



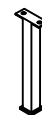
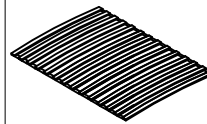
NOTE: For questions about parts or assembly please email [support@meridianfurnitureusa.com](mailto:support@meridianfurnitureusa.com) or call us at 718-758-4455.

- 1 Read instructions cover to cover.
- 2 Save all packaging until assembly is completed.

④ Slats joint (1set=13pcs)

⑤ Center Support Bar (1pc)

⑥ Support Legs (2pcs)



\*Slats come packed in the bottom of headboard carton.

### 1 IMPORTANT SAFETY INFORMATION

Do not assemble the product if any of the following parts arrived damaged:

- Part #③ -Side Rails
- Part #④ -Slats joint
- Part #⑤ -Center Support Bar
- Part #⑥ -Support Legs

### 2 IMPORTANT ASSEMBLY INFORMATION

Assembly Step ② Ensure the side rail bracket is fully hooked onto bolt **A** loosely threaded with both washers on the **OUTSIDE** of the bracket first, then proceed to fully tightening all 4 corners.

\*Slats come packed in the bottom of headboard carton.

### + Hardware Included

A Bolt M8\*30mm (16pcs)

B Nut M8\*13mm (4pcs)

C Spanner (1pc)



D Spring Washer (8pcs)

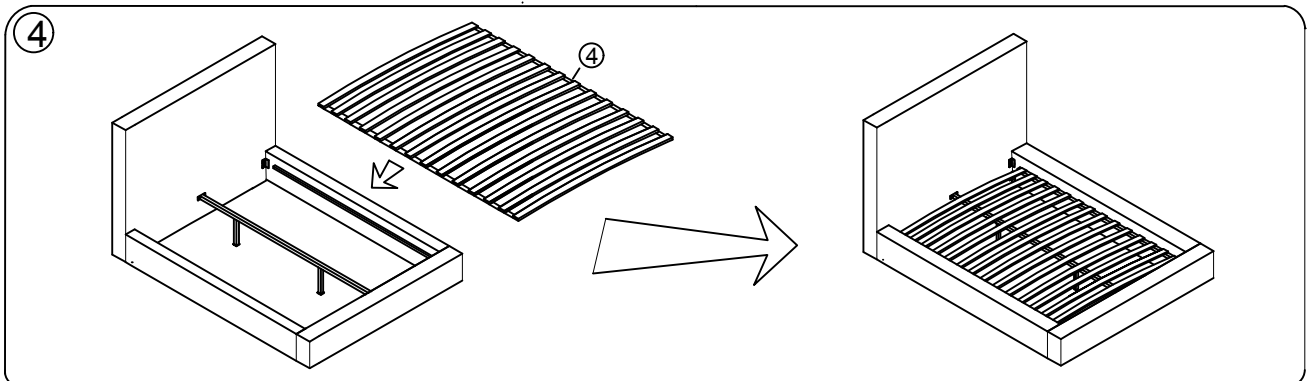
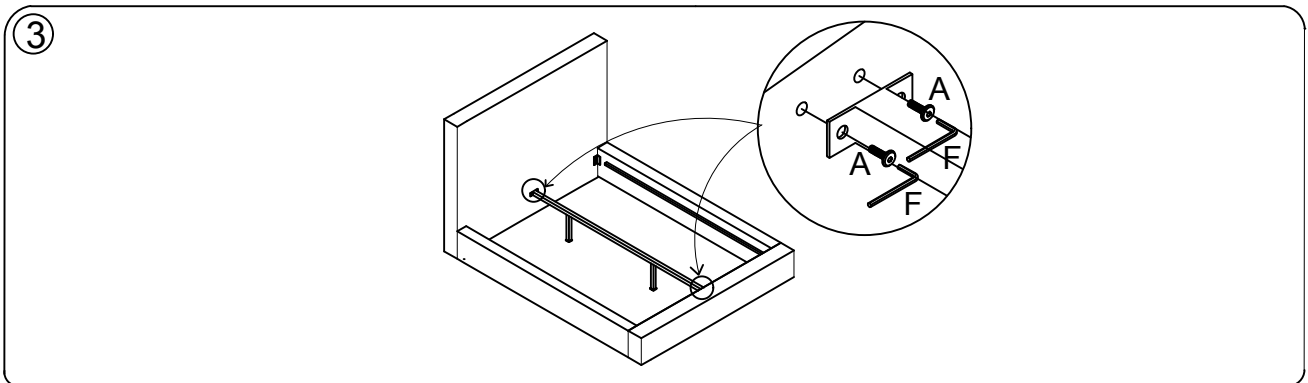
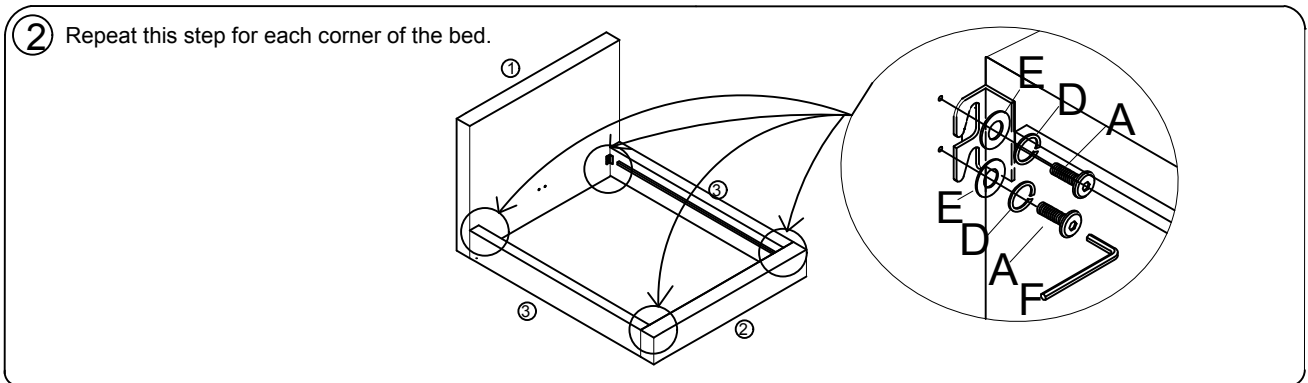
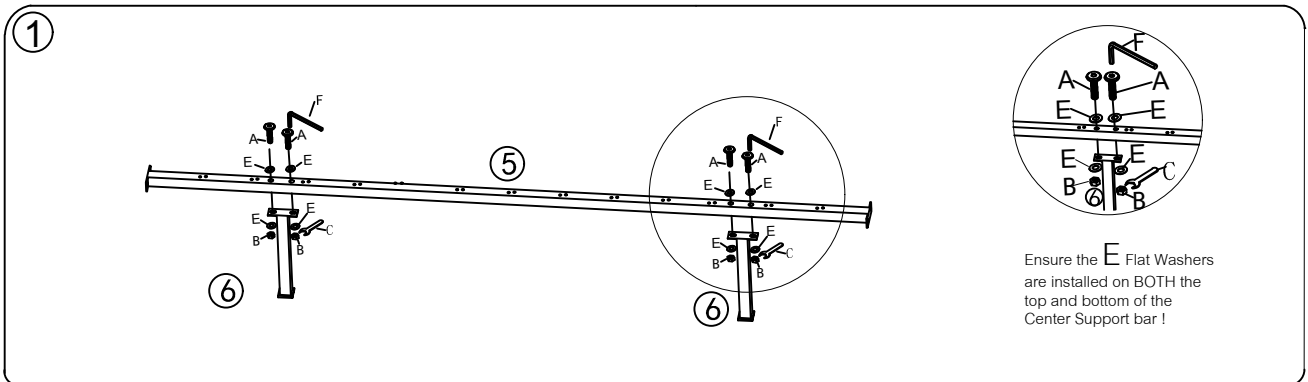
E Flat Washer  $\phi 20$  (16pcs)

F M8 Allen Key (1pc)



# ASSEMBLY INSTRUCTIONS DORIAN BED - FULL

**meridian.**  
furniture



**NOTE:** For questions about parts or assembly please email [support@meridianfurnitureusa.com](mailto:support@meridianfurnitureusa.com) or call us at 718-758-4455.  
[www.MeridianFurnitureUSA.com](http://www.MeridianFurnitureUSA.com) | [support@meridianfurnitureusa.com](mailto:support@meridianfurnitureusa.com)