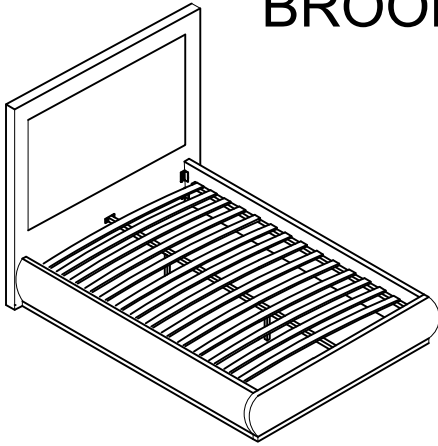


# ASSEMBLY INSTRUCTIONS

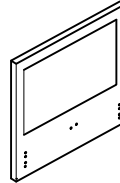
## BROOKE BED - QUEEN

**meridian.**  
furniture

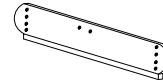


### + Parts Included

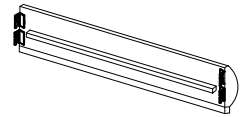
① Head Board  
(1pc)



② Foot Board  
(1pc)



③ Side Rails  
(2pcs)



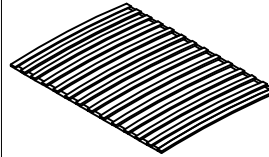
④ Center Support  
Bar(1pc)



⑤ Support  
Legs(2pcs)



⑥ Slats joint  
(1set=13pcs)

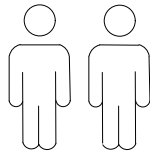


\*Slats come packed  
in the bottom of  
headboard carton.

### + Do Not Use Power Tools



### + Suggested Adults



NOTE: For questions about parts or assembly please email [support@meridianfurnitureusa.com](mailto:support@meridianfurnitureusa.com) or call us at 718-758-4455.

- 1 Read instructions cover to cover.
- 2 Save all packaging until assembly is completed.

### 1 IMPORTANT SAFETY INFORMATION

Do not assemble the product if any of the following parts arrived damaged:

- Part #③ -Side Rails
- Part #④ -Center Support Bar
- Part #⑤ -Support Legs
- Part #⑥ -Slats joint

### 2 IMPORTANT ASSEMBLY INFORMATION

Assembly Step ② Ensure the side rail bracket is fully hooked onto bolt **A** loosely threaded with both washers on the **OUTSIDE** of the bracket first, then proceed to fully tightening all 4 corners.

\*Slats come packed in the bottom of headboard carton.

### + Hardware Included

A Bolt M8\*40mm  
(24pcs)



C Spring Washer  
(16pcs)



E Flat Washer  
Φ20(24pcs)



F M8 Allen Key  
(1pc)



I Nut M8\*13mm  
(4pcs)

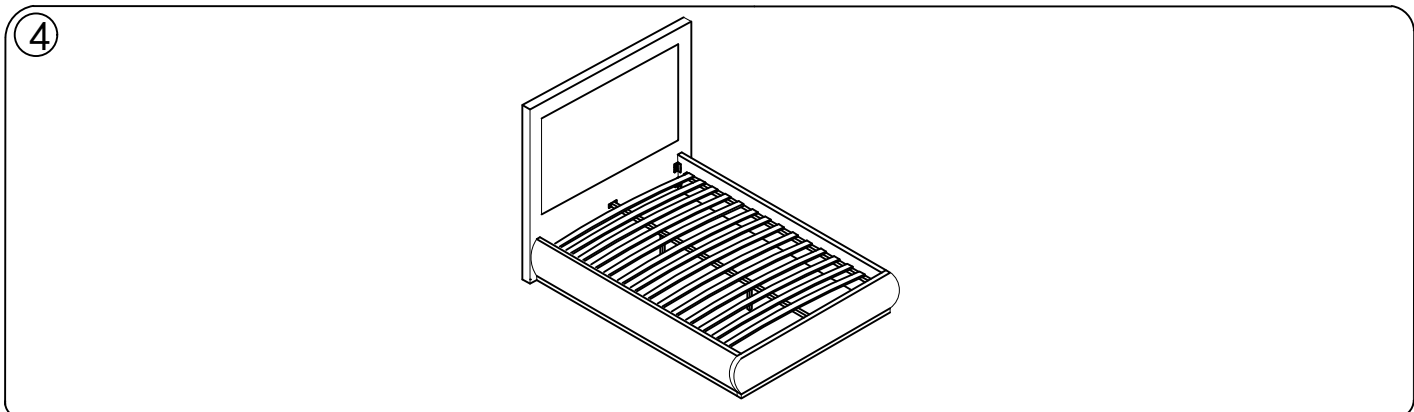
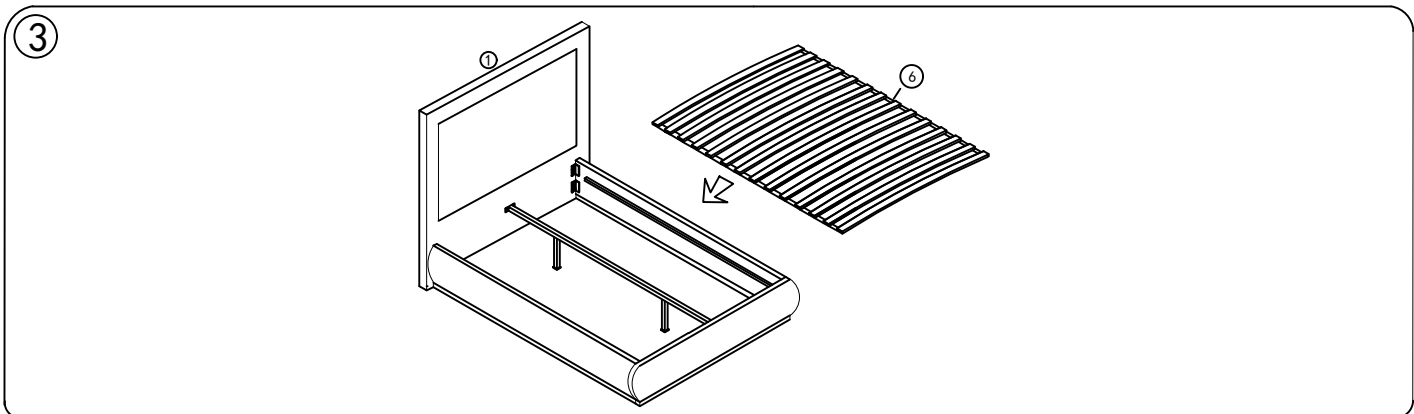
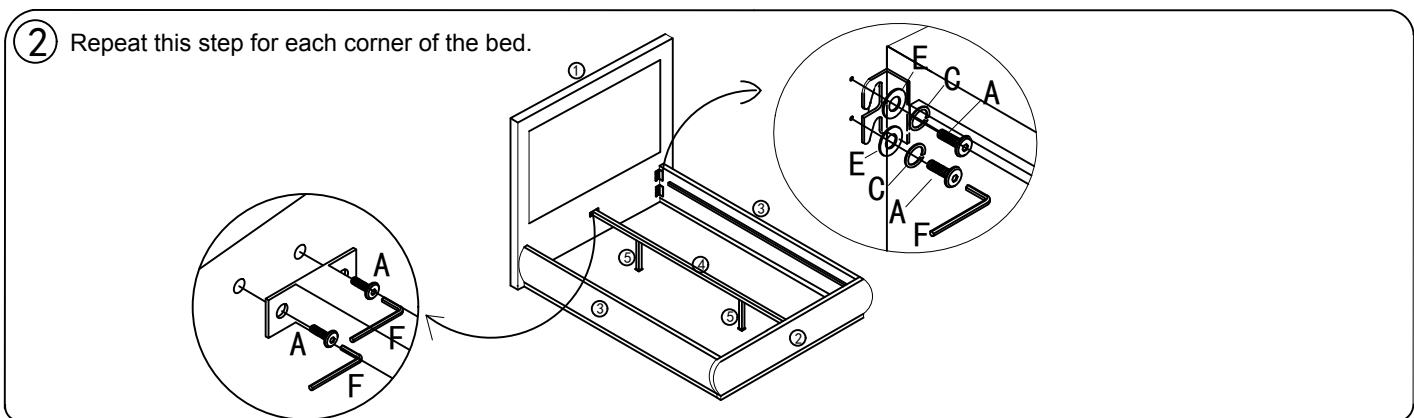
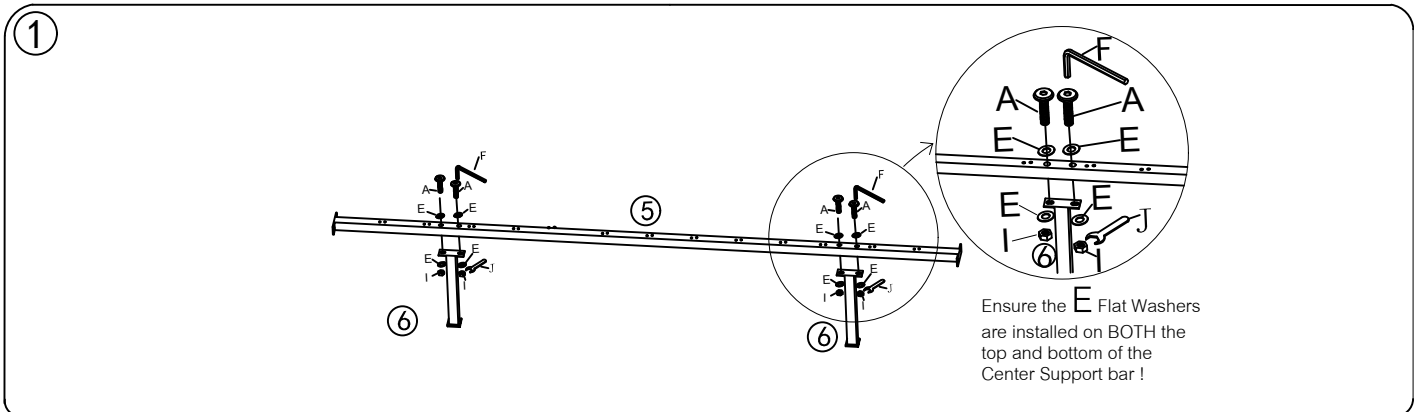


J Spanner  
(1pc)



# ASSEMBLY INSTRUCTIONS BROOKE BED - QUEEN

meridian.  
furniture



**NOTE:** For questions about parts or assembly please email [support@meridianfurnitureusa.com](mailto:support@meridianfurnitureusa.com) or call us at 718-758-4455.  
[www.MeridianFurnitureUSA.com](http://www.MeridianFurnitureUSA.com) | [support@meridianfurnitureusa.com](mailto:support@meridianfurnitureusa.com)