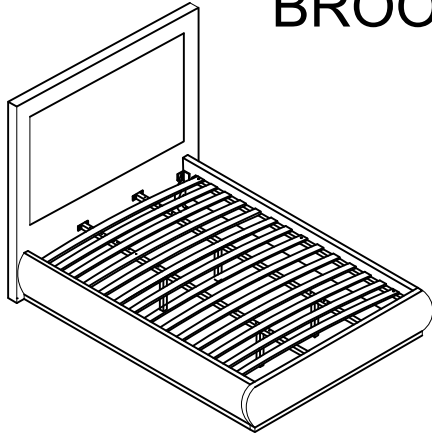


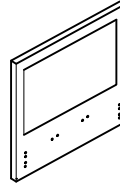
ASSEMBLY INSTRUCTIONS BROOKE BED - KING

meridian.
furniture

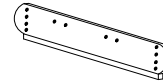


+ Parts Included

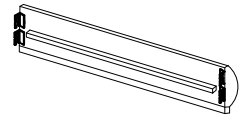
① Head Board
(1pc)



② Foot Board
(1pc)



③ Side Rails
(2pcs)



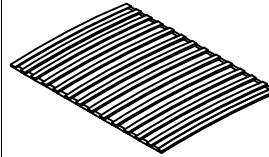
④ Center Support
Bar(2pcs)



⑤ Support
Legs(4pcs)

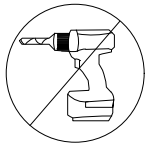


⑥ Slats joint
(1set=13pcs)

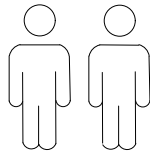


*Slats come packed
in the bottom of
headboard carton.

+ Do Not Use Power Tools



+ Suggested Adults



NOTE: For questions about parts or assembly please email support@meridianfurnitureusa.com or call us at 718-758-4455.

- 1 Read instructions cover to cover.
- 2 Save all packaging until assembly is completed.

1 IMPORTANT SAFETY INFORMATION

Do not assemble the product if any of the following parts arrived damaged:

- Part #③ -Side Rails
- Part #④ -Center Support Bar
- Part #⑤ -Support Legs
- Part #⑥ -Slats joint

2 IMPORTANT ASSEMBLY INFORMATION

Assembly Step ② Ensure the side rail bracket is fully hooked onto bolt **A** loosely threaded with both washers on the **OUTSIDE** of the bracket first, then proceed to fully tightening all 4 corners.

*Slats come packed in the bottom of headboard carton.

+ Hardware Included

A Bolt M8*40mm
(32pcs)



C Spring Washer
(16pcs)



E Flat Washer
φ20(32pcs)



F M8 Allen Key
(1pc)



I Nut M8*13mm
(8pcs)



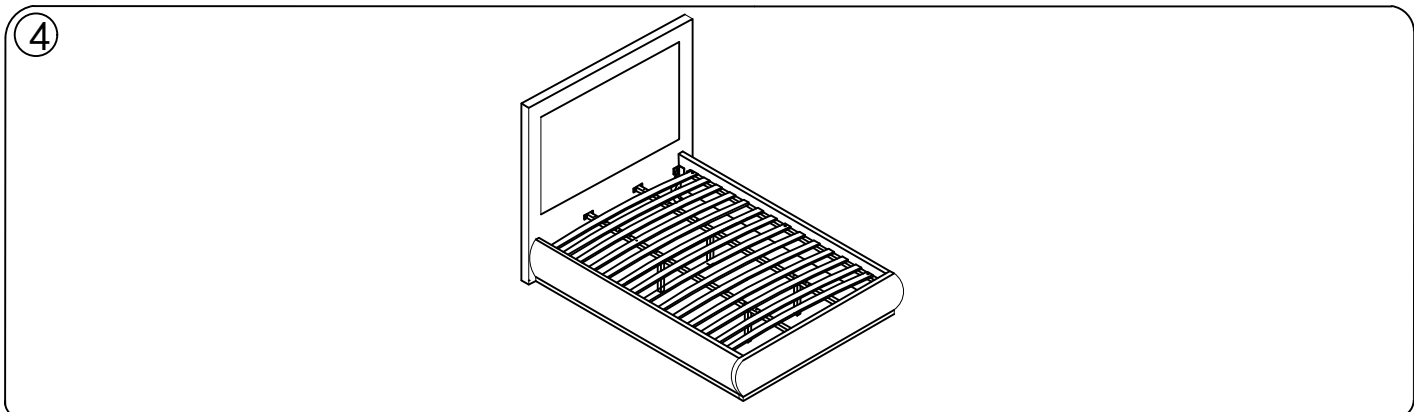
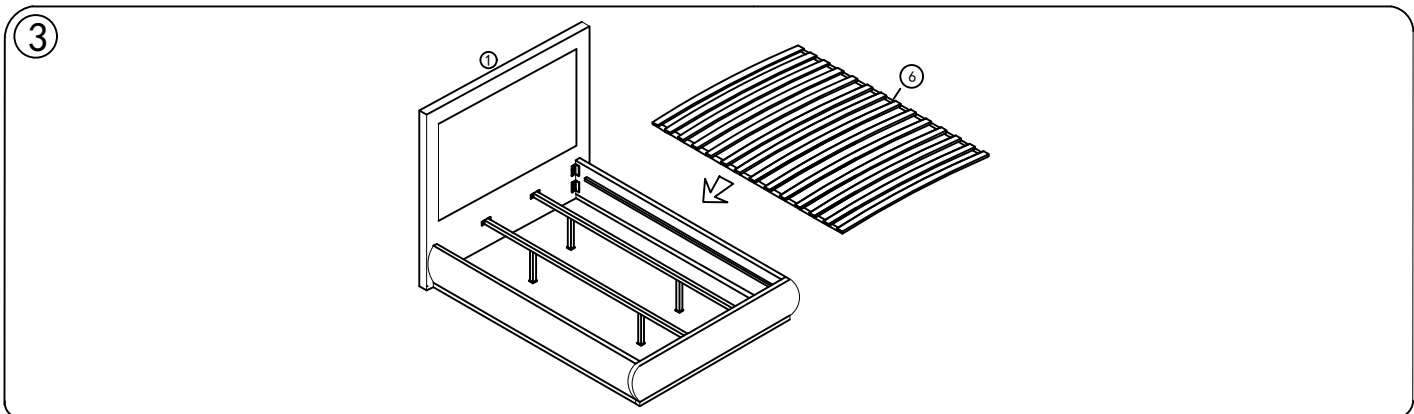
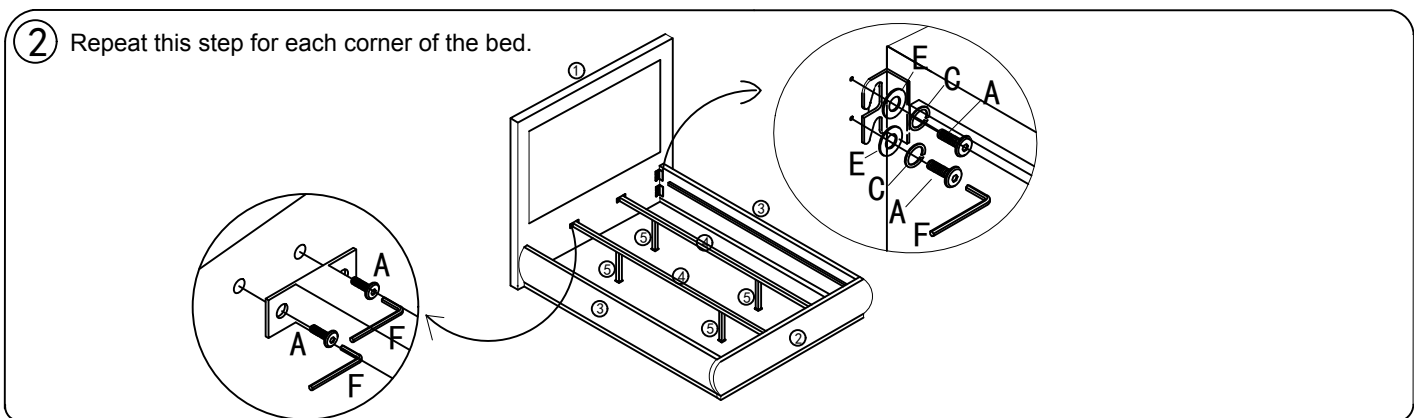
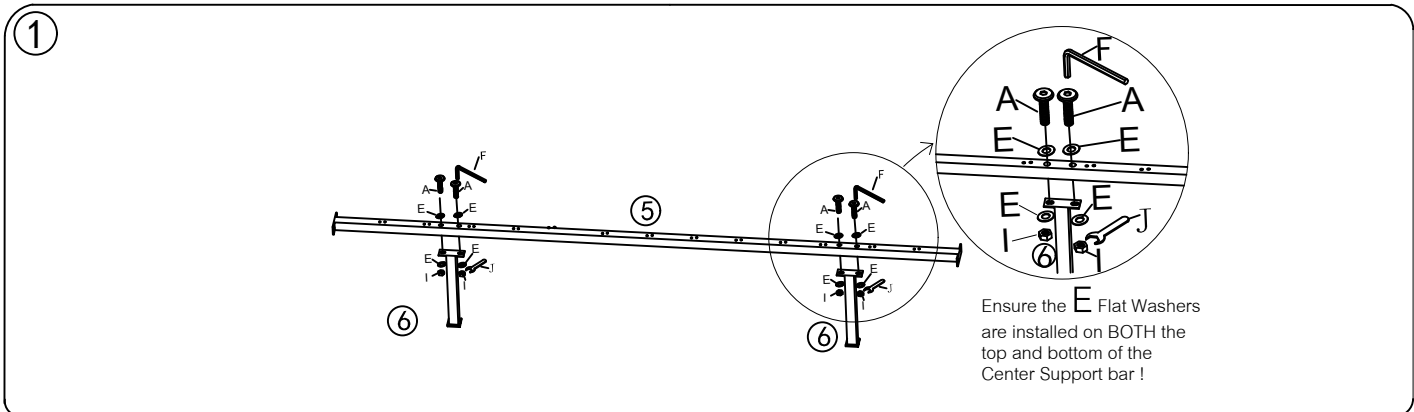
J Spanner
(1pc)



ASSEMBLY INSTRUCTIONS

BROOKE BED - KING

meridian.
furniture



NOTE: For questions about parts or assembly please email support@meridianfurnitureusa.com or call us at 718-758-4455.
www.MeridianFurnitureUSA.com | support@meridianfurnitureusa.com