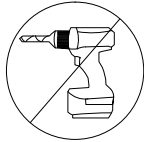


ASSEMBLY INSTRUCTIONS

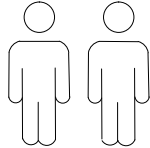
Becca bed - full

meridian.
furniture

+ Do Not Use Power Tools



+ Suggested Adults



NOTE: For questions about parts or assembly please email support@meridianfurnitureusa.com or call us at 718-758-4455.

- 1 Read instructions cover to cover.
- 2 Save all packaging until assembly is completed.

1 IMPORTANT SAFETY INFORMATION

Do not assemble the product if any of the following parts arrived damaged:

- Part # ③ -Side Rails
- Part # ⑤ -Center Support Bar
- Part # ⑥ -Support Legs
- Part # ⑦ -Slats

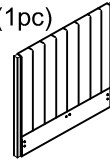
2 IMPORTANT ASSEMBLY INFORMATION

Assembly Step ③ Ensure the side rail bracket is fully hooked onto bolt **A** loosely threaded with both washers on the **OUTSIDE** of the bracket first, then proceed to fully tightening all 4 corners.

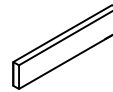
Assembly Step ⑥ When installing slats, ensure that the curve is facing upwards. (↗) (↘)
*Slats come packed in the bottom of headboard carton.

+ Parts Included

① Head Board (1pc)



② Foot Board (1pc)



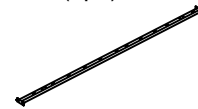
③ Side Rails (2pcs)



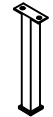
④ Double Plastic cap (14pcs)



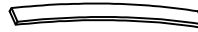
⑤ Center Support Bar (1pc)



⑥ Support Legs (2pcs)



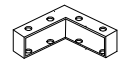
⑦ Slats (28pcs)



⑧ Single Plastic cap (28pcs)



⑨ Legs (4pcs)



*Slats come packed in the bottom of headboard carton.

+ Hardware Included

A Bolt M8*30mm (16pcs)



B Bolt M6*75mm (8pcs)



D Spring Washer (8pcs)



E Flat Washer $\phi 20$ (16pcs)



F M8 Allen Key (1pc)



H M6 Allen Key 1pc



I Nut M8*13mm (4pcs)



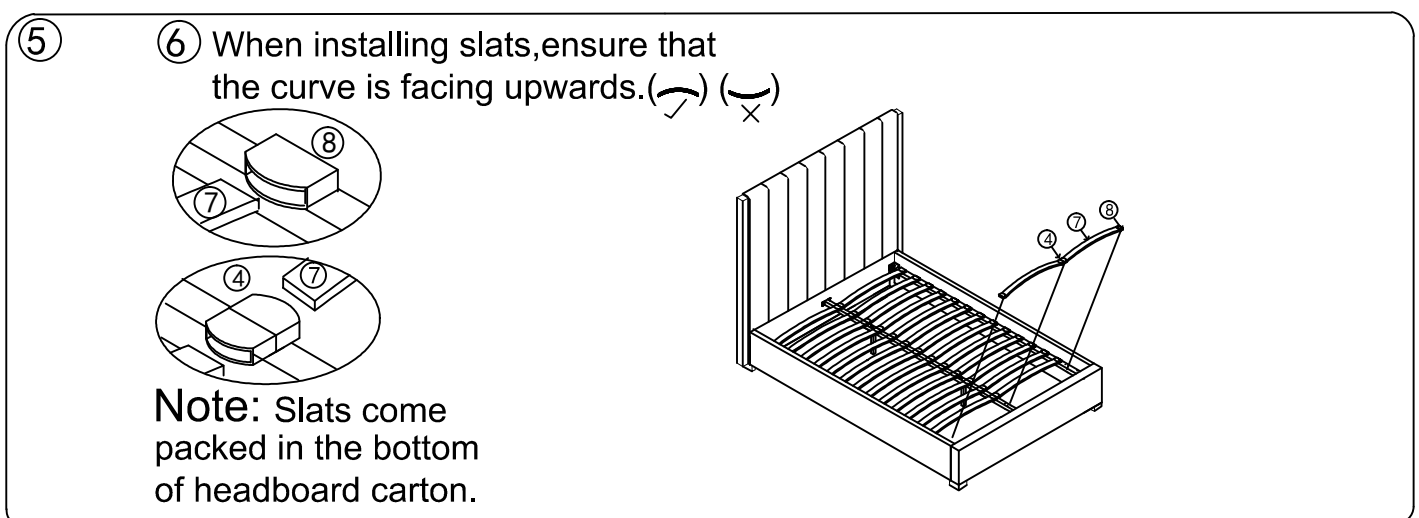
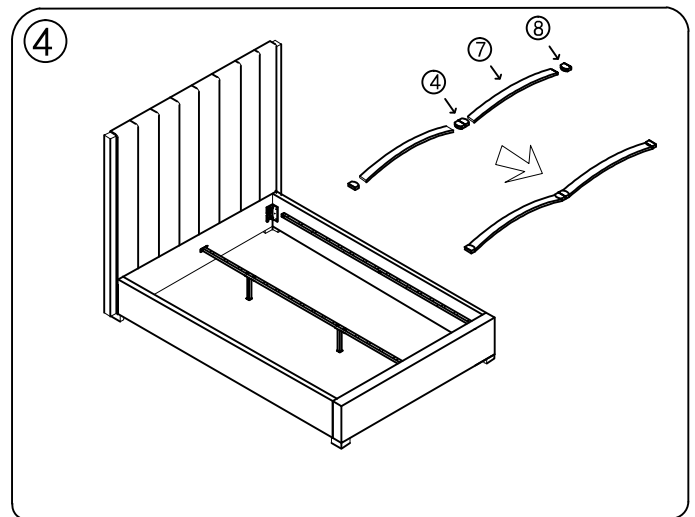
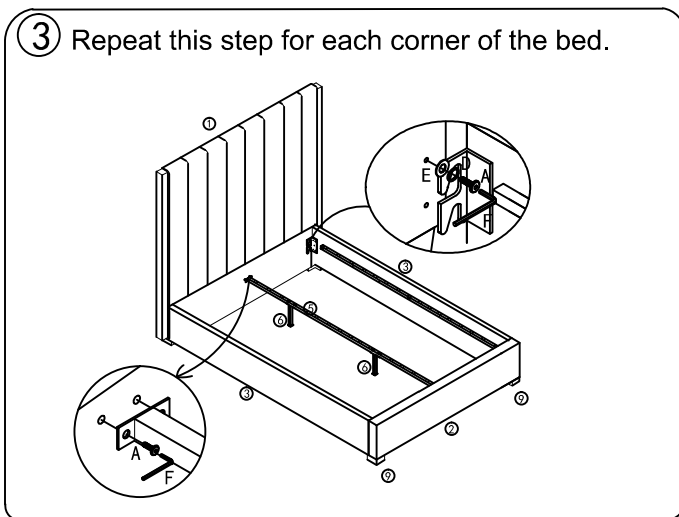
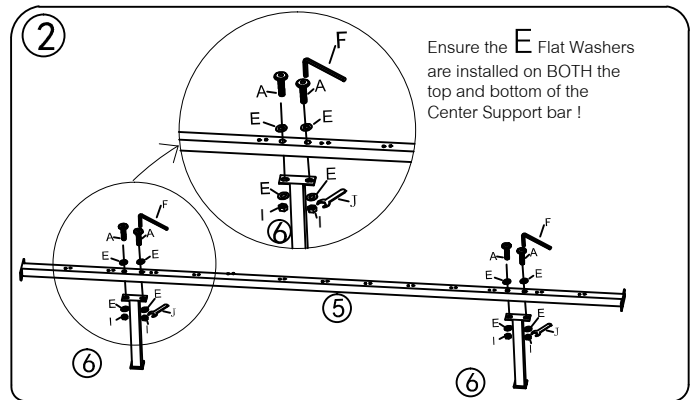
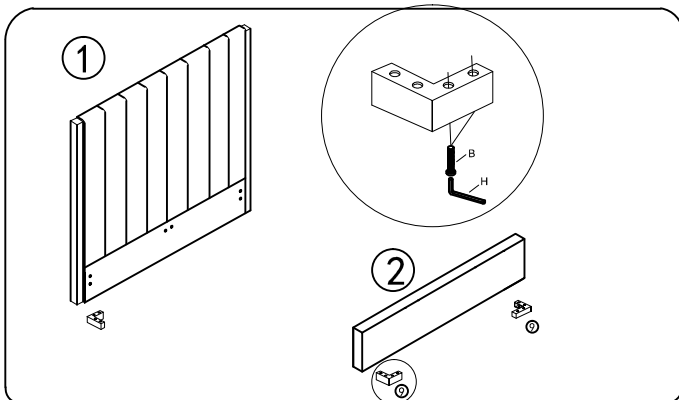
J Spanner (1pc)



ASSEMBLY INSTRUCTIONS

Becca bed - full

meridian.
furniture



NOTE: For questions about parts or assembly please email support@meridianfurnitureusa.com or call us at 718-758-4455.

www.MeridianFurnitureUSA.com | support@meridianfurnitureusa.com