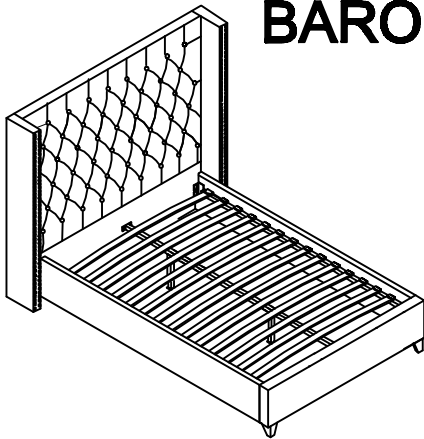


ASSEMBLY INSTRUCTIONS

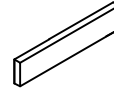
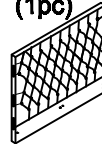
BAROLO BED - TWIN

meridian.
furniture



+ Parts Included

- ① Head Board (1pc) ② Foot Board (1pc) ③ Side Rails (2pcs)



- ④ Single Plastic cap (28pcs) ⑤ Center Support Bar (1pc) ⑥ Support Legs (2pcs)



- ⑦ Slats (14pcs)



- ⑧ Legs (4pcs)



*Slats come packed in the bottom of headboard carton.

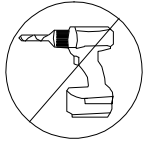
- ⑨ Left wing (1pc)



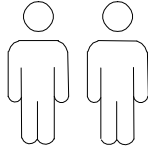
- ⑩ Right wing (1pc)



+ Do Not Use Power Tools



+ Suggested Adults



NOTE: For questions about parts or assembly please email support@meridianfurnitureusa.com or call us at 718-758-4455.

- 1 Read instructions cover to cover.
- 2 Save all packaging until assembly is completed.

1 IMPORTANT SAFETY INFORMATION

Do not assemble the product if any of the following parts arrived damaged:

- Part # ③ -Side Rails
- Part # ⑤ -Center Support Bar
- Part # ⑥ -Support Legs
- Part # ⑦ -Slats

2 IMPORTANT ASSEMBLY INFORMATION

Assembly Step ③ Ensure the side rail bracket is fully hooked onto bolt A loosely threaded with both washers on the OUTSIDE of the bracket first, then proceed to fully tightening all 4 corners.

Assembly Step ⑥ When installing slats, ensure that the curve is facing upwards. (↗) (↘)
*Slats come packed in the bottom of headboard carton.

+ Hardware Included

- A Bolt M8*30mm (16pcs) B Bolt M8*75mm (6pcs) C Bolt M6*25mm (8pcs)



- D Spring Washer (8pcs) E Flat Washer φ20 (24pcs) F M8 Allen Key (1pc)



- G Flat Washer φ22 (6pcs) H M4 Allen Key (1pc) I Nut M8*13mm (4pcs)



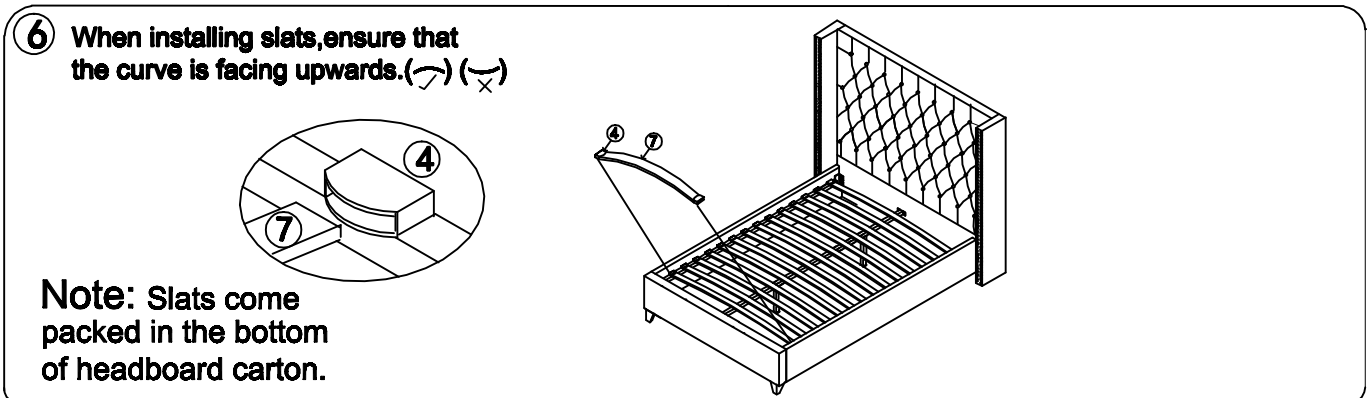
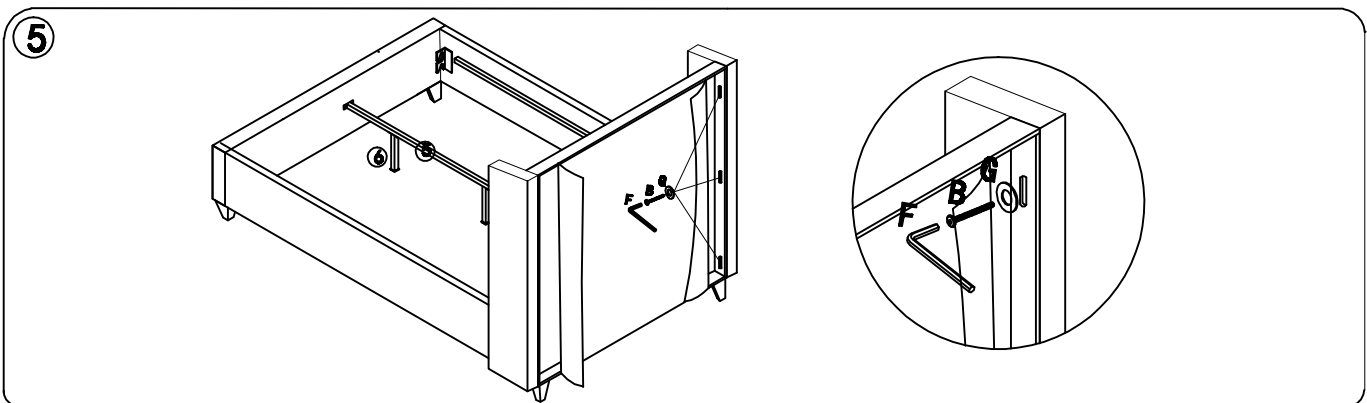
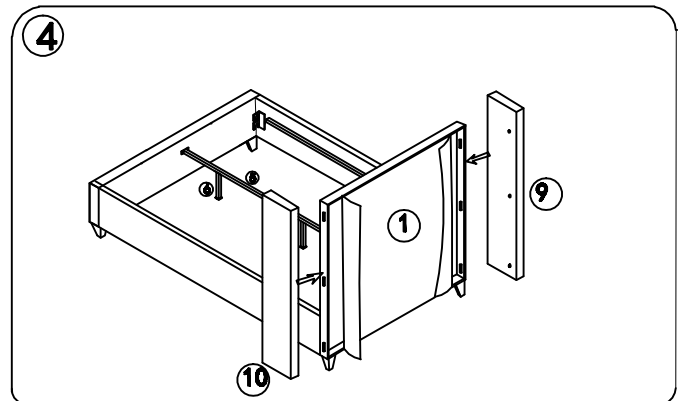
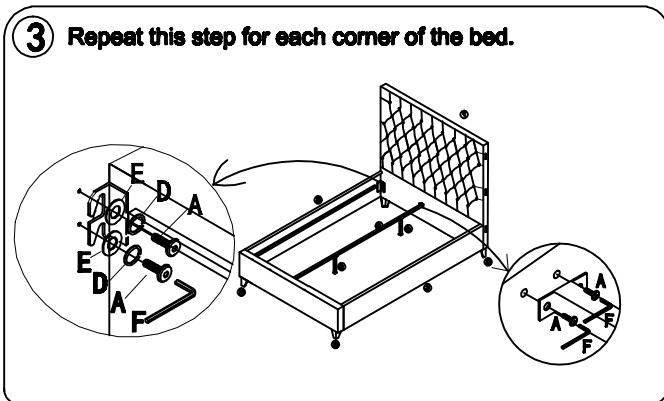
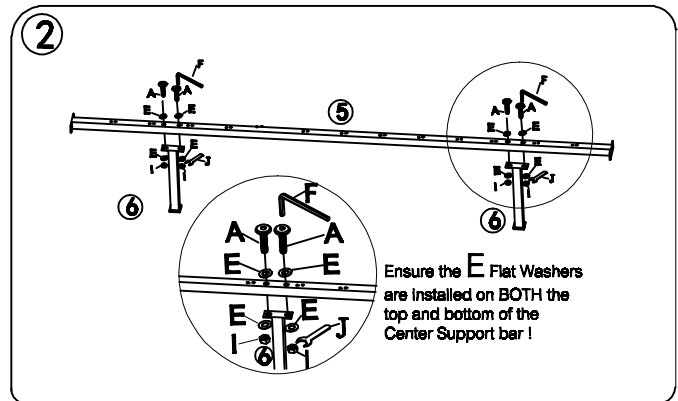
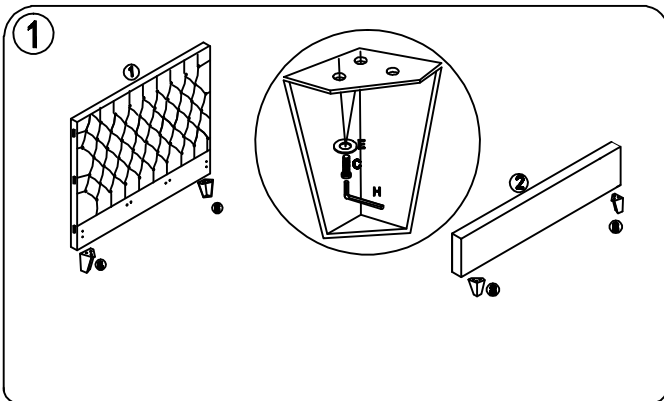
- J Spanner (1pc)



ASSEMBLY INSTRUCTIONS

BAROLO BED - TWIN

meridian.
furniture



NOTE: For questions about parts or assembly please email support@meridianfurnitureusa.com or call us at 718-758-4455.

www.MeridianFurnitureUSA.com | support@meridianfurnitureusa.com