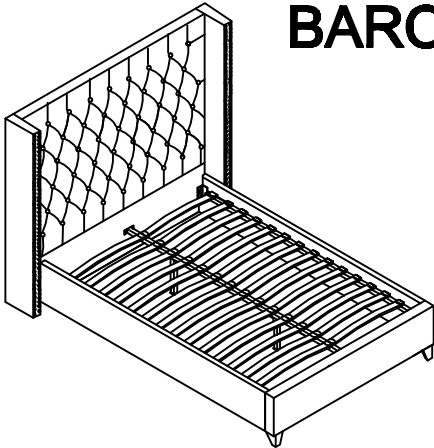


# ASSEMBLY INSTRUCTIONS

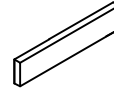
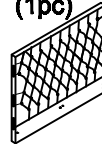
## BAROLO BED - FULL

**meridian.**  
furniture

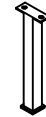


### + Parts Included

- ① Head Board (1pc)      ② Foot Board (1pc)      ③ Side Rails (2pcs)



- ④ Double Plastic cap (14pcs)      ⑤ Center Support Bar (1pc)      ⑥ Support Legs (2pcs)



- ⑦ Slats (28pcs)      ⑧ Single Plastic cap (28pcs)      ⑨ Legs (4pcs)

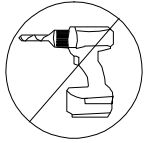


\*Slats come packed in the bottom of headboard carton.

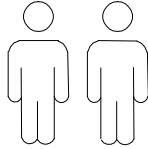
- ⑩ Left wing (1pc)      ⑪ Right wing (1pc)



### + Do Not Use Power Tools



### + Suggested Adults



NOTE: For questions about parts or assembly please email [support@meridianfurnitureusa.com](mailto:support@meridianfurnitureusa.com) or call us at 718-758-4455.

- 1 Read instructions cover to cover.
- 2 Save all packaging until assembly is completed.

### 1 IMPORTANT SAFETY INFORMATION

Do not assemble the product if any of the following parts arrived damaged:

- Part # ③ -Side Rails
- Part # ⑤ -Center Support Bar
- Part # ⑥ -Support Legs
- Part # ⑦ -Slats

### 2 IMPORTANT ASSEMBLY INFORMATION

Assembly Step ③ Ensure the side rail bracket is fully hooked onto bolt A loosely threaded with both washers on the OUTSIDE of the bracket first, then proceed to fully tightening all 4 corners.

Assembly Step ⑥ When installing slats, ensure that the curve is facing upwards. (→) (↘)  
\*Slats come packed in the bottom of headboard carton.

### + Hardware Included

- A Bolt M8\*30mm (16pcs)      B Bolt M8\*75mm (6pcs)      C Bolt M6\*25mm (8pcs)



- D Spring Washer (8pcs)      E Flat Washer  $\phi$ 20 (24pcs)      F M8 Allen Key (1pc)



- G Flat Washer  $\phi$ 22 (6pcs)      H M4 Allen Key (1pc)      I Nut M8\*13mm (4pcs)



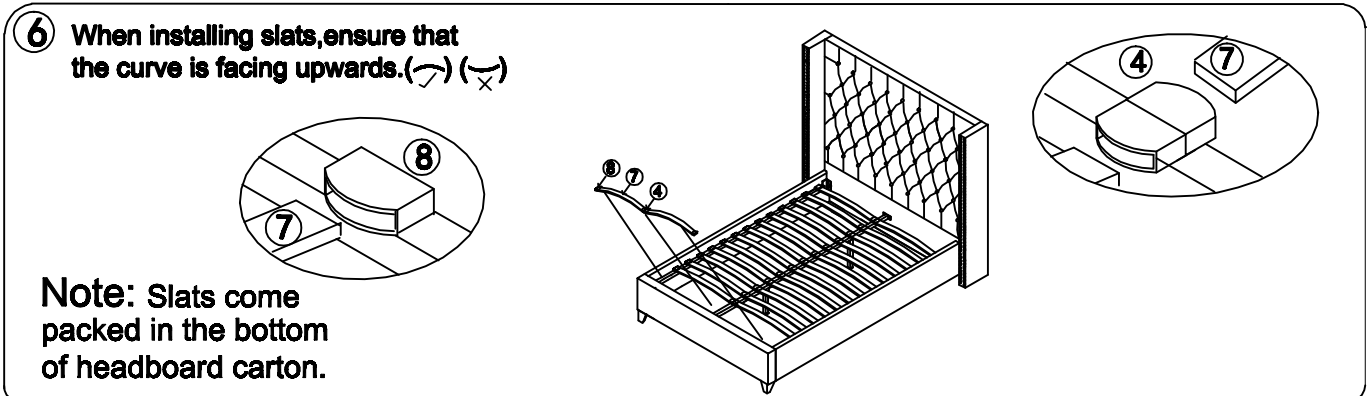
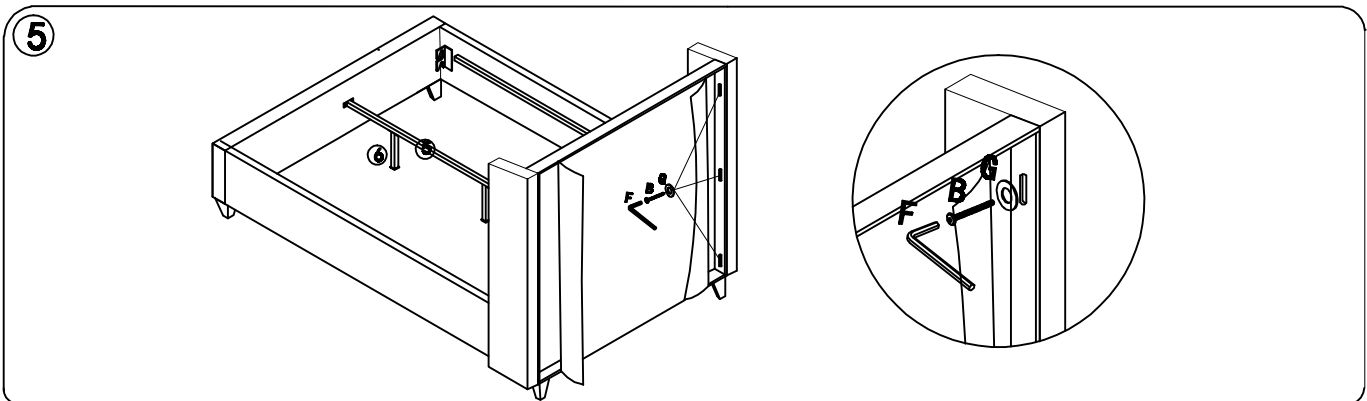
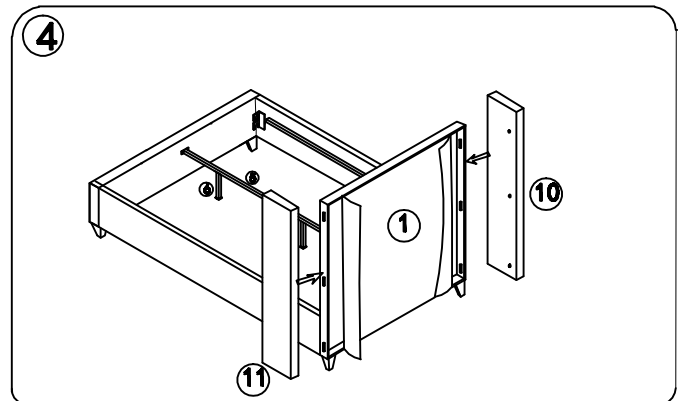
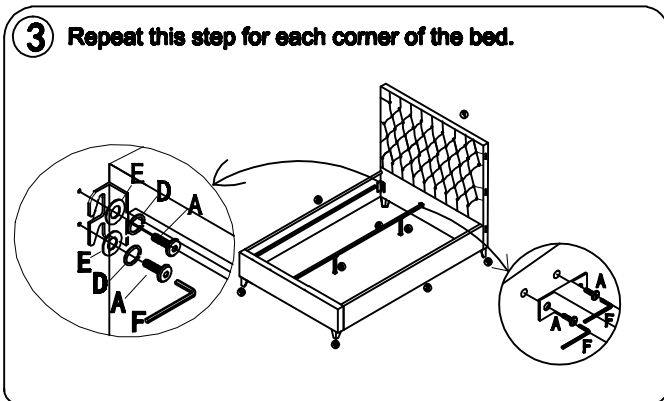
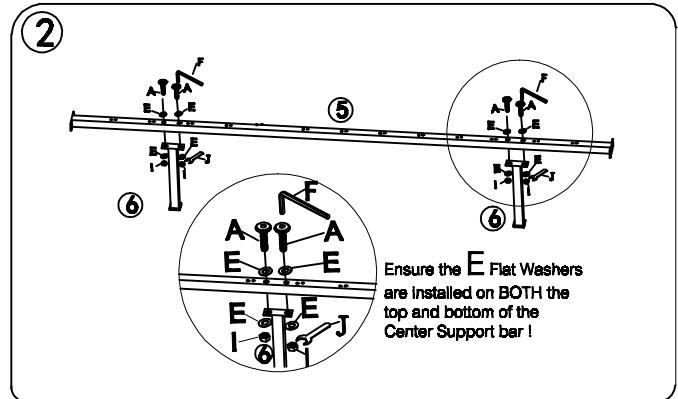
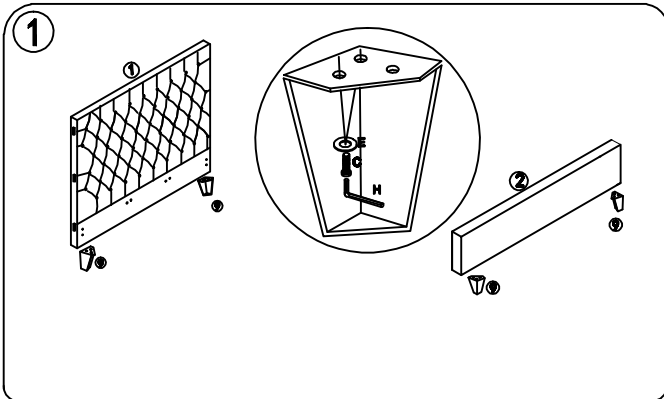
- J Spanner (1pc)



# ASSEMBLY INSTRUCTIONS

## BAROLO BED - FULL

**meridian.**  
furniture



**NOTE:** For questions about parts or assembly please email [support@meridianfurnitureusa.com](mailto:support@meridianfurnitureusa.com) or call us at 718-758-4455.

[www.MeridianFurnitureUSA.com](http://www.MeridianFurnitureUSA.com) | [support@meridianfurnitureusa.com](mailto:support@meridianfurnitureusa.com)