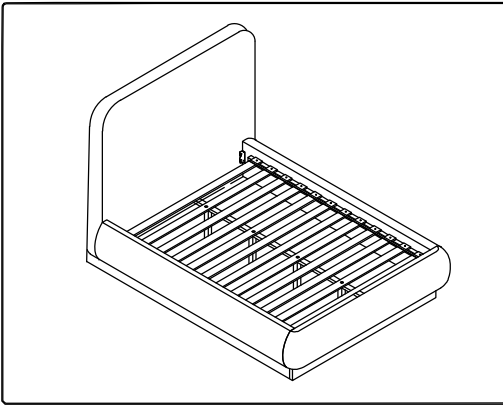


# ASSEMBLY INSTRUCTIONS

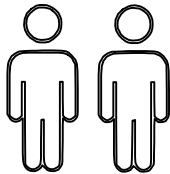
Q - B1275/B1276/B1277/B1278



+ Do Not Use Power Tools



+ Suggested Adults



NOTE : For question about part or assembly please email [support@meridianfurnitureusa.com](mailto:support@meridianfurnitureusa.com) or call us at 718-758-4455.

- 1 Read instruction cover to yover.
- 2 Save all packaging until assembly is completed.

## 1 IMPORTANT SAFETY INFORMATION

Do not assemble the product if any of the following parts arrived damaged:

- Part 1 - Headboard
- Part 2 - Footboard
- Part 3 - Side Rail
- Part 4 - HB Columns
- Part 5 - FB Columns
- Part 6 - Upper Long Panels
- Part 7 - Upper Short Panels

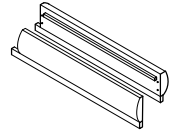
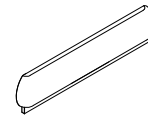
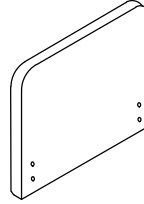
## 2 IMPORTANT ASSEMBLY INFORMATION

Assembly Step Ensure the side rail bracket is fully hooked onto bolt loosely threaded with both washers on the QUTSIDE of the bracket first, then proceed to fully tightening al 4 corners.

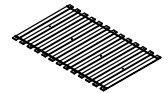
\*Slats come packed behind the of headboard panel.

## +Parts Included

#1 HEADBOARD #2 FOOTBOARD #3 SIDE RAIL  
1PC 2PCS



#4 SUPPORT LEG 4PCS #5 SUPPORT SLAT 1PC #6 SLAT 1SET



## +Hardware Included

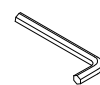
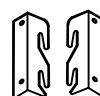
A SCREW M8X38MM(26PCS) B BOLT Ø5/16" X 1-1/4"(16PCS)



C LOCK WASHER Ø5/16" (16PCS) D FLAT WASHER Ø5/16" X 19MM(16PCS)



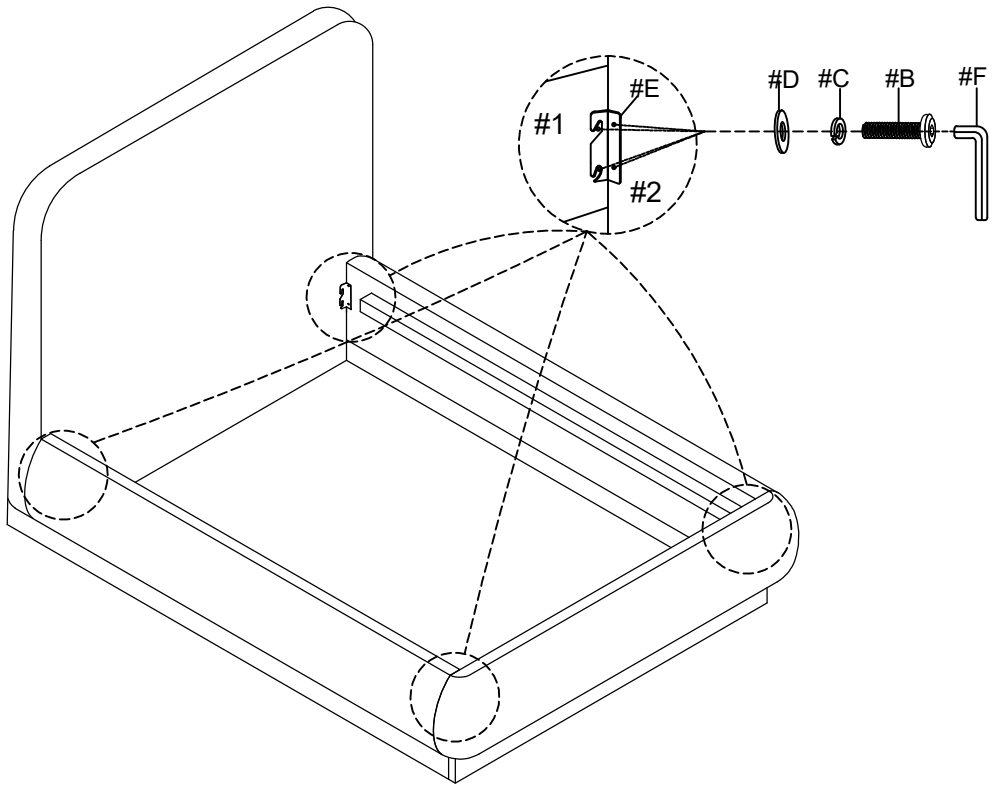
E CONNECTING IRON (2L&2R) (4PCS) F ALLEN WRENCH (1PC)



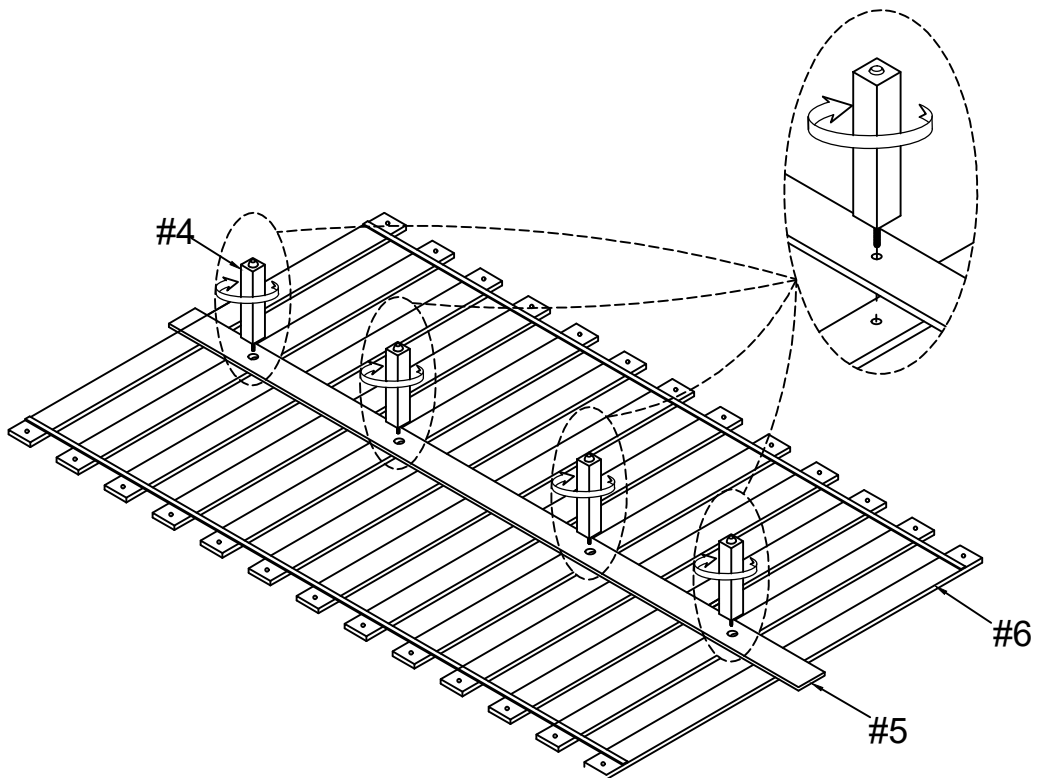
# ASSEMBLY INSTRUCTIONS

Q - B1275/B1276/B1277/B1278

①



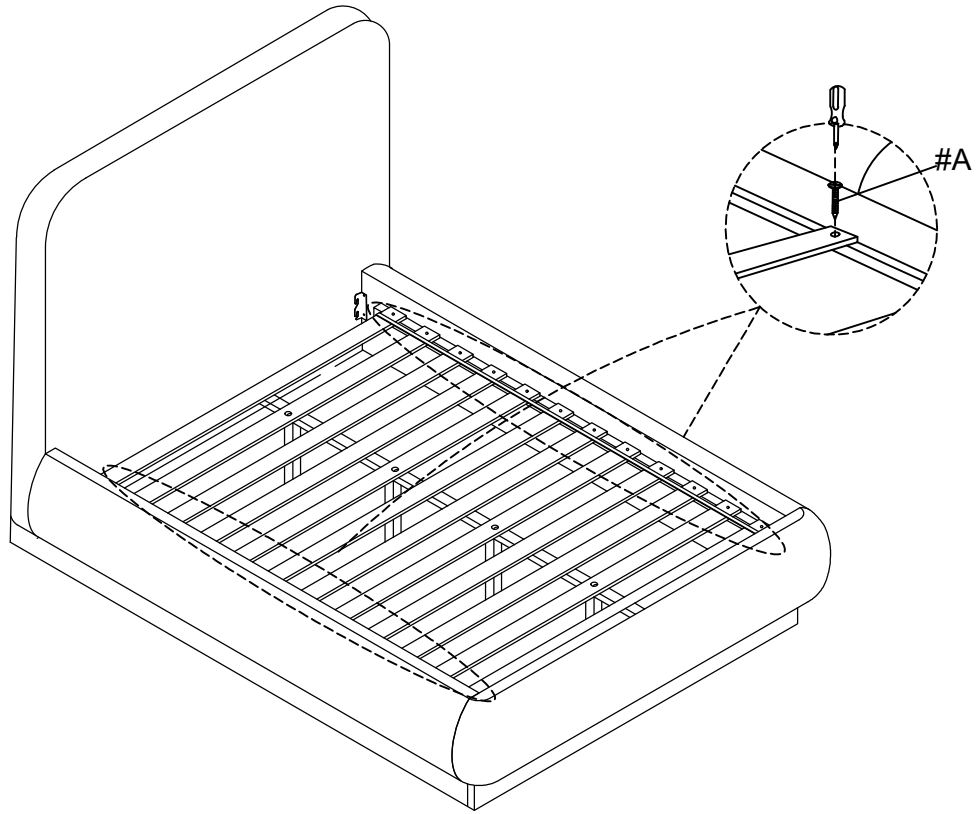
②



# ASSEMBLY INSTRUCTIONS

Q - B1275/B1276/B1277/B1278

③



④

