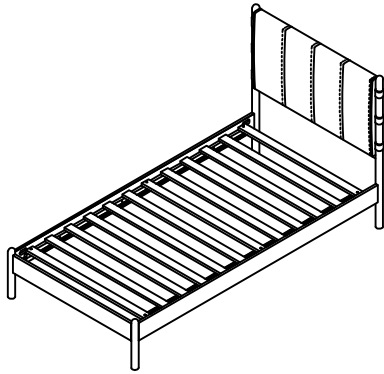


ASSEMBLY INSTRUCTIONS

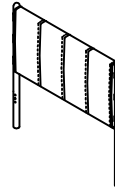
ASHER / ABIGAIL - TWIN

meridian.
furniture

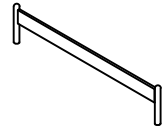


+ Parts Included

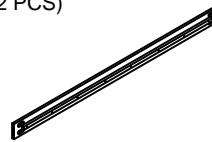
① HEADBOARD
(1 PC)



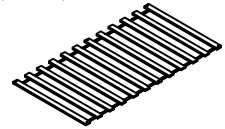
② FOOTBOARD
(1 PC)



③ SIDE RAILS
(2 PCS)



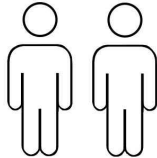
④ SLATS
(1 SET)



+ Do Not Use Power Tools



+ Suggested Adults



NOTE: For questions about parts or assembly please email support@meridianfurnitureusa.com or call us at 718-758-4455.

- 1 Read instructions cover to cover.
- 2 Save all packaging until assembly is completed.

1 IMPORTANT SAFETY INFORMATION

Do not assemble the product if any of the following parts arrived damaged:

- Part 3 - Side Rails
- Part 4 - Slats

2 IMPORTANT ASSEMBLY INFORMATION

Assembly Step Ensure the side rail bracket is fully hooked onto bolt loosely threaded with both washers on the OUTSIDE of the bracket first, then proceed to fully tightening all 4 corners.

+ Hardware Included

A M6 x 60mm
(8 PCS)



B M6
(8 PCS)



C M4 x 32mm
(8 PCS)



D M8 x 30mm
(4 PCS)



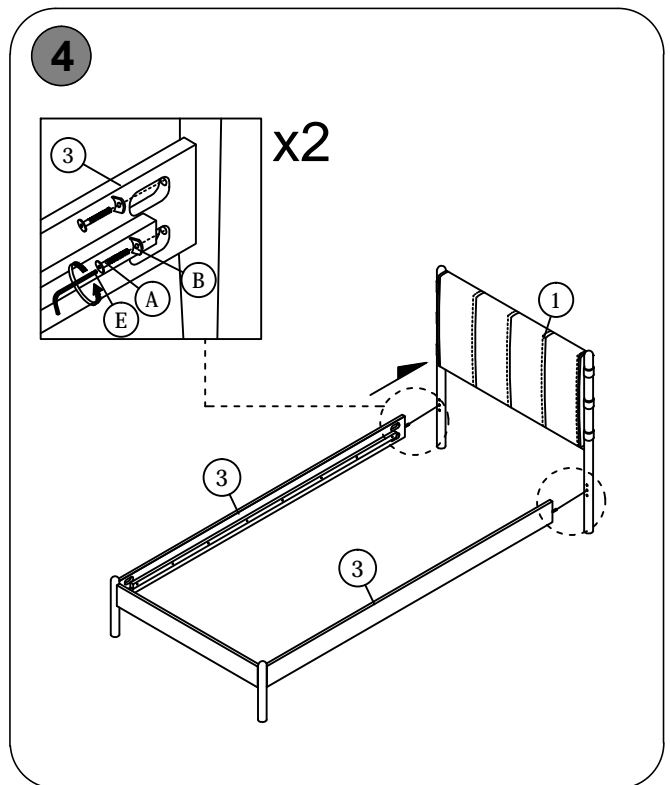
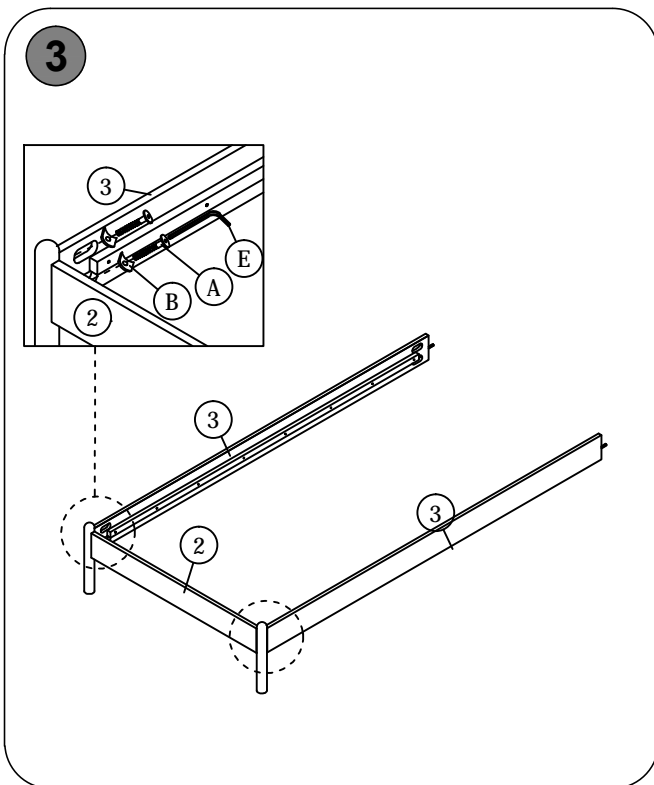
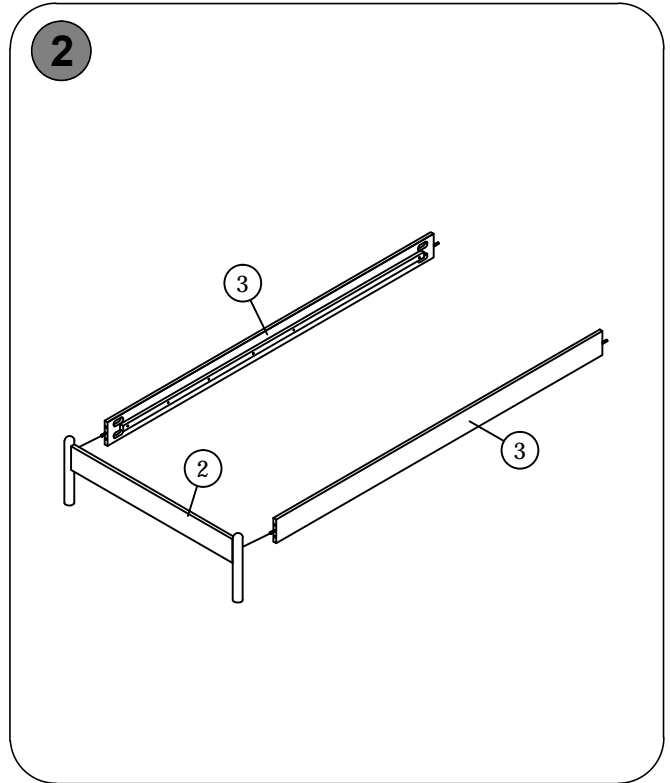
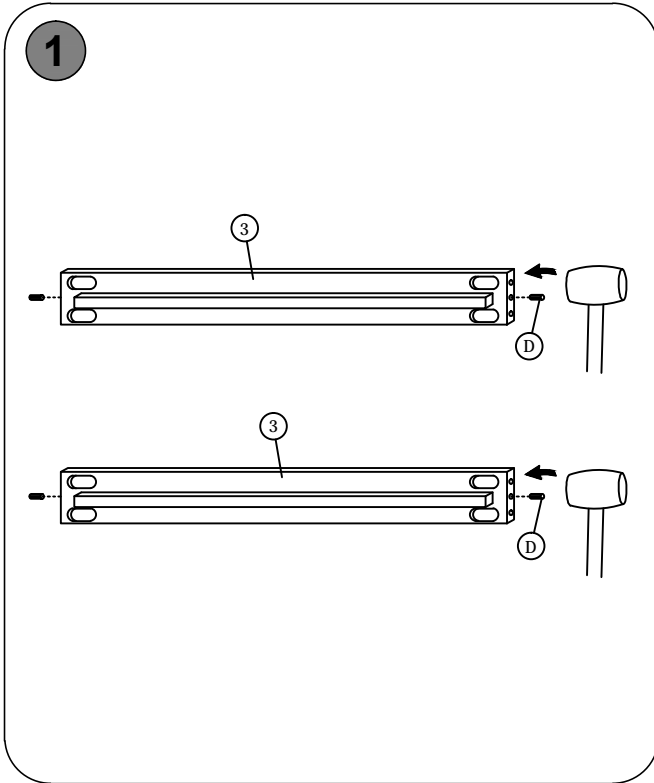
E M4
(1 PC)



ASSEMBLY INSTRUCTIONS

ASHER / ABIGAIL - FULL

meridian.
furniture



NOTE: For questions about parts or assembly please email support@meridianfurnitureusa.com or call us at 718-758-4455.

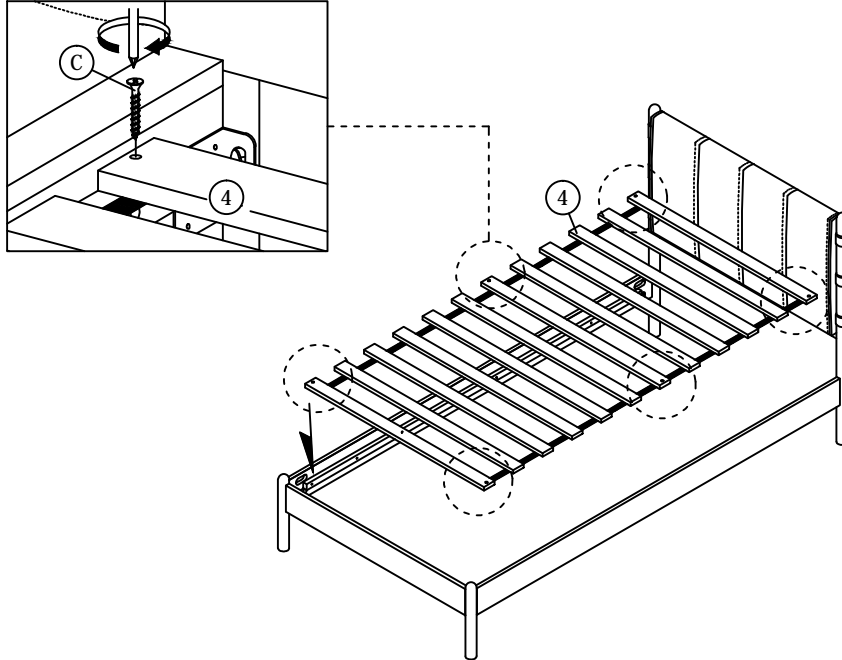
www.MeridianFurnitureUSA.com | support@meridianfurnitureusa.com

ASSEMBLY INSTRUCTIONS

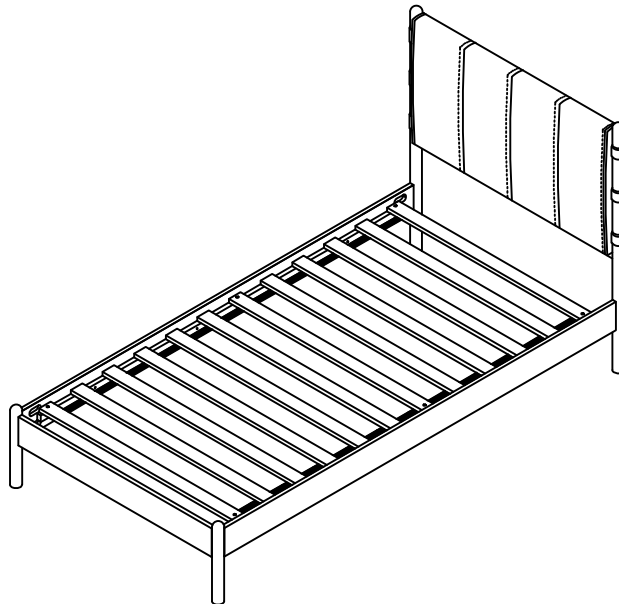
ASHER / ABIGAIL - FULL

meridian.
furniture

5



6



NOTE: For questions about parts or assembly please email support@meridianfurnitureusa.com or call us at 718-758-4455.
www.MeridianFurnitureUSA.com | support@meridianfurnitureusa.com