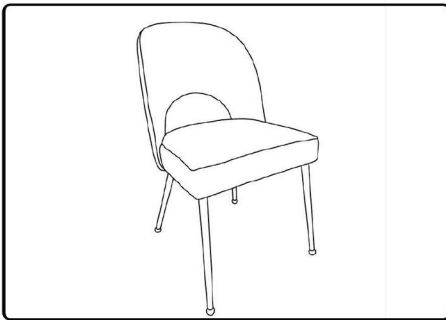


ASSEMBLY INSTRUCTIONS

meridian.
furniture

SKU / ITEM#990/999



+ Do Not Use Power Tools



+ Suggested Adults



NOTE: For questions about parts or assembly please email support@meridianfurnitureusa.com or call us at 718-758-4455.

- 1 Read instructions cover to cover.
- 2 Save all packaging until assembly is completed.

1 IMPORTANT SAFETY INFORMATION

Do not assemble the product if any of the following parts arrived damaged:

- Part # ① - Front Legs
- Part # ② - Back Legs
- Part # ③ - Cushion

Do not assemble if any of the following Hardware parts are missing:

- Part# A - Flat Washer ($\phi 16 * \phi 6$) 12PCS
- Part# B - Bolt (M6*25) 12PCS
- Part# C - Allen wrench (4mm) 1PC

2 IMPORTANT ASSEMBLY INFORMATION

Assembly Step If loosening persists, please make sure to tighten all the bolts periodically, or use a thread locker adhesive.

+ Parts Included

- ① Front Legs 2PCS



- ② Back Legs 2PCS

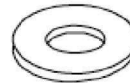


- ③ Cushion 1PC



+ Hardware Included

- A Flat Washer ($\phi 16 * \phi 6$)
12PCS



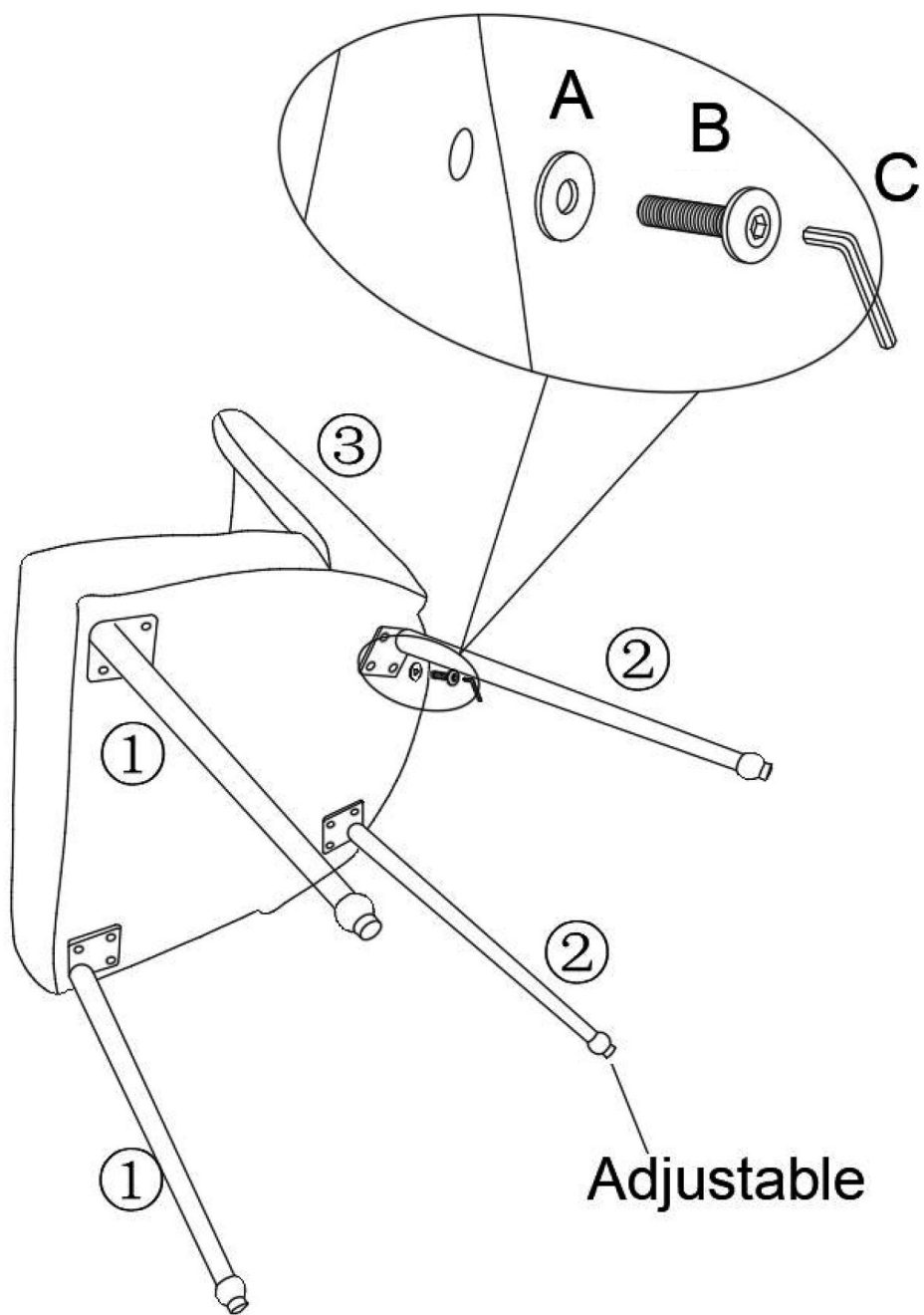
- B Bolt (M6*25)
12PCS



- C Allen wrench (4mm)
1PC



1



NOTE: For questions about parts or assembly please email support@meridianfurnitureusa.com or call us at 718-758-4455.

www.MeridianFurnitureUSA.com | support@meridianfurnitureusa.com