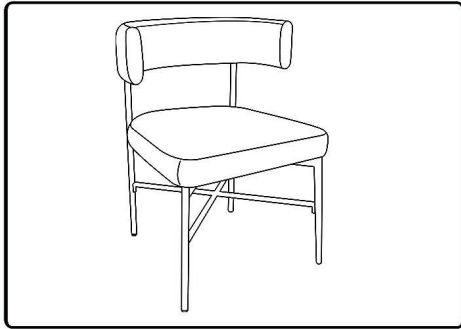


# ASSEMBLY INSTRUCTIONS

meridian.  
furniture

SKU / ITEM# 926/928



## + Do Not Use Power Tools



## + Suggested Adults



**NOTE:** For questions about parts or assembly please email [support@meridianfurnitureusa.com](mailto:support@meridianfurnitureusa.com) or call us at 718-758-4455.

- 1 Read instructions cover to cover.
- 2 Save all packaging until assembly is completed.

## 1 IMPORTANT SAFETY INFORMATION

**Do not** assemble the product if any of the following parts arrived damaged:

Part# ① - backrest Part# ④ - Right Leg 4#  
Part# ② - cushion Part# ⑤ - bracket  
Part# ③ - Left Leg 3#

**Do not** assemble if any of the following Hardware parts are missing:

Part# A - Flat Washer ( $\phi 16 * \phi 6$ ) 5PCS  
Part# B - Bolt (M6\*10) 4PCS  
Part# C - Bolt (M6\*35) 2PCS  
Part# D - Bolt (M6\*35) 1PC  
Part# E - Bolt (M6\*55) 4PCS  
Part# F - Allen wrench (4mm) 1PC  
Part# G - Spring Washer ( $\phi 12 * \phi 6$ ) 5PCS

## 2 IMPORTANT ASSEMBLY INFORMATION

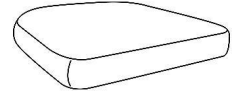
**Assembly Step** If loosening persists, please make sure to tighten all the bolts periodically, or use a thread locker adhesive.

## + Parts Included

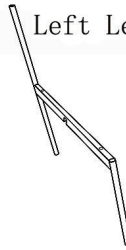
① backrest



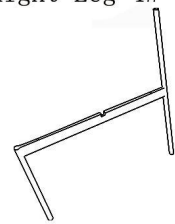
② cushion



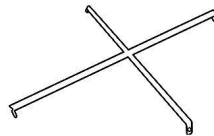
③ Left Leg 3#



④ Right Leg 4#



⑤ bracket



## + Hardware Included

Flat Washer ( $\phi 16 * \phi 6$ )

A 5PCS



Bolt (M6\*10)

B 4PCS



C Bolt (M6\*35)

2PCS



D Bolt (M6\*35)

1PC



E Bolt (M6\*55)

4PCS



F Allen wrench (4mm)

1PC



G Spring Washer ( $\phi 12 * \phi 6$ )

5PCS



# ASSEMBLY INSTRUCTIONS

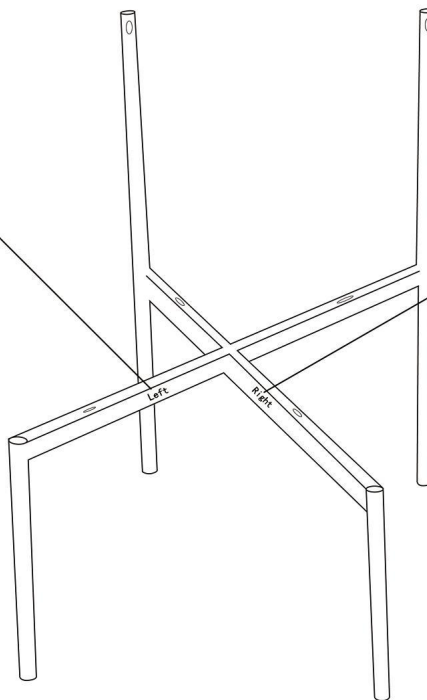
meridian.  
furniture

SKU / ITEM# 926/928

1

3 Left

Right 4



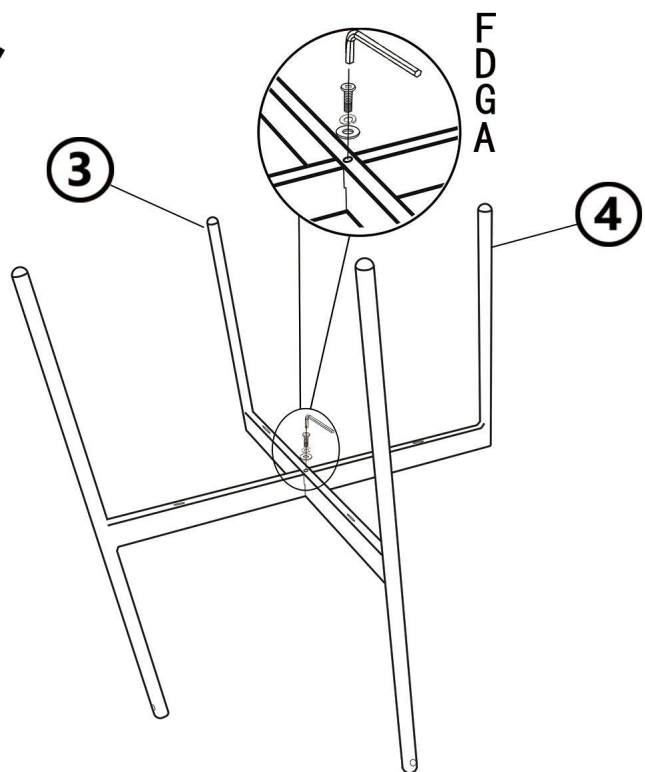
2



3

F  
D  
G  
A

4



**NOTE:** For questions about parts or assembly please email [support@meridianfurnitureusa.com](mailto:support@meridianfurnitureusa.com) or call us at 718-758-4455.

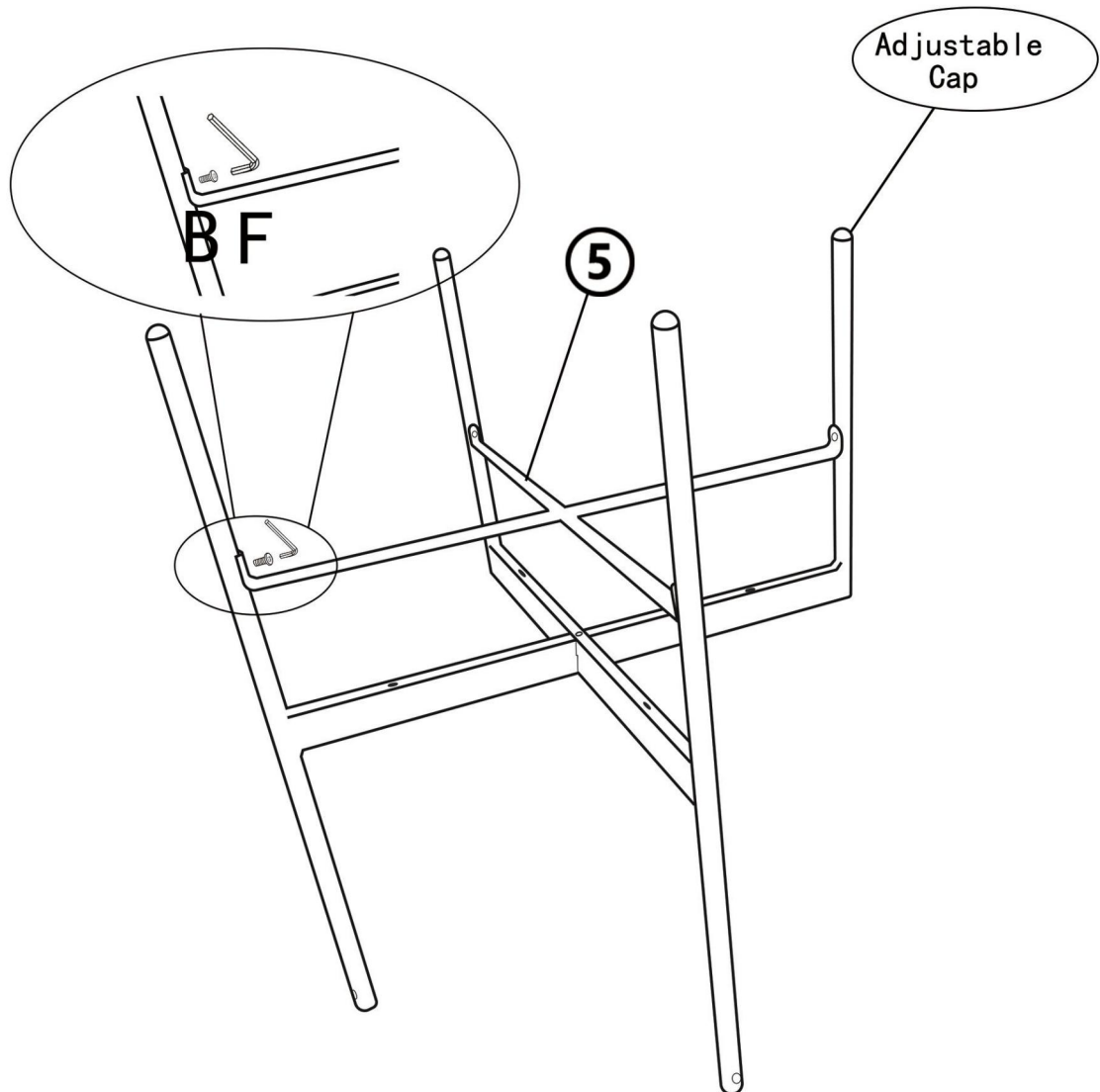
[www.MeridianFurnitureUSA.com](http://www.MeridianFurnitureUSA.com) | [support@meridianfurnitureusa.com](mailto:support@meridianfurnitureusa.com)

# ASSEMBLY INSTRUCTIONS

meridian.  
furniture

SKU / ITEM# 926/928

3



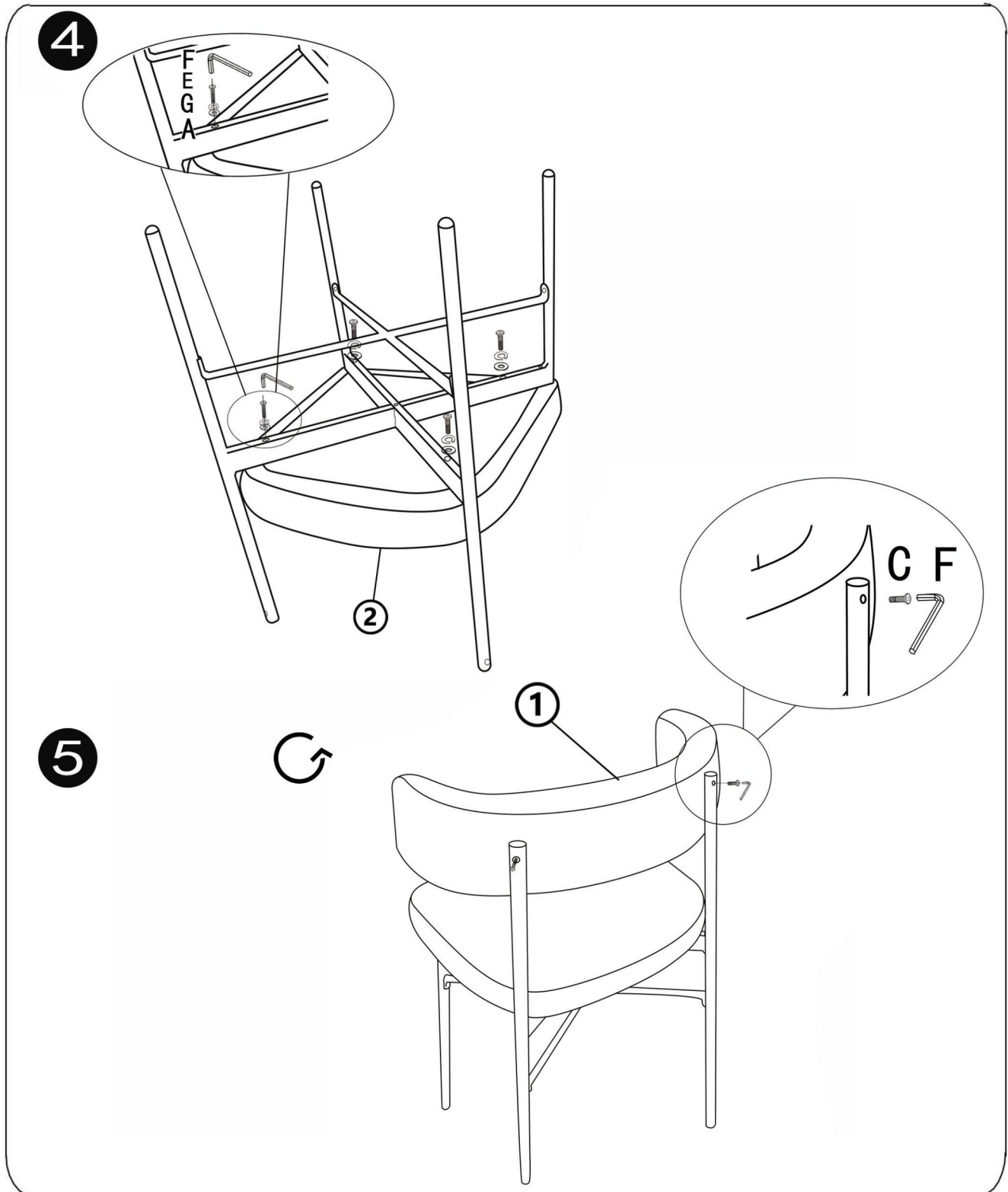
**NOTE:** For questions about parts or assembly please email [support@meridianfurnitureusa.com](mailto:support@meridianfurnitureusa.com) or call us at 718-758-4455.

[www.MeridianFurnitureUSA.com](http://www.MeridianFurnitureUSA.com) | [support@meridianfurnitureusa.com](mailto:support@meridianfurnitureusa.com)

# ASSEMBLY INSTRUCTIONS

meridian.  
furniture

SKU / ITEM# 926/928



**NOTE:** For questions about parts or assembly please email [support@meridianfurnitureusa.com](mailto:support@meridianfurnitureusa.com) or call us at 718-758-4455.

[www.MeridianFurnitureUSA.com](http://www.MeridianFurnitureUSA.com) | [support@meridianfurnitureusa.com](mailto:support@meridianfurnitureusa.com)