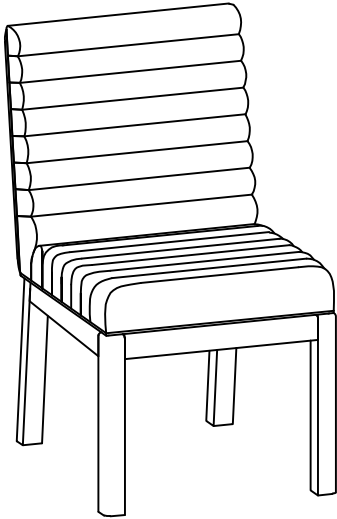


ASSEMBLY INSTRUCTIONS

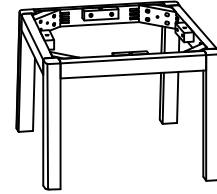
901 / 902 / 903 - C

meridian.
furniture

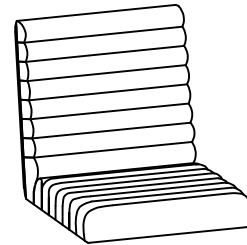


+Parts Included

① Leg frame (1 pc)



② Seat frame (1 pc)



+Do Not Use Power Tools



+Suggested Adults



NOTE: For questions about parts or assembly please email support@meridianfurnitureusa.com or call us at 718-758-4455.

- 1 Read instructions cover to cover.
- 2 Save all packaging until assembly is completed.

1 IMPORTANT SAFETY INFORMATION

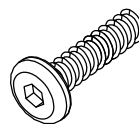
- Do not** assemble the product if the parts arrived damaged.
- Do not** assemble if Hardware parts are missing.

2 IMPORTANT ASSEMBLY INFORMATION

Assembly Step If loosening persists, please make sure to tighten all the bolts periodically, or use a thread locker adhesive.

+Parts Included

A. Bolt
Ø8x45mm (4 pcs)



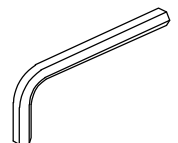
B. Spring Washer
Ø8xØ13mm (4 pcs)



C. Flat Washer
Ø8xØ19mm (4 pcs)



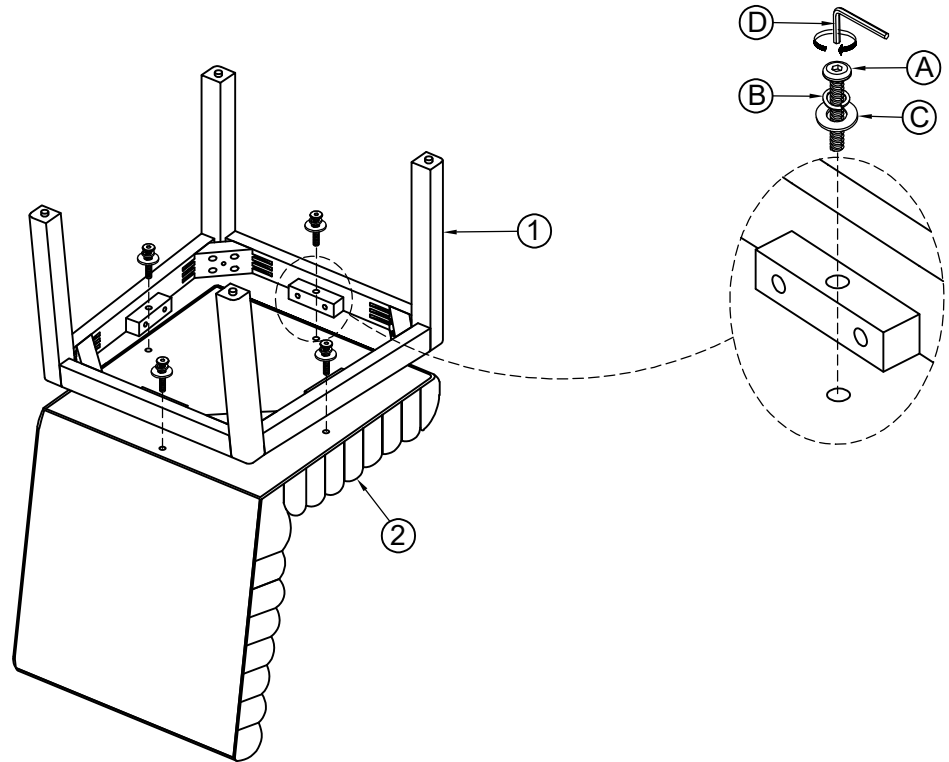
D. Allen Key (1 pc)



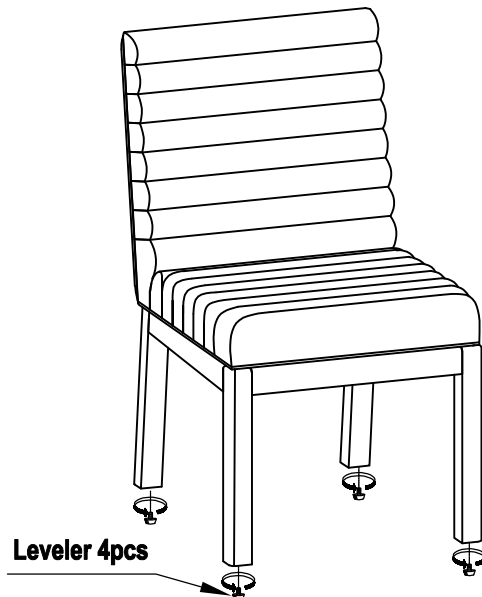
ASSEMBLY INSTRUCTIONS

901 / 902 / 903 - C

①



②



NOTE: For questions about parts or assembly please email support@meridianfurnitureusa.com or call us at 718-758-4455.
www.MeridianFurnitureUSA.com | support@meridianfurnitureusa.com