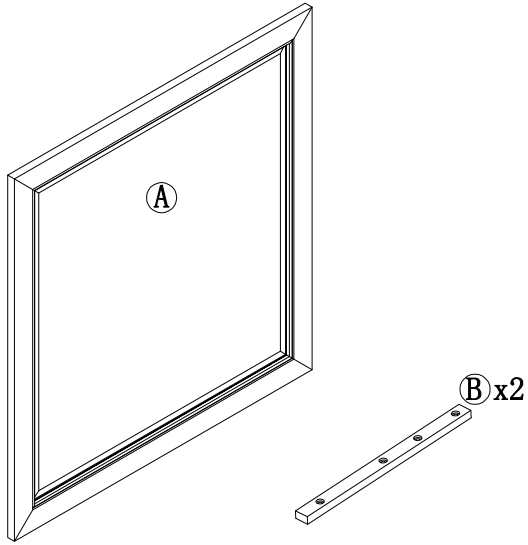
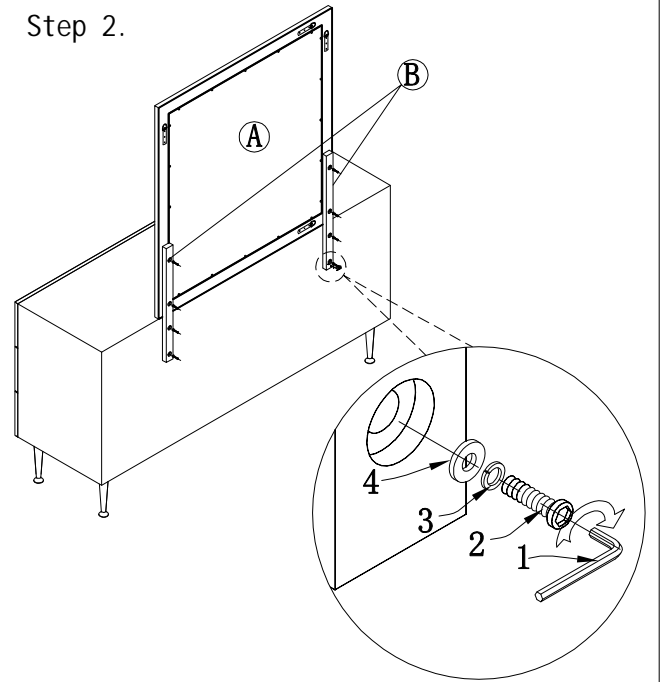


ASSEMBLY INSTRUCTIONS
Item No. :GJ-8001-A/B
MODEL NO. : 844Navy-M/844White-M

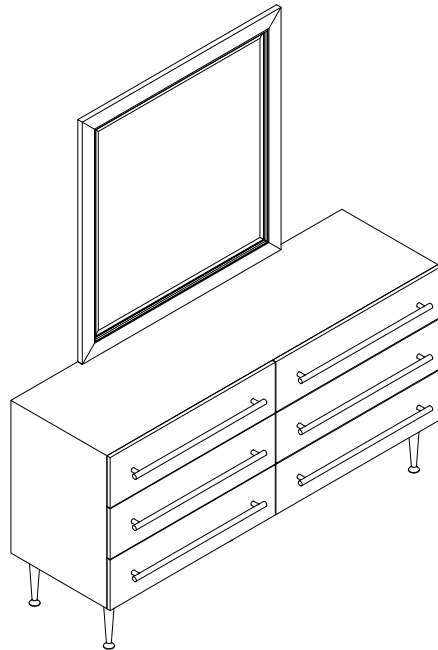
Step 1.



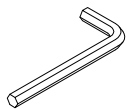
Step 2.



Step 3.

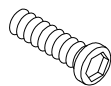


1



1pc/unit

2



8pcs/unit

3



8pcs/unit

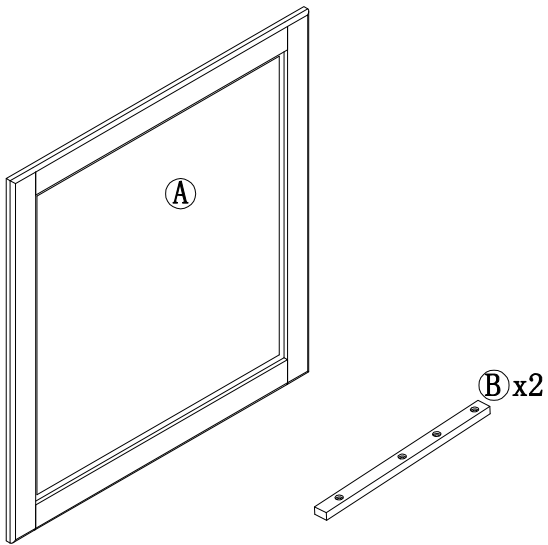
4



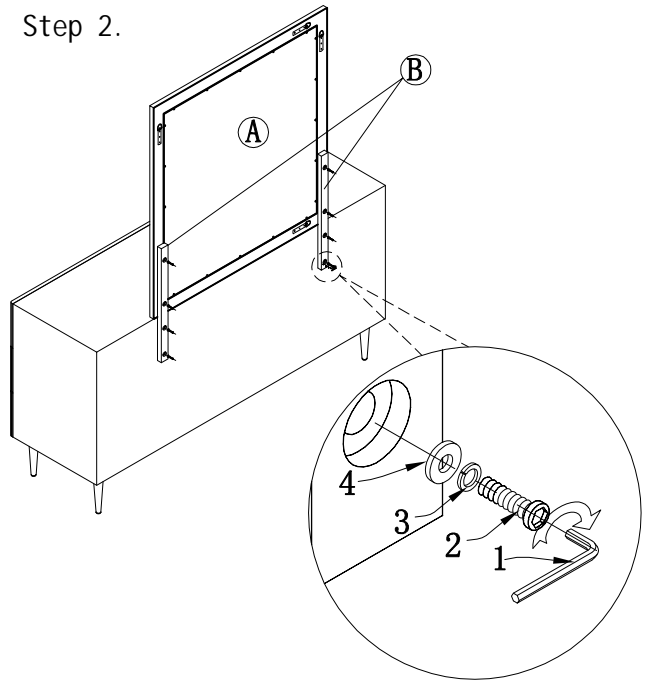
8pcs/unit

ASSEMBLY INSTRUCTIONS
Item No. :GJ-8002-A/B
MODEL NO. : 842Black-M/842White-M

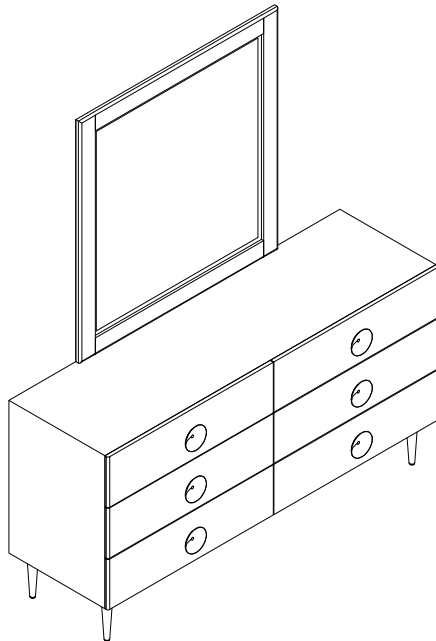
Step 1.



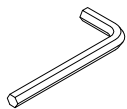
Step 2.



Step 3.

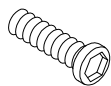


1



1pc/unit

2



8pcs/unit

3



8pcs/unit

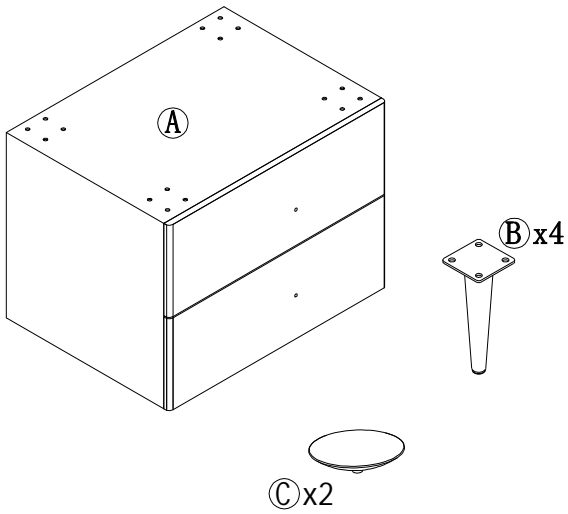
4



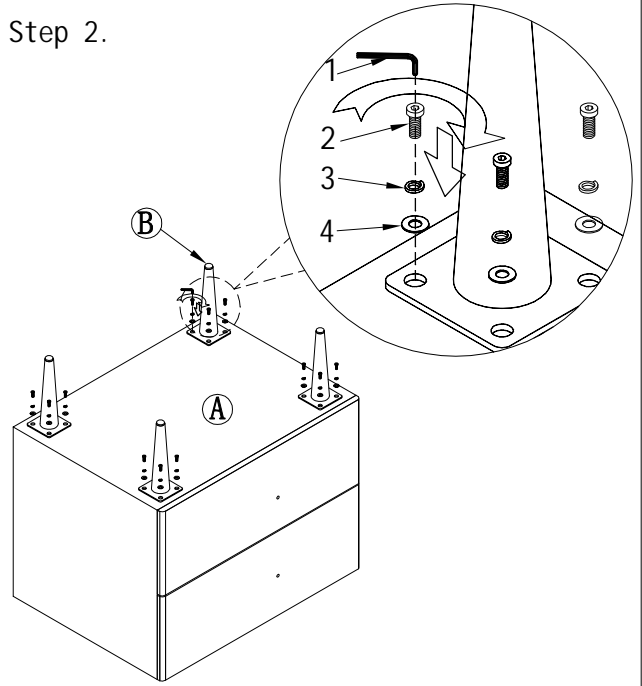
8pcs/unit

ASSEMBLY INSTRUCTIONS
 Item No. : JS-8064-A/B
 MODEL NO. : 842White-NS/842Black-NS

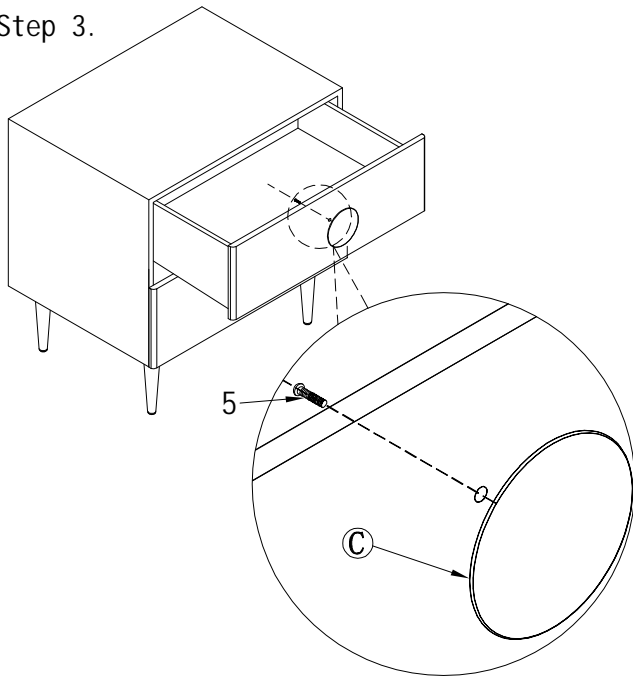
Step 1.



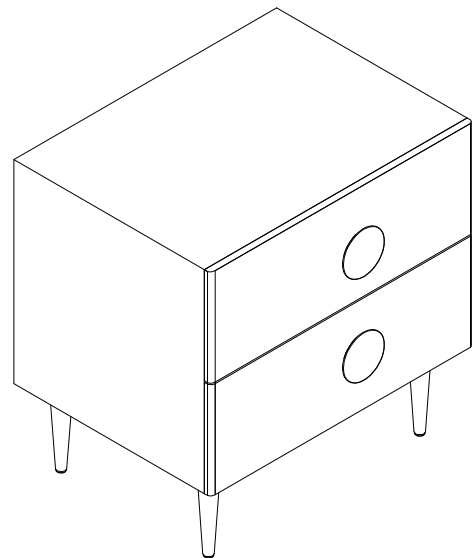
Step 2.



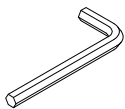
Step 3.



Step 4.

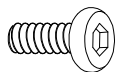


1



1pc/unit

2



16pcs/unit

3



16pcs/unit

4



16pcs/unit

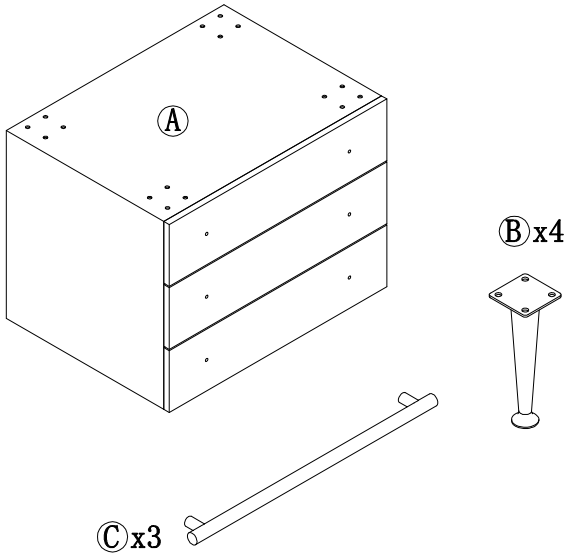
5



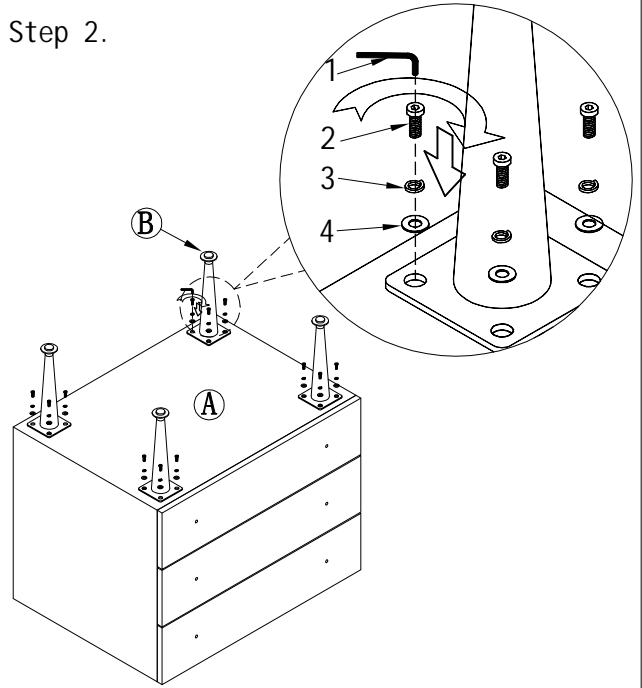
2pcs/unit

ASSEMBLY INSTRUCTIONS
 Item No. : JS-8037-A/B
 MODEL NO. : 844Navy-NS/844White-NS

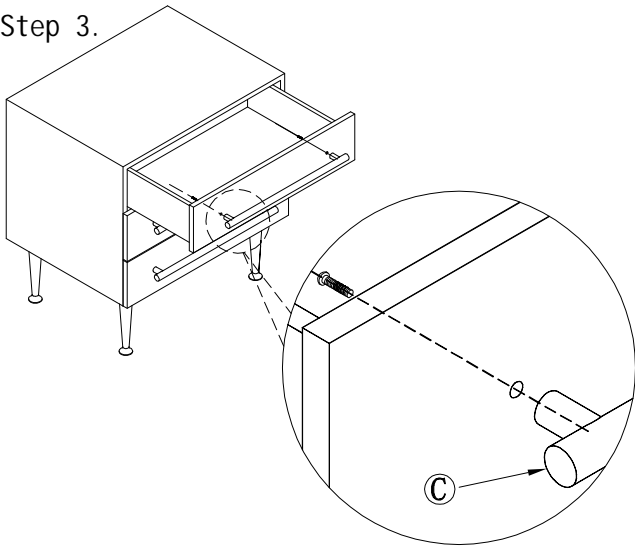
Step 1.



Step 2.

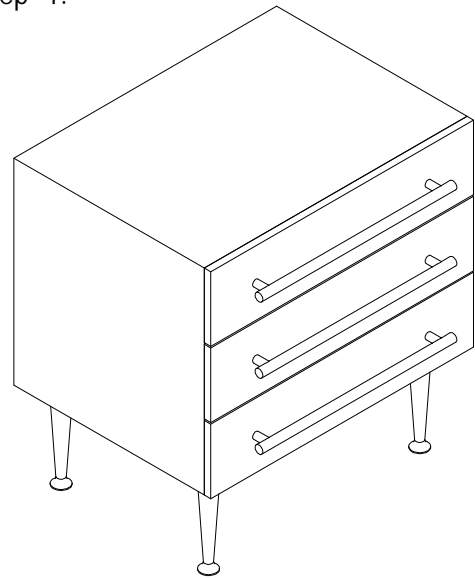


Step 3.

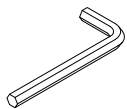


Remove the handle from inside drawer and install at the front.
 Do not overtighten the handle to avoid damage.

Step 4.

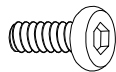


1



1pc/unit

2



16pcs/unit

3



16pcs/unit

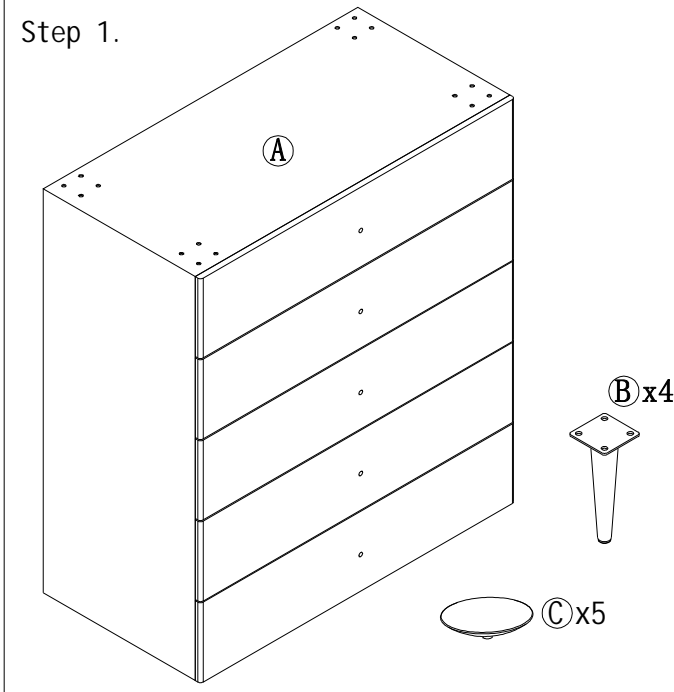
4



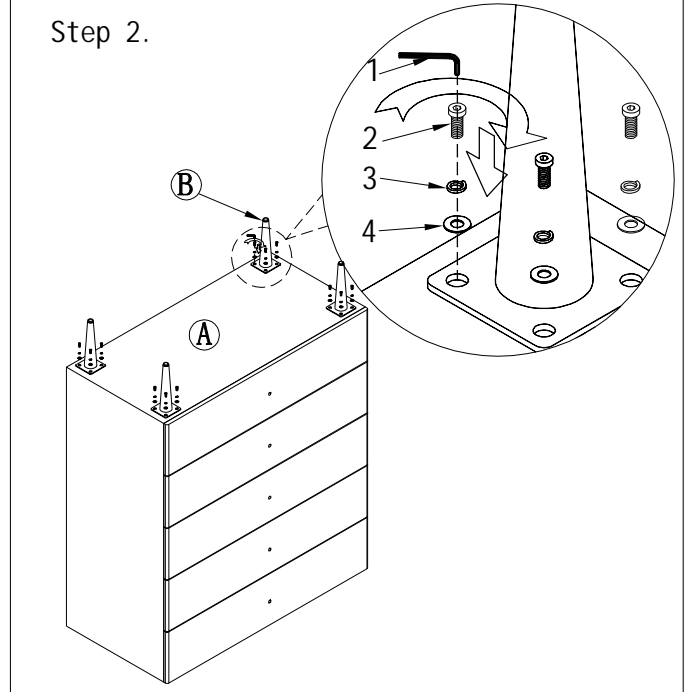
16pcs/unit

ASSEMBLY INSTRUCTIONS
 Item No. : JS-8055-A/B
 MODEL NO. : 842White-CH/842Black-CH

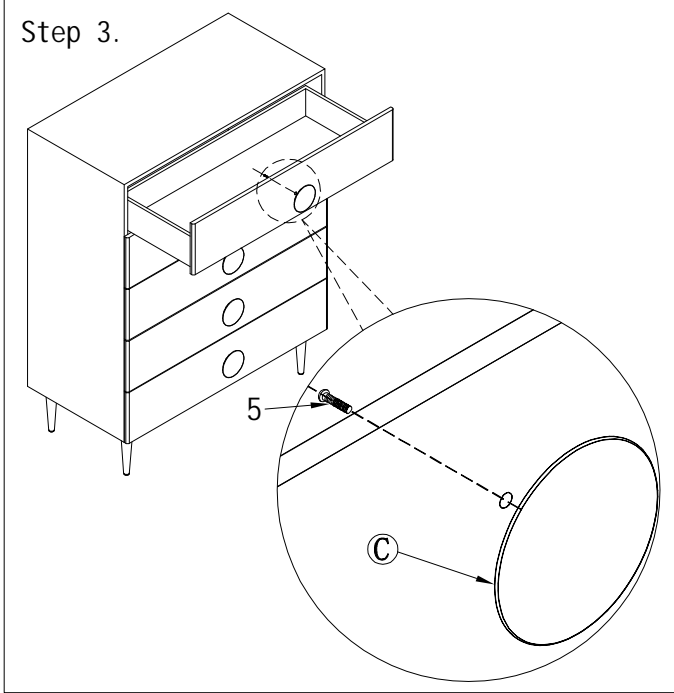
Step 1.



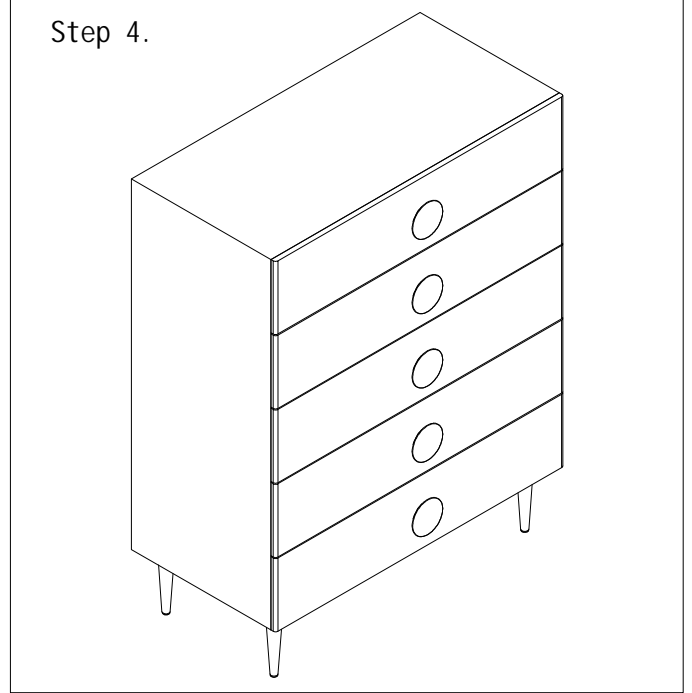
Step 2.



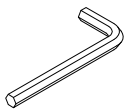
Step 3.



Step 4.

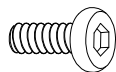


1



1pc/unit

2



16pcs/unit

3



16pcs/unit

4



16pcs/unit

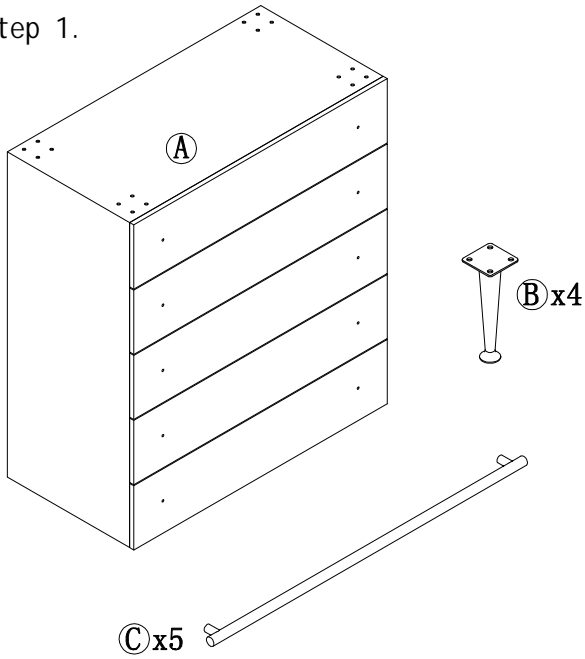
5



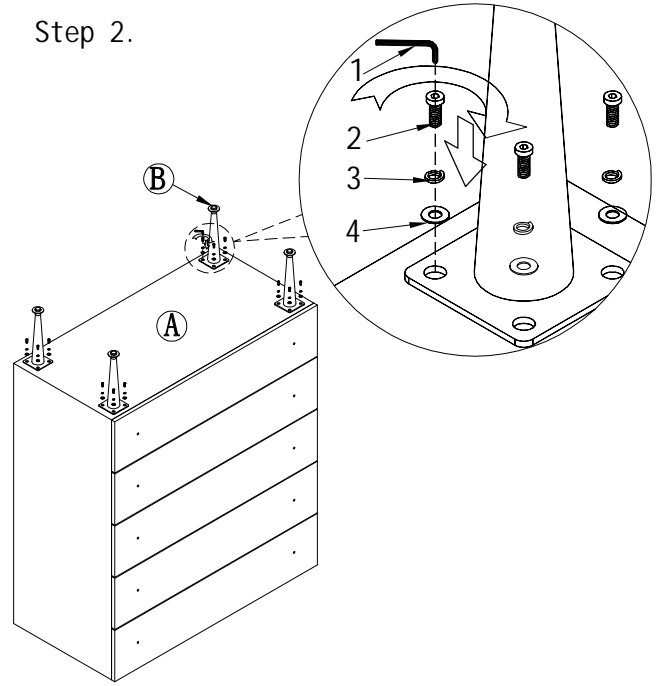
5pcs/unit

ASSEMBLY INSTRUCTIONS
 Item No. : JS-8052-A/B
 MODEL NO. : 844Navy-CH/844White-CH

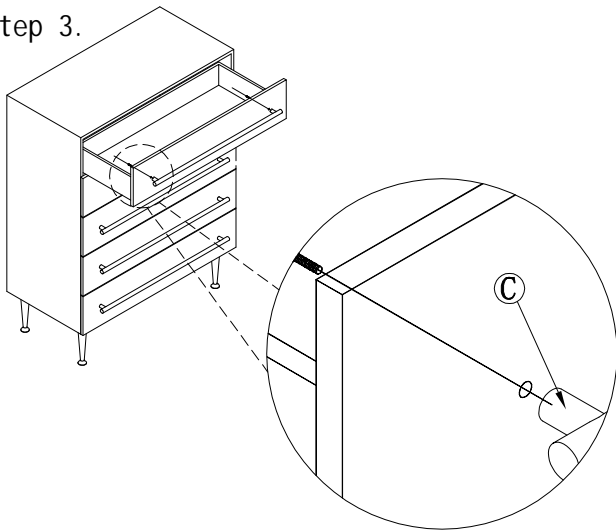
Step 1.



Step 2.

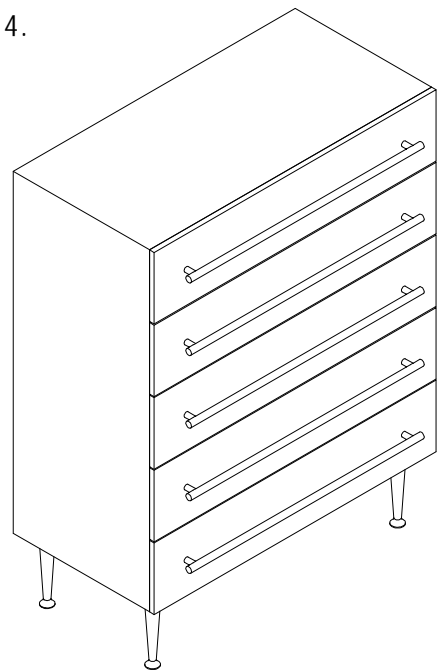


Step 3.

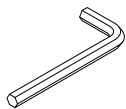


Remove the handle from inside drawer and install at the front.
 Do not overtighten the handle to avoid damage.

Step 4.

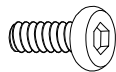


1



1pc/unit

2



16pcs/unit

3



16pcs/unit

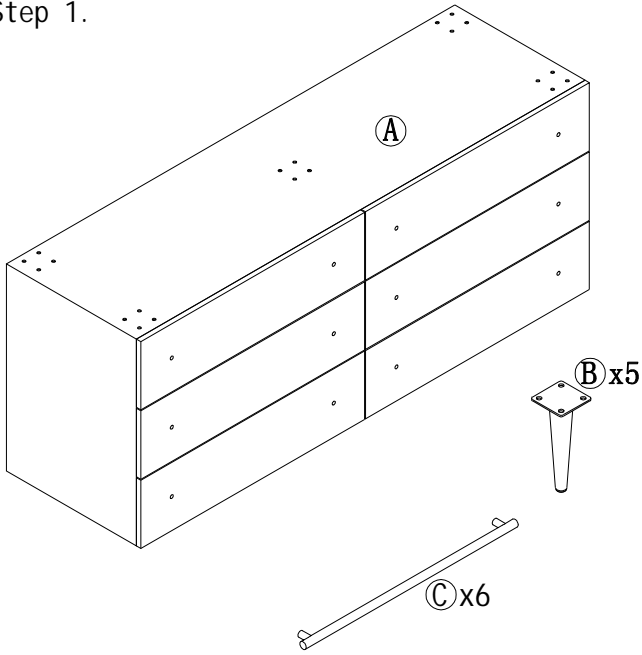
4



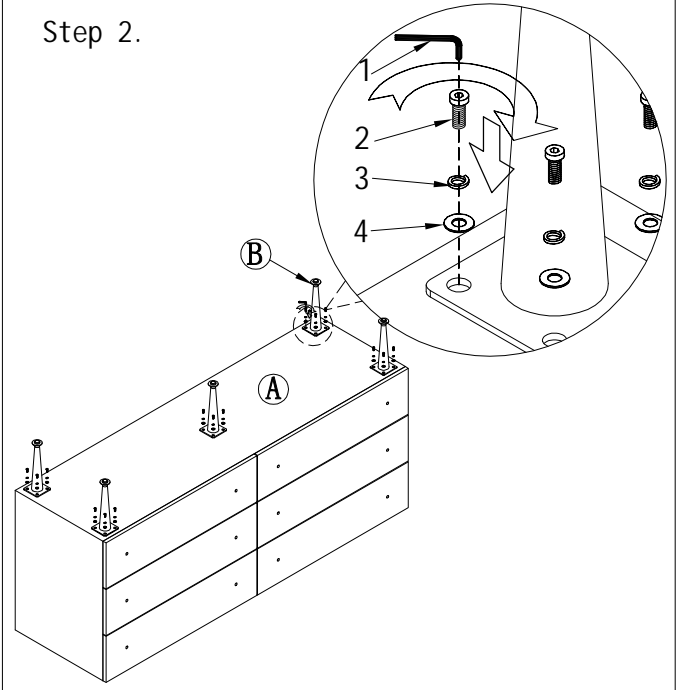
16pcs/unit

ASSEMBLY INSTRUCTIONS
 Item No. : JS-8053-A/B
 MODEL NO. : 844Navy-D/844White-D

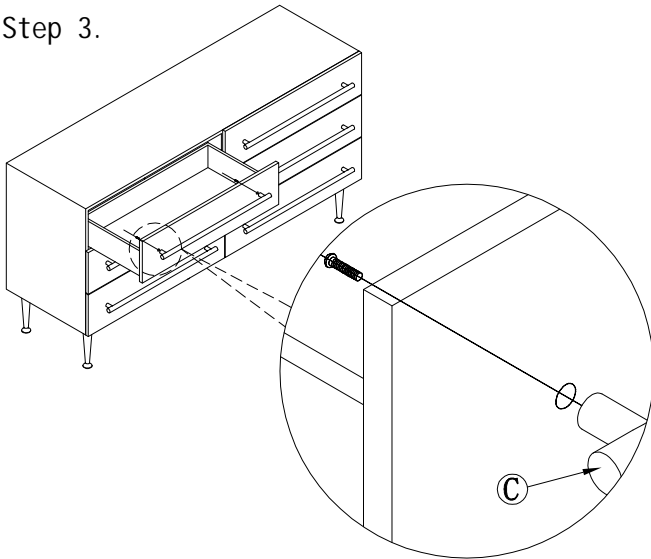
Step 1.



Step 2.

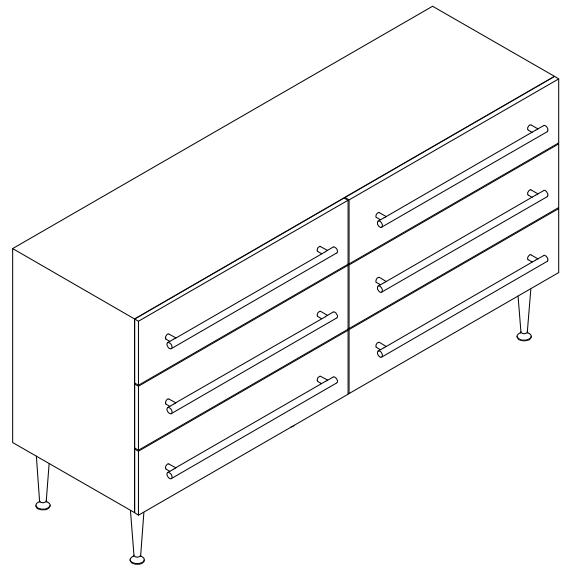


Step 3.

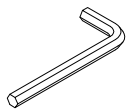


Remove the handle from inside drawer and install at the front.
 Do not overtighten the handle to avoid damage.

Step 4.

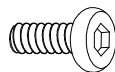


1



1pc/unit

2



20pcs/unit

3



20pcs/unit

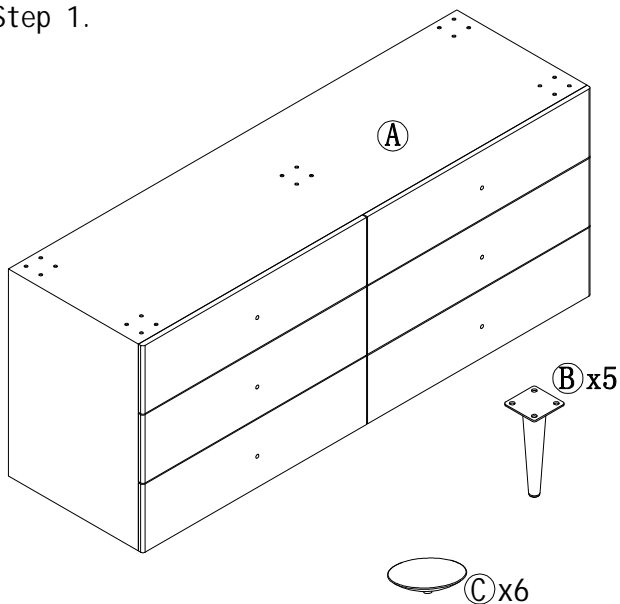
4



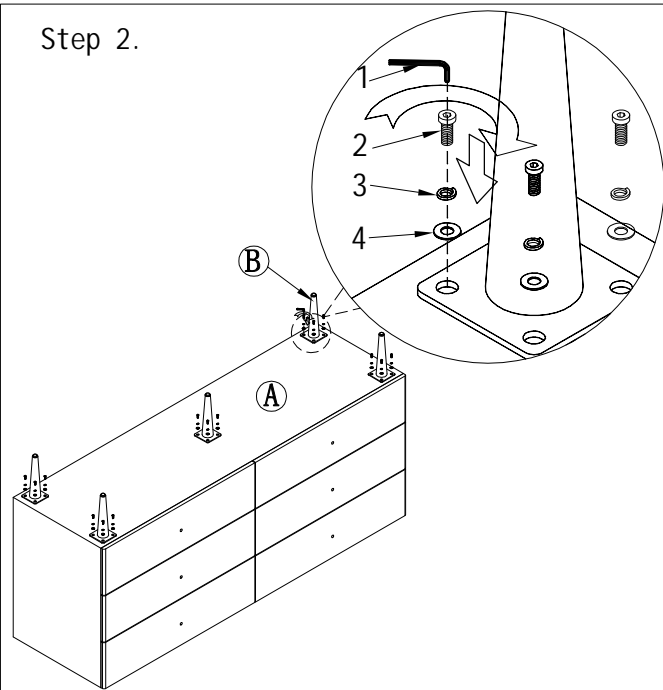
20pcs/unit

ASSEMBLY INSTRUCTIONS
 Item No. : JS-8056-A/B
 MODEL NO. : 842White-D/842Black-D

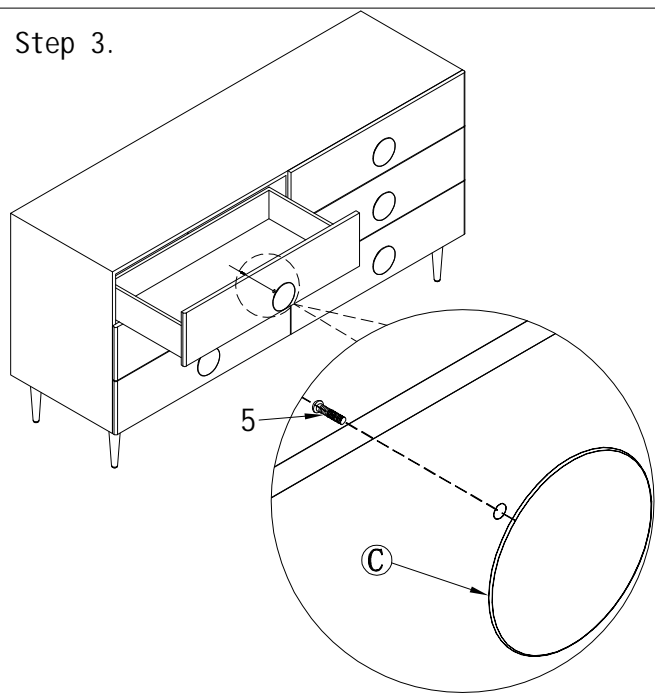
Step 1.



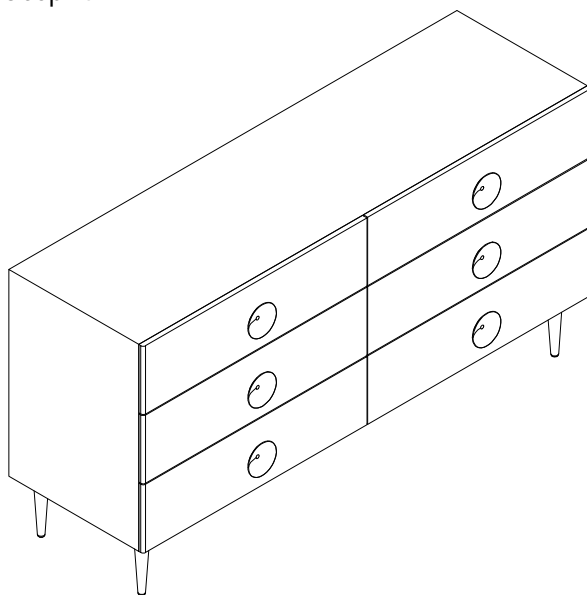
Step 2.



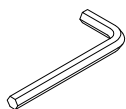
Step 3.



Step 4.

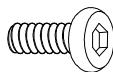


1



1pc/unit

2



20pcs/unit

3



20pcs/unit

4



20pcs/unit

5



6pcs/unit