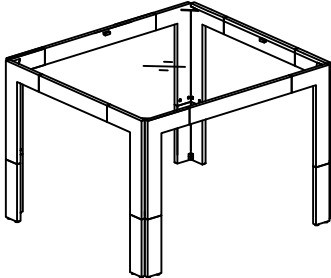


ASSEMBLY INSTRUCTIONS

718-T GOLD DINING TABLE

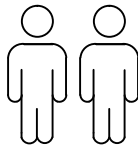
721-T CHROME DINING TABLE



+ Do Not Use PowerTools



+ Suggested Adults



NOTE: For questions about parts or assembly please email support@meridianfurnitureusa.com or call us at 718-758-4455.

1 Read instructions cover to cover.

2 Save all packaging until assembly is completed.

1 IMPORTANT SAFETY INFORMATION

Do not assemble the product if any of the following parts arrived damaged:

Part # -Table Top

Tempered Glass Warning: Should the tempered glass chip at ANY point throughout ownership, please immediately discontinue use of the table to avoid injury.

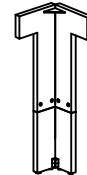
CAUTION : DO NOT place hot objects (100°F or more) directly on the glass surface.

2 IMPORTANT ASSEMBLY INFORMATION

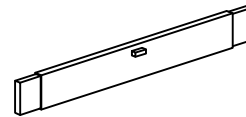
Assembly Step Use Bolt A to connect Part 1 to Part 2.

+ Parts Included

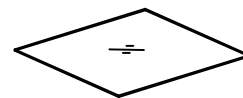
① Leg
4PCS



② Acrylic Rail
4PCS



③ Glass Top
1PC



+ Hardware Included

A Bolt(1/4"*3/4")
16 PCS



B Washer(1/4")
16 PCS



C Spring Washer(1/4")
16 PCS



D Allen Key(4mm)
1 PC



E Antiskid Pad
8 PCS



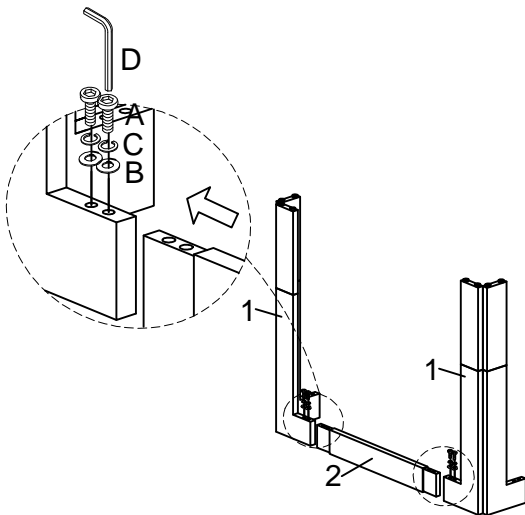
ASSEMBLY INSTRUCTIONS

meridian.
furniture

718-T GOLD DINING TABLE

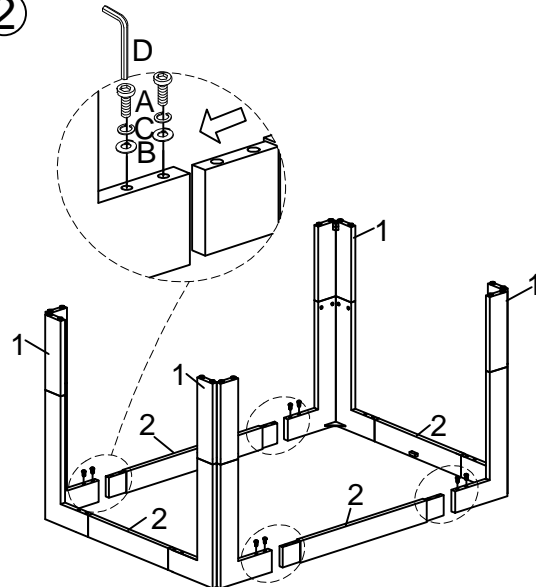
721-T CHROME DINING TABLE

①



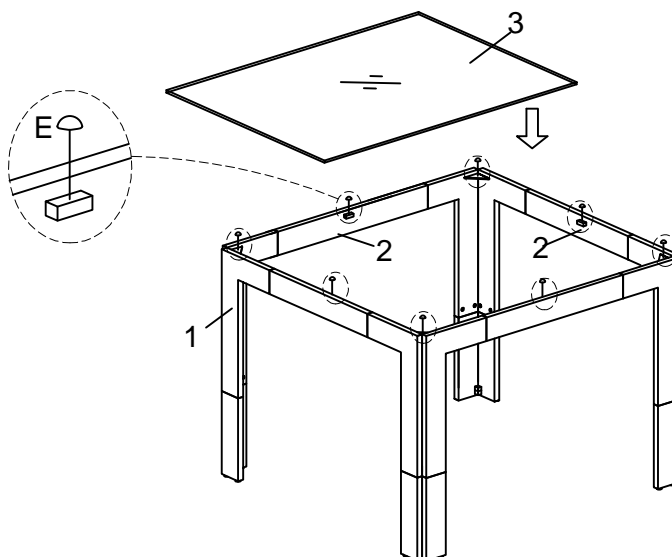
Note: Do not fully tighten the bolts at this step.

②



Note: Do not fully tighten the bolts at this step.

③



Note: Fully tighten all bolts at this step.

NOTE: For questions about parts or assembly please email
support@meridianfurnitureusa.com or call us at 718-758-4455.
www.MeridianFurnitureUSA.com | support@meridianfurnitureusa.com