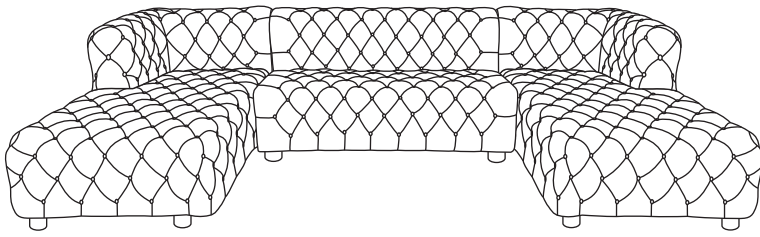


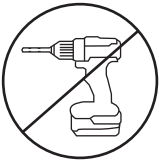
# ASSEMBLY INSTRUCTIONS

## SKU - #676 Sectional

meridian.  
furniture



**+ Do Not Use  
Power Tools**



**+ Suggested  
Adults**



**NOTE:** For questions about parts or assembly please email [support@meridianfurnitureusa.com](mailto:support@meridianfurnitureusa.com) or call us at 718-758-4455.

- 1 Read instructions cover to cover.
- 2 Save all packaging until assembly is completed.

### 1 IMPORTANT SAFETY INFORMATION

**Do not** assemble the product if any of the following parts arrived damaged:

Part# -Left Chaise Base

Part# -Right Chaise Base

Part# -Armless Loveseat Base

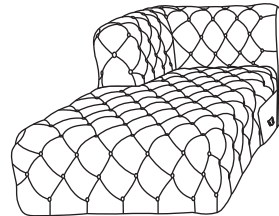
Part# -Leg

### 2 IMPORTANT ASSEMBLY INFORMATION

**Assembly Step** If loosening persists, please make sure to tighten all the bolts periodically, or use a thread locker adhesive.

#### + Parts Included

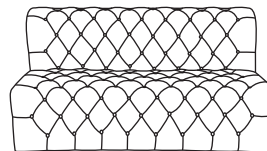
① Left Chaise  
Base 1 pc



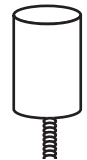
② Right Chaise  
Base 1 pc



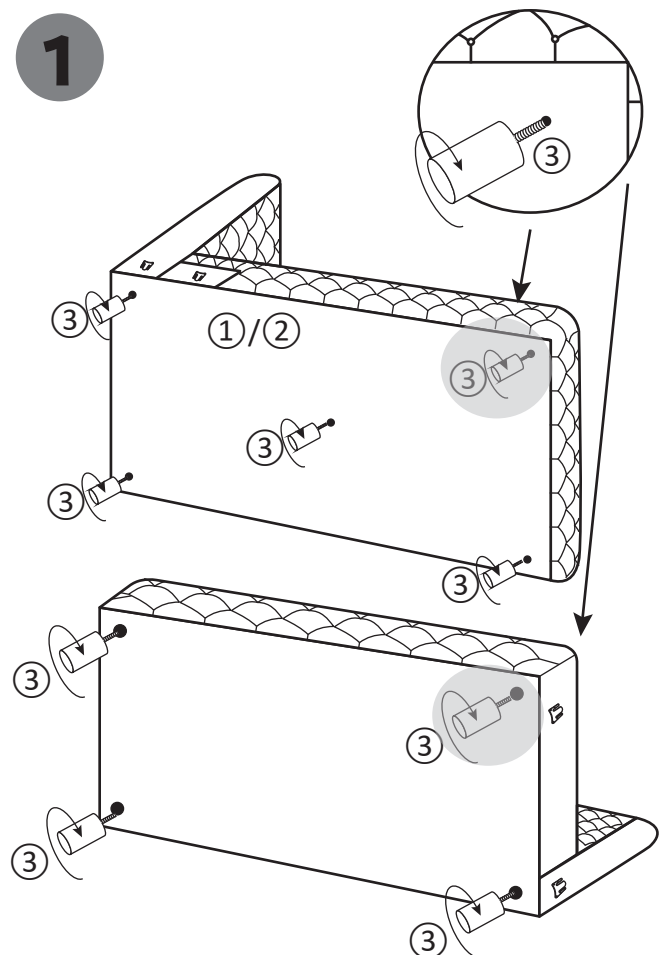
③ Armless Loveseat  
Base 1 pc



④ Leg 14 pcs



1



# ASSEMBLY INSTRUCTIONS

SKU - #676 Sectional

meridian.  
furniture

2

