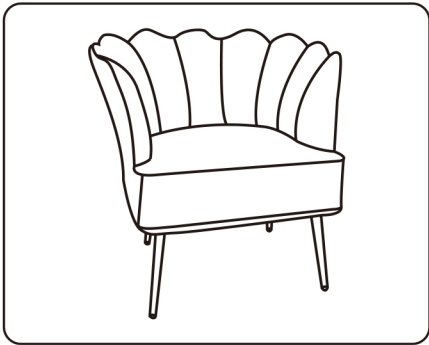


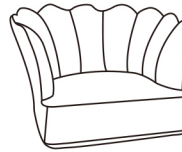
# ASSEMBLY INSTRUCTIONS **meridian.** furniture

SKU / ITEM# 516- ACCENT CHAIR



## + Parts Included

① Seat  
1PC



② Leg  
4PCS



## + Do Not Use Power Tools



## + Suggested Adults



**NOTE:** For questions about parts or assembly please email [support@meridianfurnitureusa.com](mailto:support@meridianfurnitureusa.com) or call us at 718-758-4455.

- 1 Read instructions cover to cover.
- 2 Save all packaging until assembly is completed.

## 1 **IMPORTANT SAFETY INFORMATION**

**Do not** assemble the product if any of the following parts arrived damaged:

Part ① - Seat

Part ② - Leg

**Do not** assemble if any of the following Hardware parts are missing:

Part A - Bolt

Part B - Wrench

## 2 **IMPORTANT ASSEMBLY INFORMATION**

**Assembly Step** If loosening persists, please make sure to tighten all the bolts periodically, or use a thread locker adhesive.

## + Hardware Included

A BOLT  
12PCS

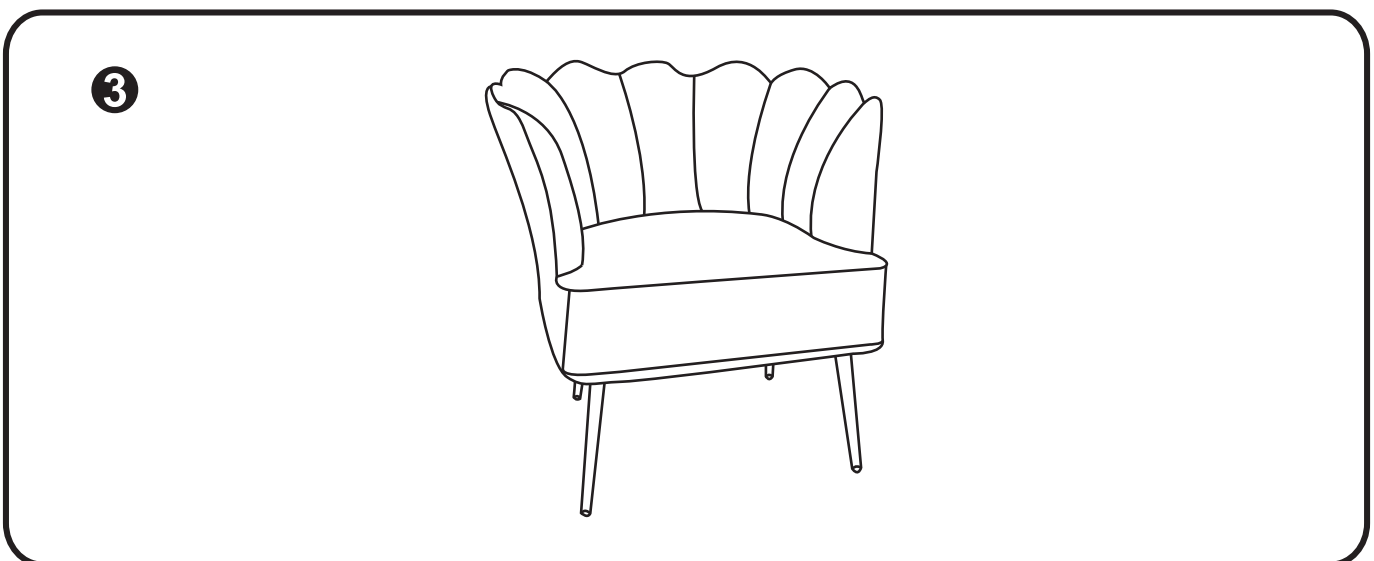
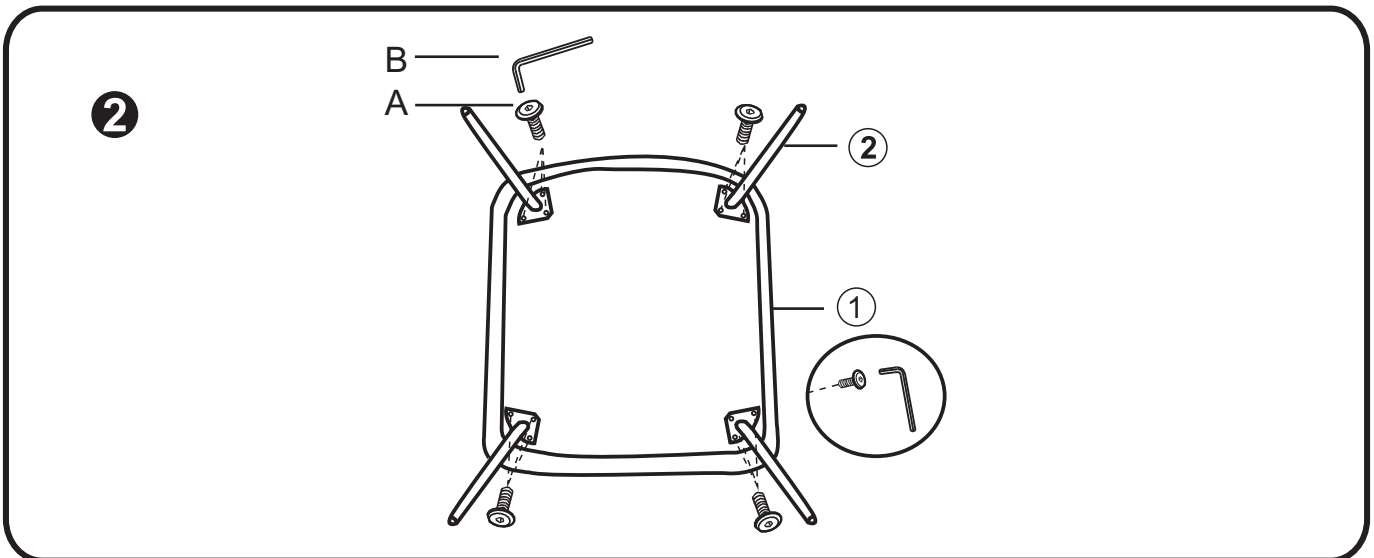
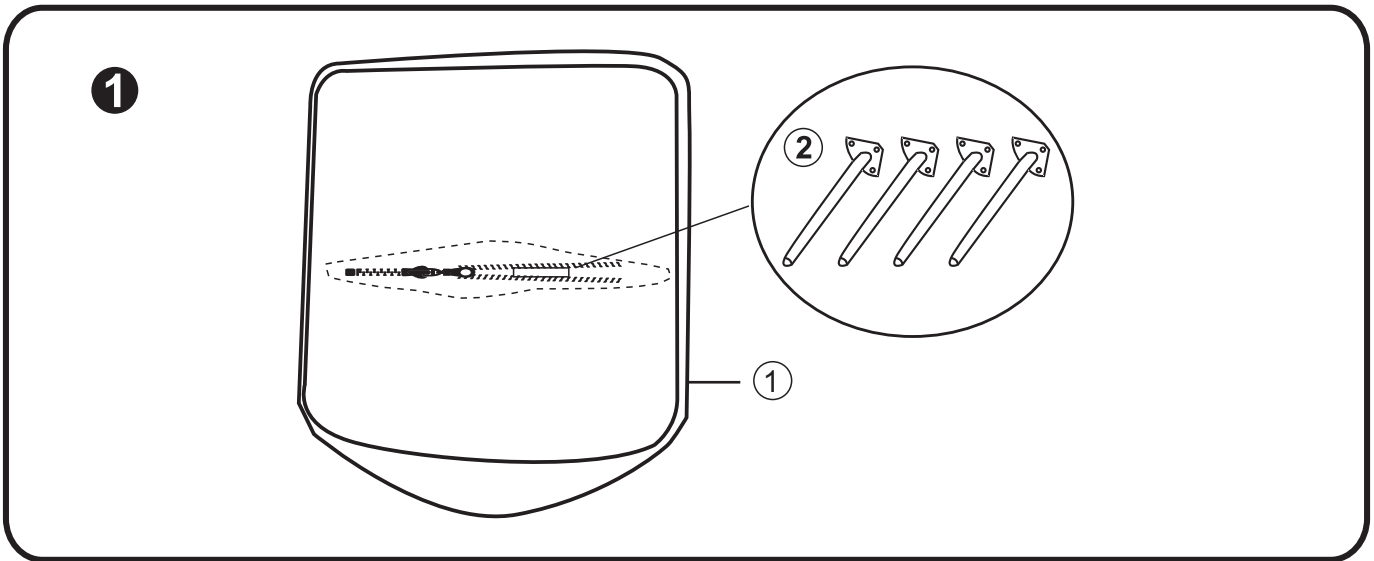


B Wrench  
1PC



# ASSEMBLY INSTRUCTIONS **meridian.** furniture

SKU / ITEM# 516- ACCENT CHAIR



**NOTE:** For questions about parts or assembly please email [support@meridianfurnitureusa.com](mailto:support@meridianfurnitureusa.com) or call us at 718-758-4455  
[www.MeridianFurnitureUSA.com](http://www.MeridianFurnitureUSA.com)|[support@meridianfurnitureusa.com](mailto:support@meridianfurnitureusa.com)