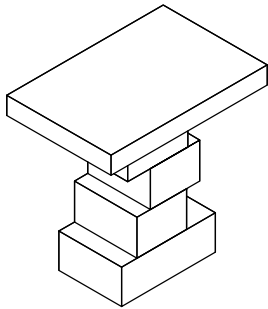


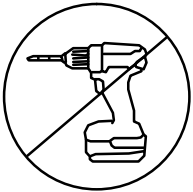
ASSEMBLY INSTRUCTIONS

meridian.
furniture

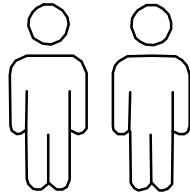
499-ET END TABLE



+ Do Not Use
Power Tools



+ Suggested
Adults



NOTE: For questions and about parts or assembly please email support@meridianfurnitureusa.com or call us at 718-758-4455

- 1 Read instructions cover to cover.
- 2 Save all packaging until assembly is completed.

1 IMPORTANT SAFETY INFORMATION

Do not assemble the product if any of the following parts arrived damaged:

- Part 1 - Top panel
- Part 2 - center panel
- Part 3 - Base

Do not assemble if any of the following Hardware parts are missing:

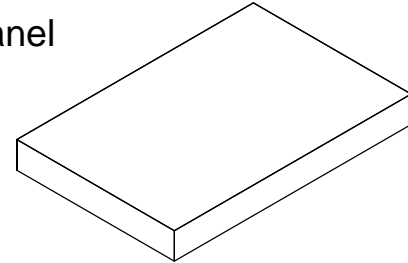
- Part A - Bolt
- Part B - Spring washer
- Part C - Flat washer
- Part D - Allen wrench
- Part E - Dowels

2 IMPORTANT ASSEMBLY INFORMATION

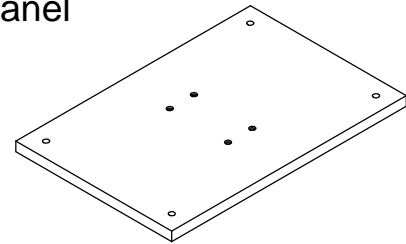
Assembly Step If loosening persists, please make sure to tighten all the bolts periodically, or use a thread locker adhesive.

+ Parts Included

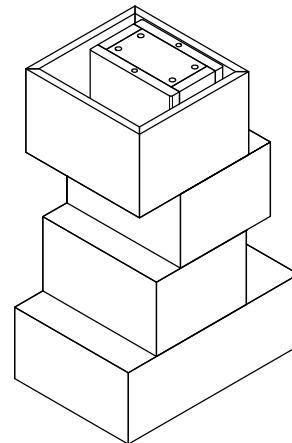
- ① Top panel
1pc



- ② center panel
1pc

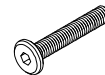


- ③ Base
1pc



+ Hardware Included

- A Bolt $\Phi 5/16"$ x 1 1/2" (8pcs)



- B Spring washer $\Phi 5/16"$ x $\Phi 13$ x1mm (8pcs)



- C Flat washer $\Phi 5/16"$ x $\Phi 19$ x 2mm (8pcs)



- D Allen wrench (4mm) (1pc)



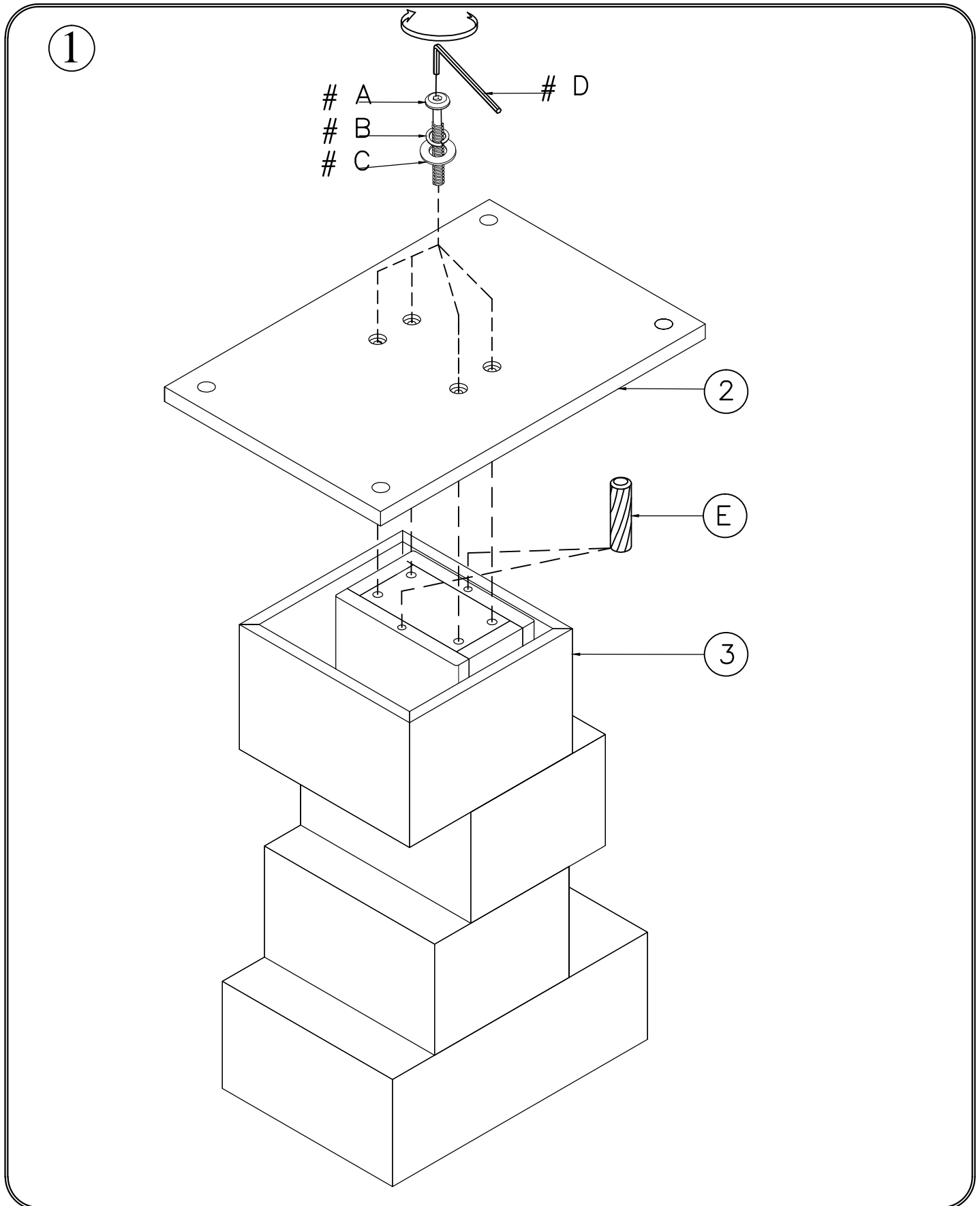
- E Dowels $\Phi 8$ x 30mm (2pcs)



ASSEMBLY INSTRUCTIONS

meridian.
furniture

499-ET END TABLE



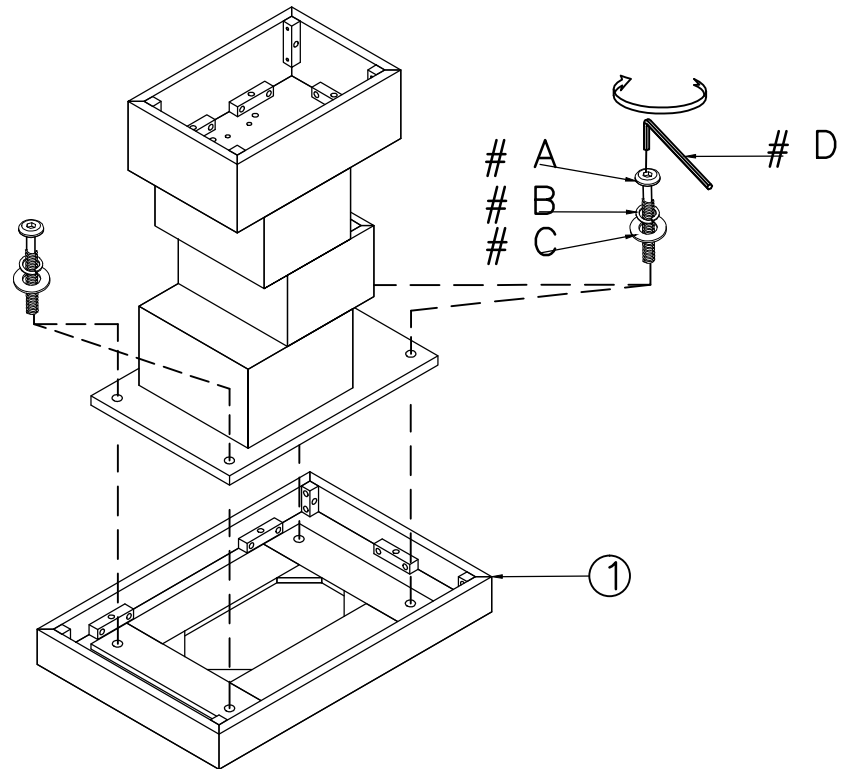
NOTE: For questions about parts or assembly please email
support@meridianfurnitureusa.com or call us at 718-758-4455.
www.MeridianFurnitureUSA.com | support@meridianfurnitureusa.com

ASSEMBLY INSTRUCTIONS

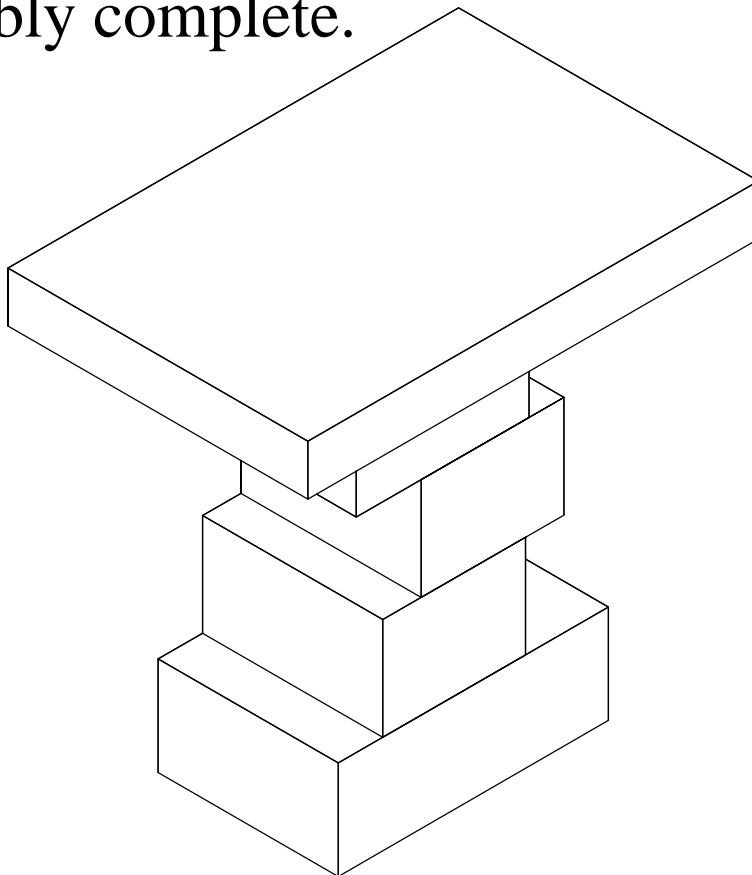
meridian.
furniture

499-ET END TABLE

2



Assembly complete.



NOTE: For questions about parts or assembly please email
support@meridianfurnitureusa.com or call us at 718-758-4455.
www.MeridianFurnitureUSA.com | support@meridianfurnitureusa.com