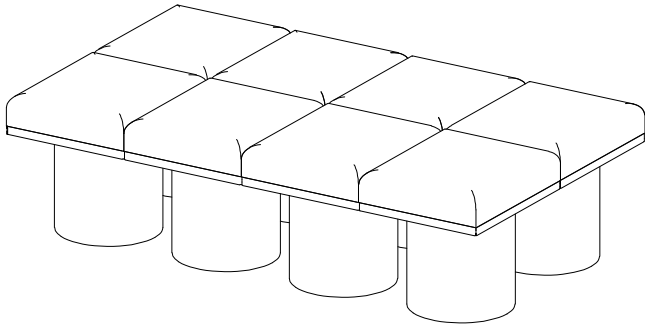


# ASSEMBLY INSTRUCTIONS

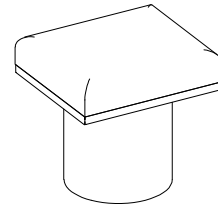
meridian.  
furniture

465/466/467- Bench/Stool



## +Parts Included

① Bench (8 pcs)



## +Do Not Use Power Tools



## +Suggested Adults



**NOTE:** For questions about parts or assembly please email [support@meridianfurnitureusa.com](mailto:support@meridianfurnitureusa.com) or call us at 718-758-4455.

- 1 Read instructions cover to cover.
- 2 Save all packaging until assembly is completed.

## 1 IMPORTANT SAFETY INFORMATION

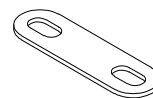
- Do not** assemble the product if the parts arrived damaged.
- Do not** assemble if Hardware parts are missing.

## 2 IMPORTANT ASSEMBLY INFORMATION

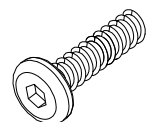
Assembly Step If loosening persists, please make sure to tighten all the bolts periodically, or use a thread locker adhesive.

## +Parts Included

A. Bracket Metal  
2x20x65mm (20 pcs)



B. Bolt  
Ø6x20mm (40 pcs)



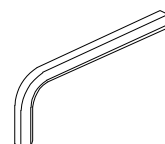
C. Spring Washer  
Ø6xØ12mm (40 pcs)



D. Flat Washer  
Ø6xØ19mm (40 pcs)



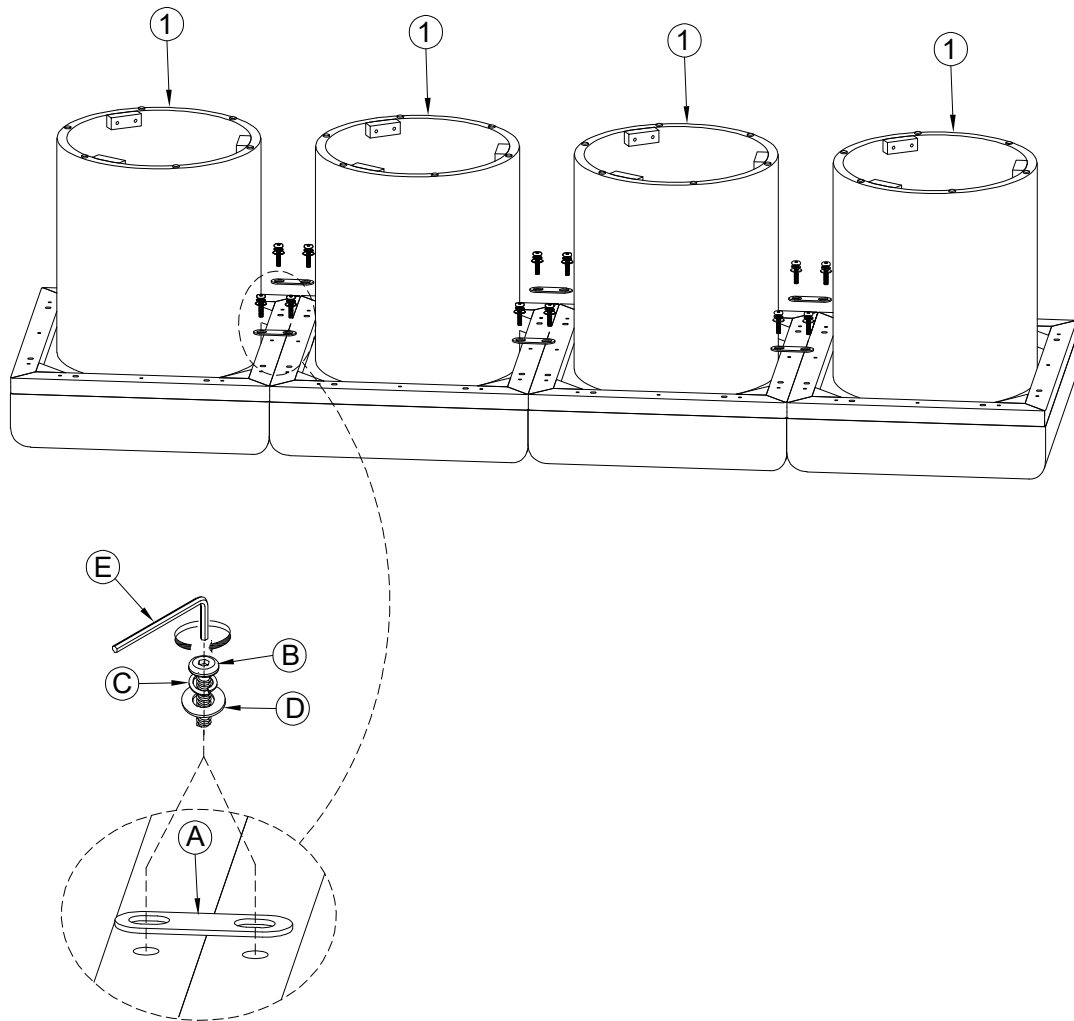
E. Allen Key (1 pc)



# ASSEMBLY INSTRUCTIONS

465/466/467- Bench/Stool

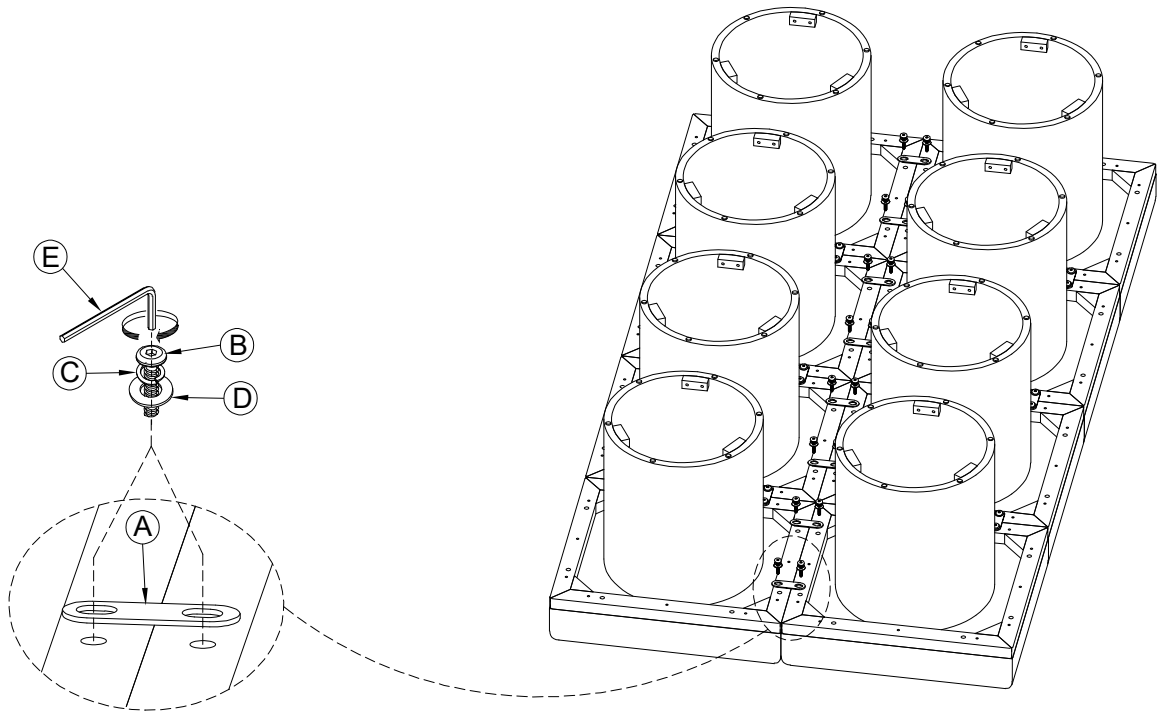
①



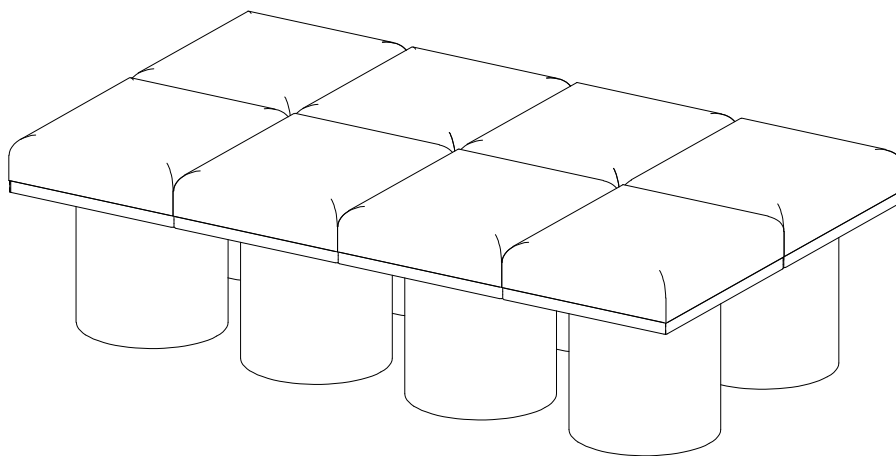
NOTE: For questions about parts or assembly please email [support@meridianfurnitureusa.com](mailto:support@meridianfurnitureusa.com) or call us at 718-758-4455.  
[www.MeridianFurnitureUSA.com](http://www.MeridianFurnitureUSA.com) | [support@meridianfurnitureusa.com](mailto:support@meridianfurnitureusa.com)

## 465/466/467- Bench/Stool

2



3



NOTE: For questions about parts or assembly please email [support@meridianfurnitureusa.com](mailto:support@meridianfurnitureusa.com) or call us at 718-758-4455.  
[www.MeridianFurnitureUSA.com](http://www.MeridianFurnitureUSA.com) | [support@meridianfurnitureusa.com](mailto:support@meridianfurnitureusa.com)