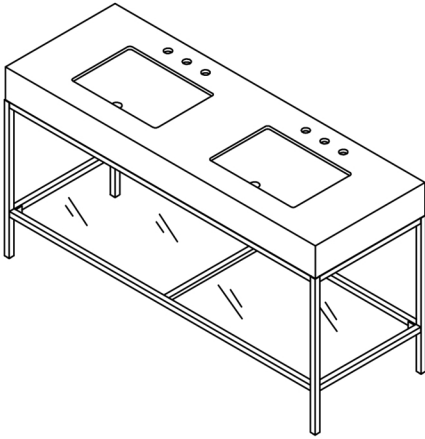


ASSEMBLY INSTRUCTIONS

406/407/408 - 60" Bathroom Vanity

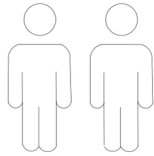
meridian.
furniture



+ Do Not Use Power Tools



+ Suggested Adults



NOTE: For questions about parts or assembly please email support@meridianfurnitureusa.com or call us at 718-758-4455.

- 1 Read instructions cover to cover.
- 2 Save all packaging until assembly is completed.

1 IMPORTANT SAFETY INFORMATION

Do not assemble the product if any of the following parts arrived damaged:

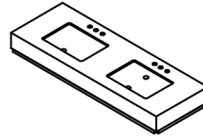
- parts: ① Wash Hand Table Top (1pc)
parts: ② Foot (4pcs)
parts: ③ Bottom Border (1pc)
parts: ④ Glass Shelf (2pcs)

2 IMPORTANT ASSEMBLY INFORMATION:

Do not tighten until all hardware is locked

+ Parts Included

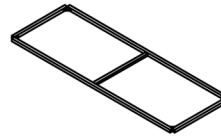
① Wash Hand Table Top (1pc)



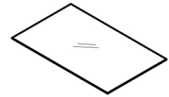
② Foot (4pcs)



③ Bottom Border (1pc)



④ Glass Shelf (2pcs)



+ Hardware Included

A Bolt $\varnothing 1/4" \times 1-1/2"$
(8pcs)



B Spring Washer
(8pcs)



C Bolt $\varnothing 1/4" \times \varnothing 3/4"$
(8pcs)



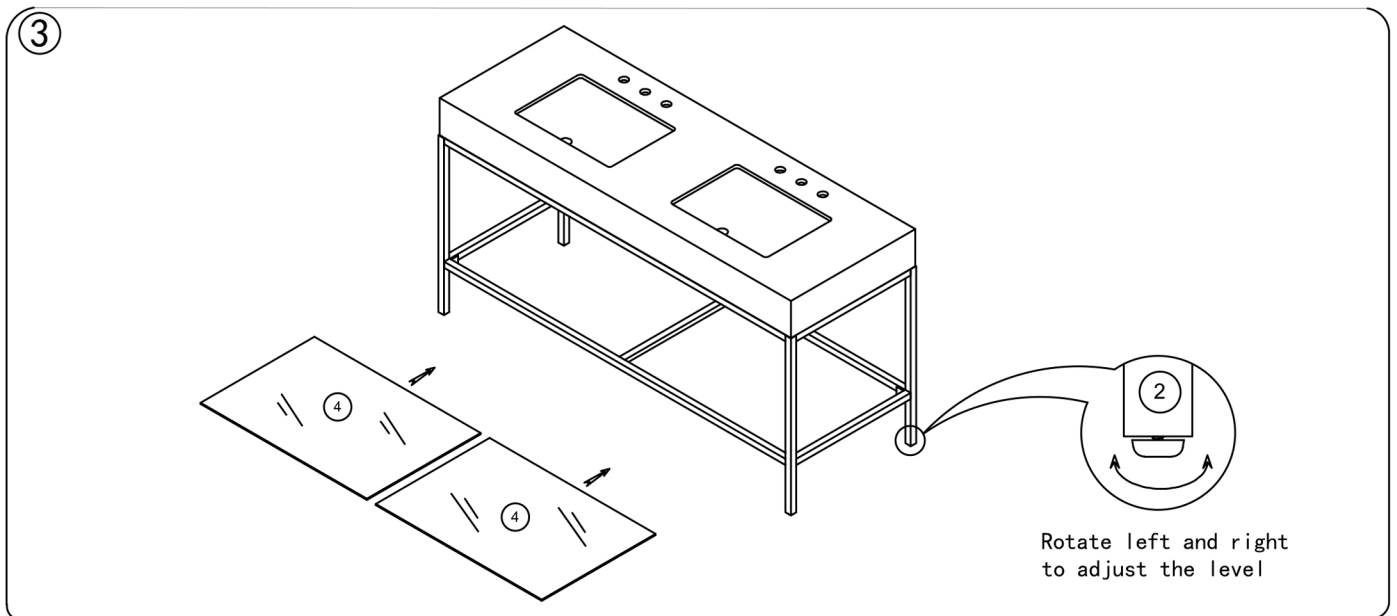
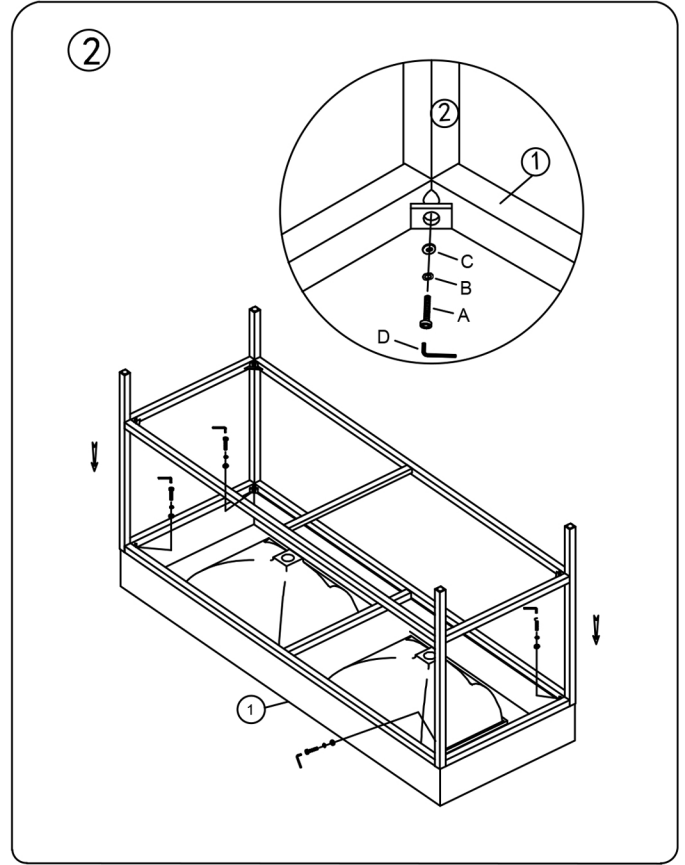
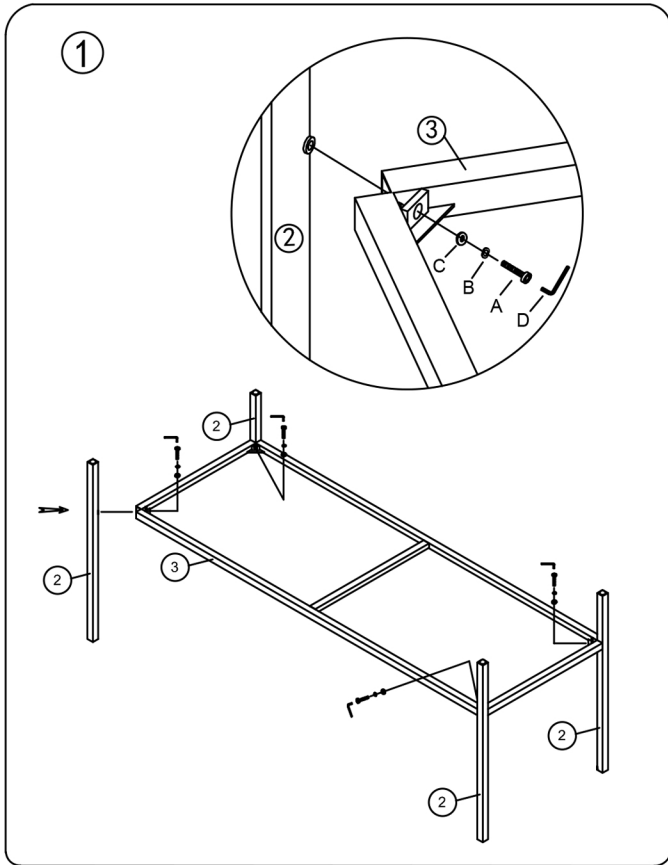
D 1/4" Allen Key
(1pc)



ASSEMBLY INSTRUCTIONS

406/407/408 - 60" Bathroom Vanity

meridian.
furniture



NOTE: For questions about parts or assembly please email support@meridianfurnitureusa.com or call us at 718-758-4455.

www.MeridianFurnitureUSA.com | support@meridianfurnitureusa.com