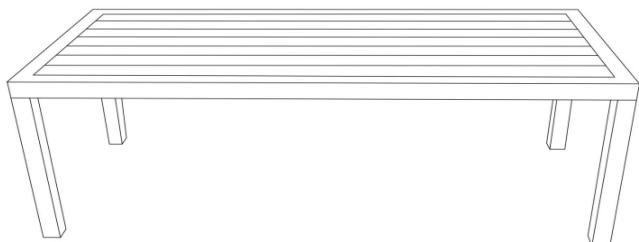


# ASSEMBLY INSTRUCTIONS

370-C/371-C/372-C Coffee Table

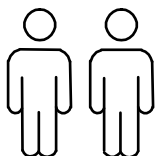
meridian.  
furniture



## + Do Not Use Power Tools



## + Suggested Adults

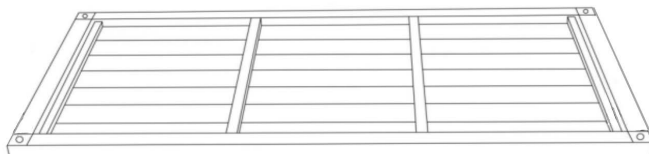


**NOTE:** For questions about parts or assembly please email [support@meridianfurnitureusa.com](mailto:support@meridianfurnitureusa.com) or call us at 718-758-4455.

- 1 Read instructions cover to cover.
- 2 Save all packaging until assembly is completed.

## + Parts Included

### ① Table top (1pcs)



### ② Leg (4pcs)



## 1 IMPORTANT SAFETY INFORMATION

**Do not** assemble the product if any of the following parts arrived damaged :

**Part # ①**- Table top

**Part # ②**- Leg

**Do not** assemble the product if any of the following Hardware parts are missing :

**Part # A** - Allen Key

**Part # D** - Nut

**Part # B** - Washer

**Part # E** - Bolt 37mm

**Part # C** - Socket

**Part # F** - Feet cover

## 2 IMPORTANT ASSEMBLY INFORMATION

**Assembly Step** if loosening persists, please make sure to tighten all the bolts periodically, or use a thread locker adhesive.

## + Hardware Included

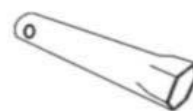
**A** Allen Key  
(1pcs)



**B** Washer  
(8pcs)



**C** Socket  
(1pcs)



**D** Nut  
(4pcs)



**E** Bolt 37mm  
(4pcs)



**F** Feet cover  
(4pcs)



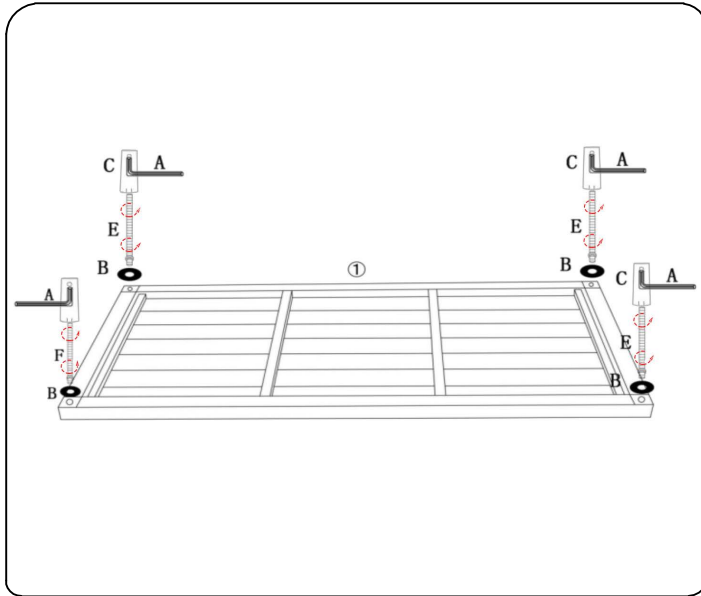
# ASSEMBLY INSTRUCTIONS

## 370-C/371-C/372-C Coffee Table

meridian.  
furniture

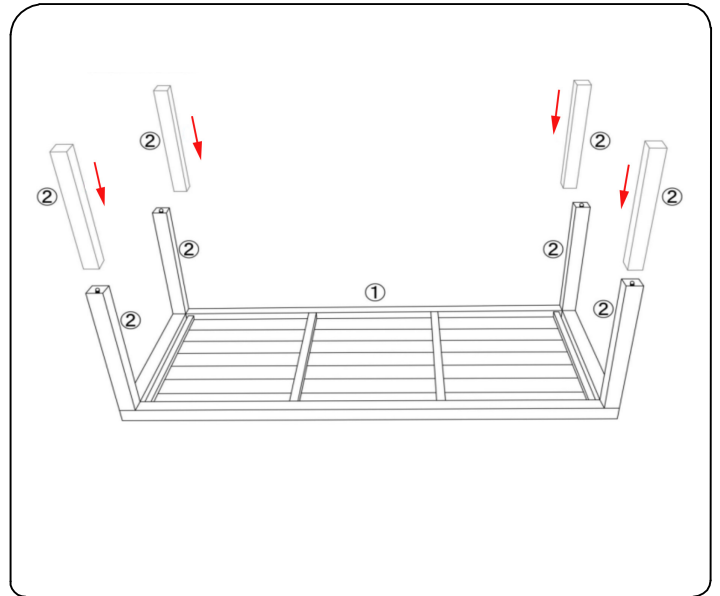
### STEP 1

Please put table top on a carpeted or padded surface. Then insert 4 pieces of bolts into the pre-drilled hole on back of frame. Then tighten bolts.



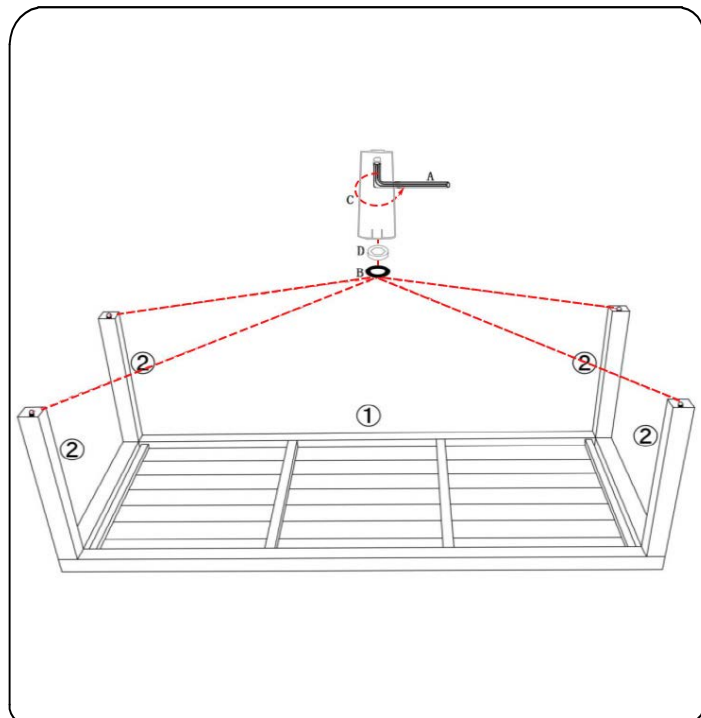
### STEP 2

Insert 4 pieces of Legs (2) on Bolts (E) through the pre-drilled holes on Legs.



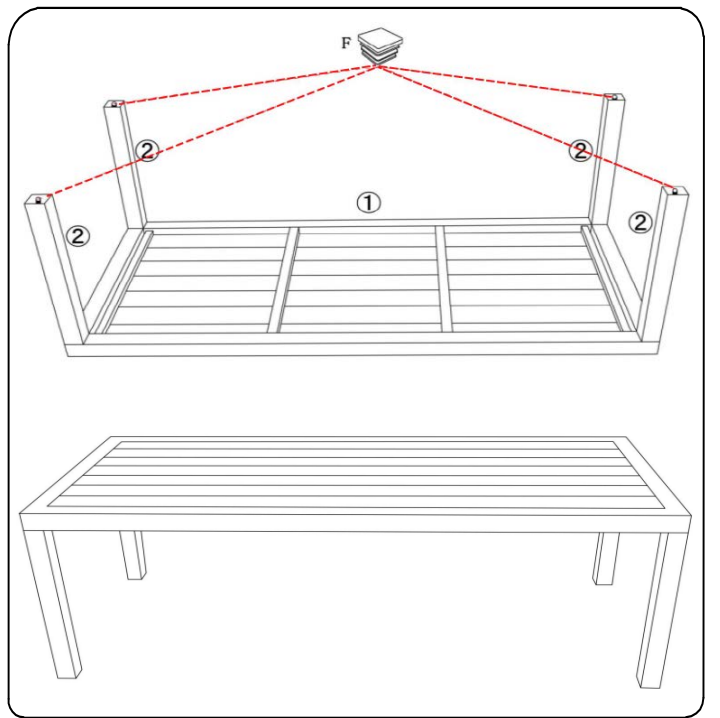
### STEP 3

Insert 4 pieces of Nuts (D) with 4 pieces of Flat Washers (B) into the pre-drilled holes on Legs to the end of assembled Bolts (E). Use Socket (C) and Allen key (A) to tighten Nuts (D) clockwise until secure. Then tightening.



### STEP 4

Insert 4 pieces of Feet cover (F) into the end of pre-drilled holes on Legs as shown. Then turn over the table, then assembly is completed.



**NOTE:** For questions about parts or assembly please email [support@meridianfurnitureusa.com](mailto:support@meridianfurnitureusa.com) or call us at 718-758-4455.

[www.MeridianFurnitureUSA.com](http://www.MeridianFurnitureUSA.com) | [support@meridianfurnitureusa.com](mailto:support@meridianfurnitureusa.com)