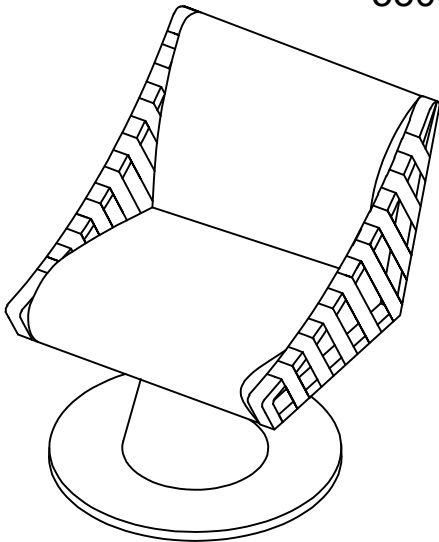


# ASSEMBLY INSTRUCTIONS

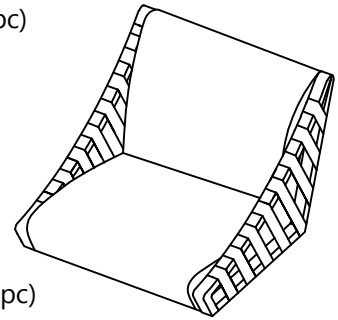
33001/33002/33003

meridian.  
furniture

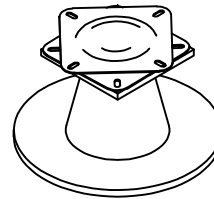


## + Parts Included

① Frame seat (1 pc)



② Leg frame (1 pc)



## + Do Not Use Power Tools



## + Suggested Adults



**NOTE:** For questions about parts or assembly please email [support@meridianfurnitureusa.com](mailto:support@meridianfurnitureusa.com) or call us at 718-758-4455.

- 1 Read instructions cover to cover.
- 2 Save all packaging until assembly is completed.

## 1 IMPORTANT SAFETY INFORMATION

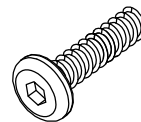
- Do not** assemble the product if the parts arrived damaged.
- Do not** assemble if Hardware parts are missing.

## 2 IMPORTANT ASSEMBLY INFORMATION

Assembly Step If loosening persists, please make sure to tighten all the bolts periodically, or use a thread locker adhesive.

## + Parts Included

A. Bolt  
Ø6x20mm (8 pcs)



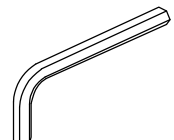
B. Spring Washer  
Ø6xØ12mm (8 pcs)



C. Flat Washer  
Ø6xØ19mm (8 pcs)



D. Allen Key (1 pc)

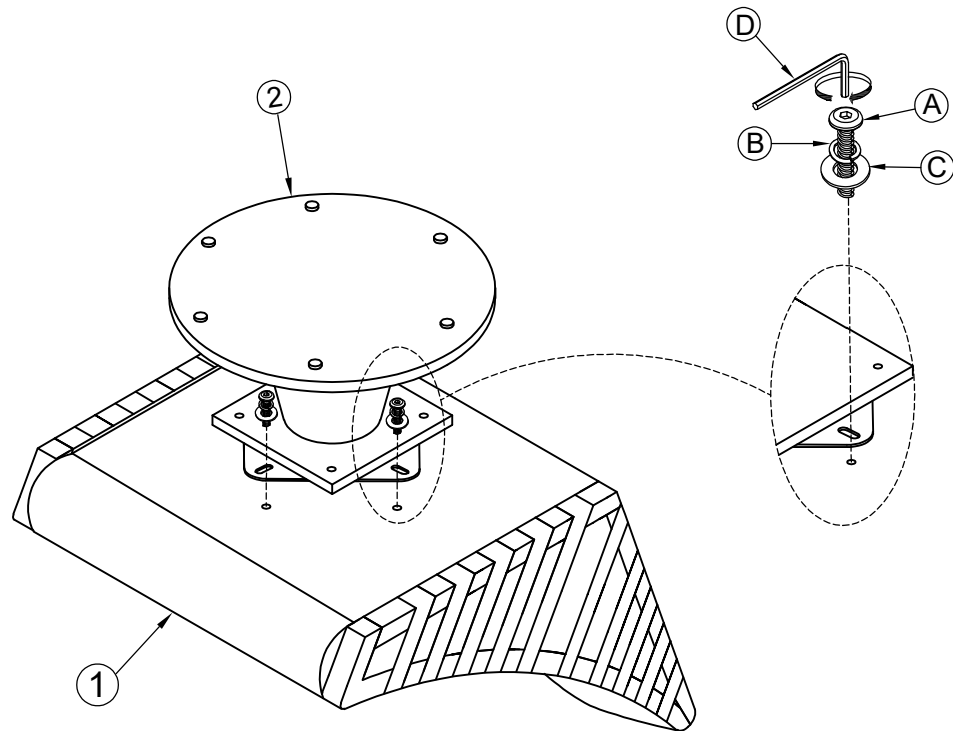


# ASSEMBLY INSTRUCTIONS

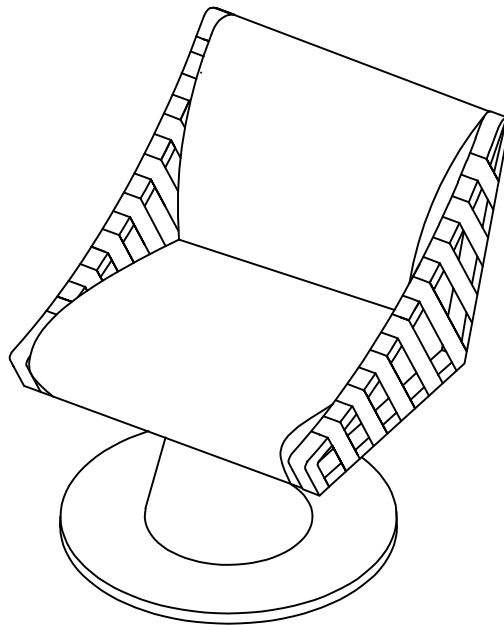
33001/33002/33003

meridian.  
furniture

①



②



NOTE: For questions about parts or assembly please email [support@meridianfurnitureusa.com](mailto:support@meridianfurnitureusa.com) or call us at 718-758-4455.  
[www.MeridianFurnitureUSA.com](http://www.MeridianFurnitureUSA.com) | [support@meridianfurnitureusa.com](mailto:support@meridianfurnitureusa.com)