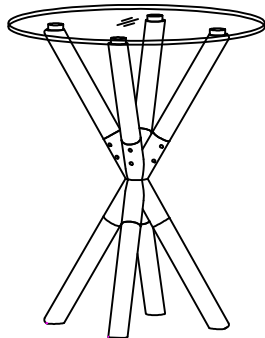


ASSEMBLY INSTRUCTIONS

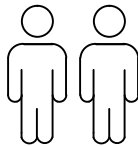
284-E ACRYLIC END TABLE



+ Do Not Use PowerTools



+ Suggested Adults



NOTE: For questions about parts or assembly please email support@meridianfurnitureusa.com or call us at 718-758-4455.

1 Read instructions cover to cover.

2 Save all packaging until assembly is completed.

1 IMPORTANT SAFETY INFORMATION

Do not assemble the product if any of the following parts arrived damaged:

Part # -Table Top

Tempered Glass Warning: Should the tempered glass chip at ANY point throughout ownership, please immediately discontinue use of the table to avoid injury.

CAUTION : DO NOT place hot objects (100°F or more) directly on the glass surface.

2 IMPORTANT ASSEMBLY INFORMATION

Assembly Step Use Bolt A and Bolt B to connect Part 1 to Part 4.

+ Parts Included

① Lower Leg
4PCS



② Upper Leg
4PCS



③ Connecting Rail
1PC



④ Glass Top
1PC



+ Hardware Included

A Bolt(1/4"*5/8")
16 PCS



B Bolt(1/4"*1-1/2")
4 PCS



C Flat Washer(1/4")
20 PCS



D Hex nut(1/4")
4 PCS



E Allen wrench(4mm)
1 PC



F Socketspanner(10#)
1 PC

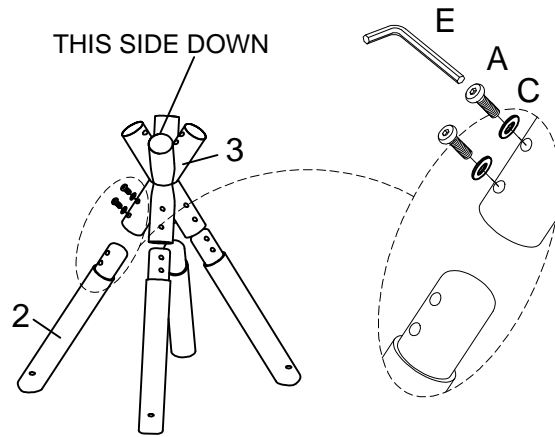


ASSEMBLY INSTRUCTIONS

meridian.
furniture

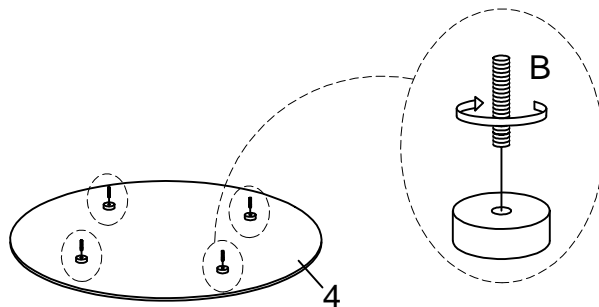
284-E ACRYLIC END TABLE

①



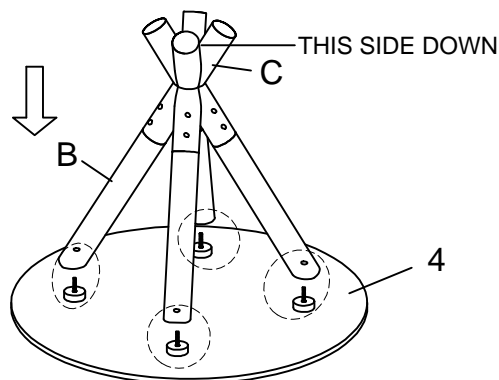
Note: Align the bolts with holes then tighten them at Step 5.

②



Note: At this stage, tighten all Bolts.

③

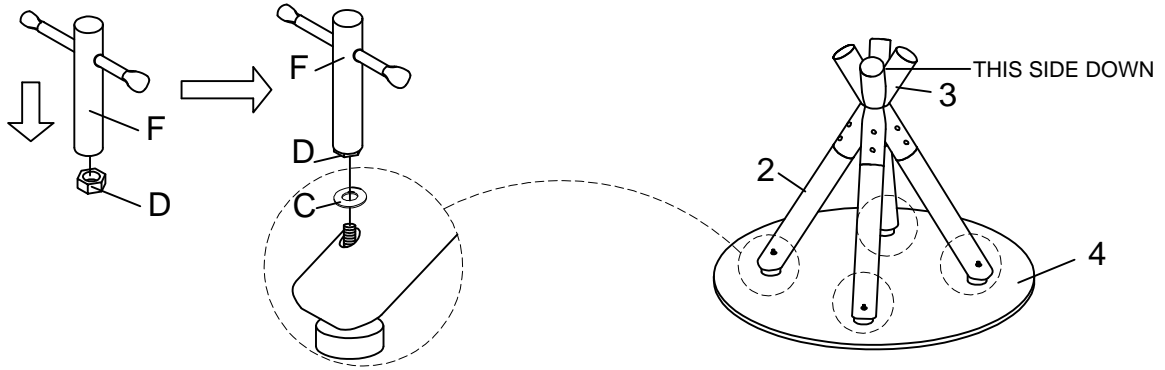


NOTE: For questions about parts or assembly please email
support@meridianfurnitureusa.com or call us at 718-758-4455.
www.MeridianFurnitureUSA.com | support@meridianfurnitureusa.com

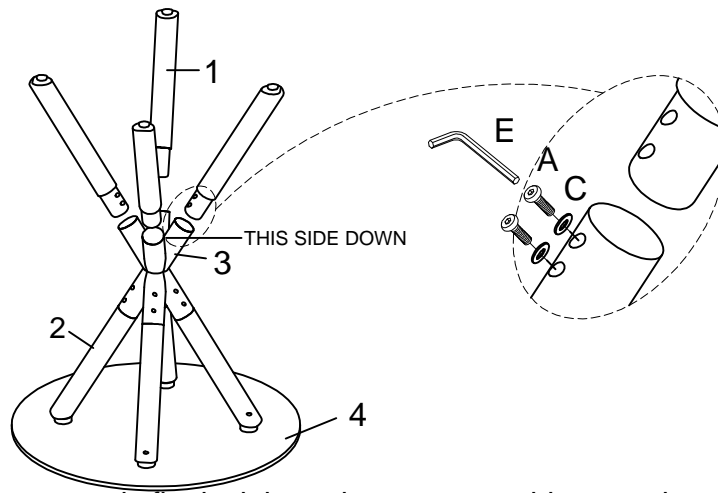
ASSEMBLY INSTRUCTIONS **meridian.** furniture

284-E ACRYLIC END TABLE

④

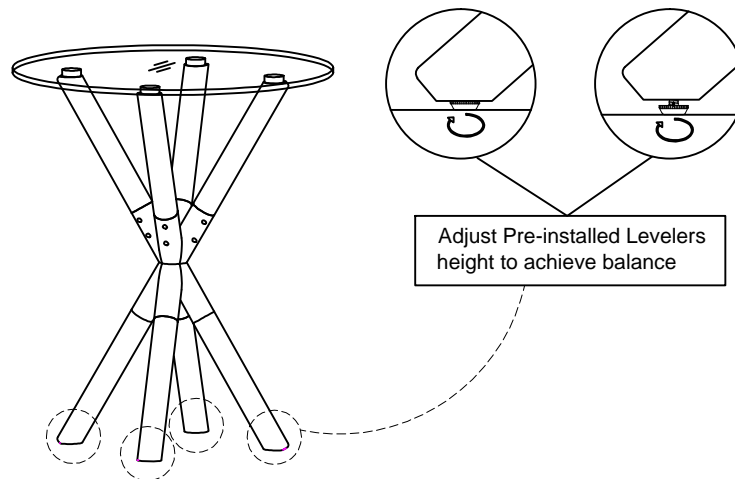


⑤



Note: At this stage, pls firstly tighten the screws at this step, then fully tighten all screws.

⑥



NOTE: For questions about parts or assembly please email
support@meridianfurnitureusa.com or call us at 718-758-4455.
www.MeridianFurnitureUSA.com | support@meridianfurnitureusa.com