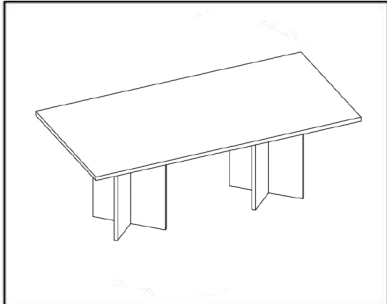


# ASSEMBLY INSTRUCTIONS

**meridian.**  
furniture

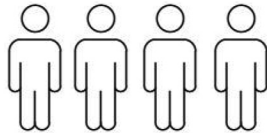
SKU/ITEM # -220-DT60



**+ Do Not Use  
Power Tools**



**+ Suggested  
Adults**



**NOTE:** For questions about parts or assembly please email [support@meridianfurnitureusa.com](mailto:support@meridianfurnitureusa.com) or call us at 718-758-4455.

1. Read instructions cover to cover.
- 2 Save all packaging until assembly is completed.

## 1. IMPORTANT SAFETY INFORMATION

**Do not** assemble the product if any of the following parts arrived damaged :

- Part # 1 - Marble top
- Part # 2 - Marble Base

## 2. IMPORTANT ASSEMBLY INFORMATION

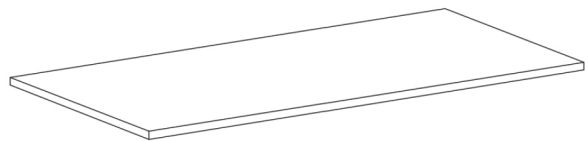
**Assembly step :**

**Step - 1 Use bolt and iron clip- A, B, C,E & F to connect Part 1 and Part 2.**

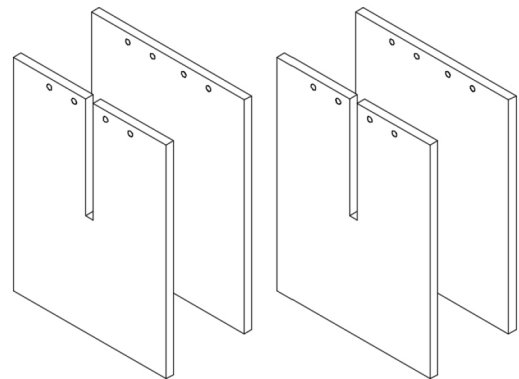
**Warning :** Do not over tighten screws, or it could damage the Table Top.

## +Parts Included

(1) Marble Top - 1 Pc



(2) Marble Base - 4 Pcs



## + Hardware Included

A . Allen Bolts 8x20 (24 Pcs)



B . Allen Screw 8x15 (16 Pcs)



C . Washer 25x8(24 Pcs)



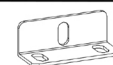
D. Allenkey 5mm (1 Pc)



E. Iron Clip (8 Pc)



F. Iron L Clip (8 Pcs)



G. placement jig mdf(1 Pcs)

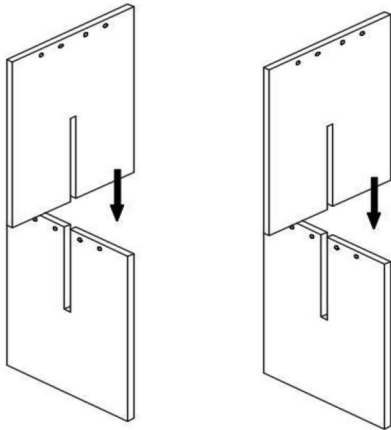


# ASSEMBLY INSTRUCTIONS

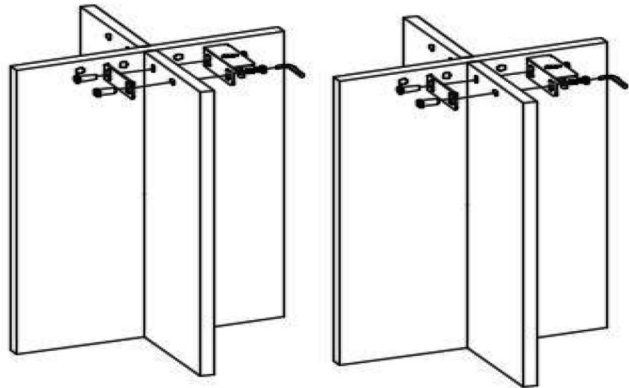
**meridian.**  
furniture

SKU/ITEM # - 220-DT60

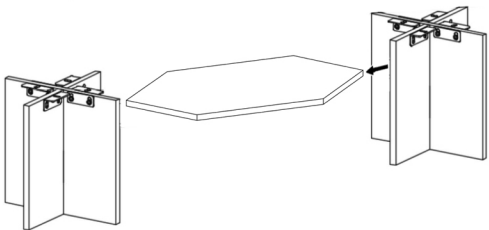
①



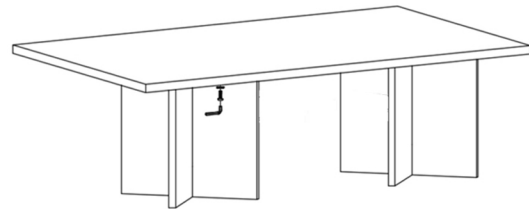
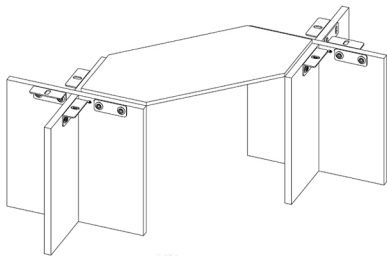
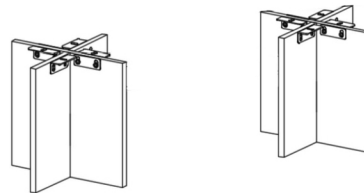
②



③



④ Remove mdf jig after Leg placement



Note : Do not over  
tighten screws

NOTE: For questions about parts or assembly please email  
[support@meridianfurnitureusa.com](mailto:support@meridianfurnitureusa.com) or call us at 718-758-4455.

[www.MeridianFurnitureUSA.com](http://www.MeridianFurnitureUSA.com) | [support@meridianfurnitureusa.com](mailto:support@meridianfurnitureusa.com)