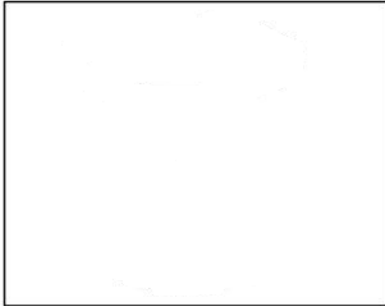


ASSEMBLY INSTRUCTIONS

meridian
furniture

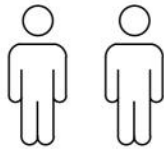
SKU/ITEM # -220-CT



**+ Do Not Use
Power Tools**



**+ Suggested
Adults**



NOTE: For questions about parts or assembly please email support@meridianfurnitureusa.com or call us at 718-758-4455.

1. Read instructions cover to cover.
- 2 Save all packaging until assembly is completed.

1. **IMPORTANT SAFETY INFORMATION**

Do not assemble the product if any of the following parts arrived damaged :

- Part # 1 - Marble top
- Part # 2 - Marble Base

2. **IMPORTANT ASSEMBLY INFORMATION**

Assembly step :

Step - 1 Use bolt and iron clip- A, B, C,E & F to connect Part 1 and Part 2.

'Warning : Do not over tighten screws, or it could damage the Table Top.

+Parts Included

(1) Marble Top - 1 Pc

(2) Marble Base - 4 Pcs

+ Hardware Included

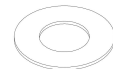
A . Allen Bolts 8x20 (24 Pcs)



B . Allen Screw 8x15 (16 Pcs)



C . Washer 25x8(24 Pcs)



D. Allenkey 5mm (1 Pc)



E. Iron Clip (8 Pc)

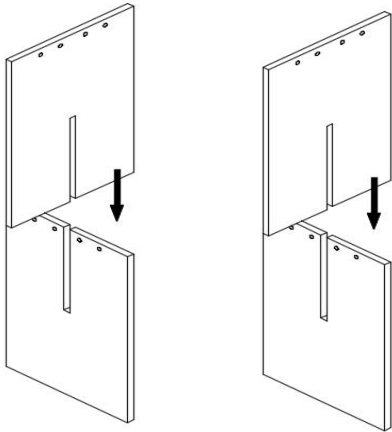
F. Iron L Clip (8 Pcs)

ASSEMBLY INSTRUCTIONS

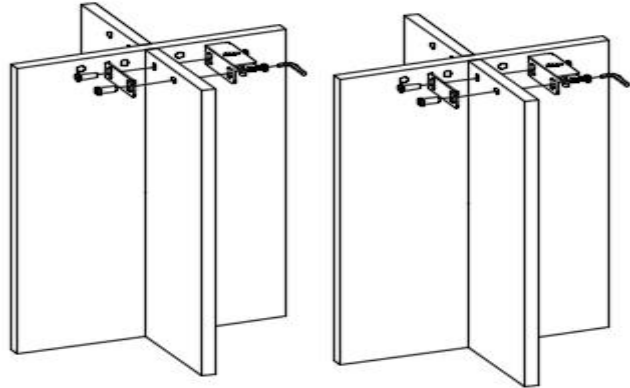
meridian,
furniture

SKU/ITEM # - 220CT

①



②



③

Note : Do not over
tighten screws

NOTE: For questions about parts or assembly please email
support@meridianfurnitureusa.com or call us at 718-758-4455.

www.MeridianFurnitureUSA.com | support@meridianfurnitureusa.com