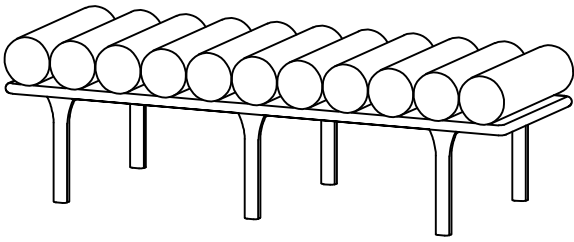


ASSEMBLY INSTRUCTIONS

meridian.
furniture

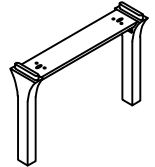
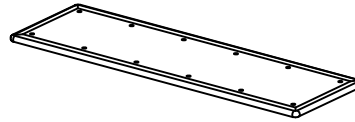
22007/22008/22009 - Bench



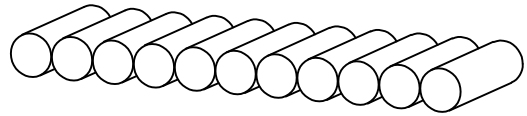
+Parts Included

① Seat frame (1 pc)

② Legs frame (3 pcs)



③ Seat cushion (1 pc)



+Do Not Use Power Tools



+Suggested Adults



NOTE: For questions about parts or assembly please email support@meridianfurnitureusa.com or call us at 718-758-4455.

- 1 Read instructions cover to cover.
- 2 Save all packaging until assembly is completed.

1 IMPORTANT SAFETY INFORMATION

- Do not** assemble the product if the parts arrived damaged.
- Do not** assemble if Hardware parts are missing.

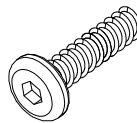
2 IMPORTANT ASSEMBLY INFORMATION

Assembly Step If loosening persists, please make sure to tighten all the bolts periodically, or use a thread locker adhesive.

+Parts Included

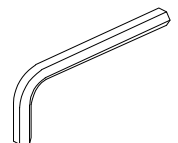
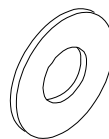
A. Bolt
Ø6x45mm (12 pcs)

B. Spring Washer
Ø6xØ12mm (12 pcs)



C. Flat Washer
Ø6xØ19mm (12 pcs)

D. Allen Key (1 pc)

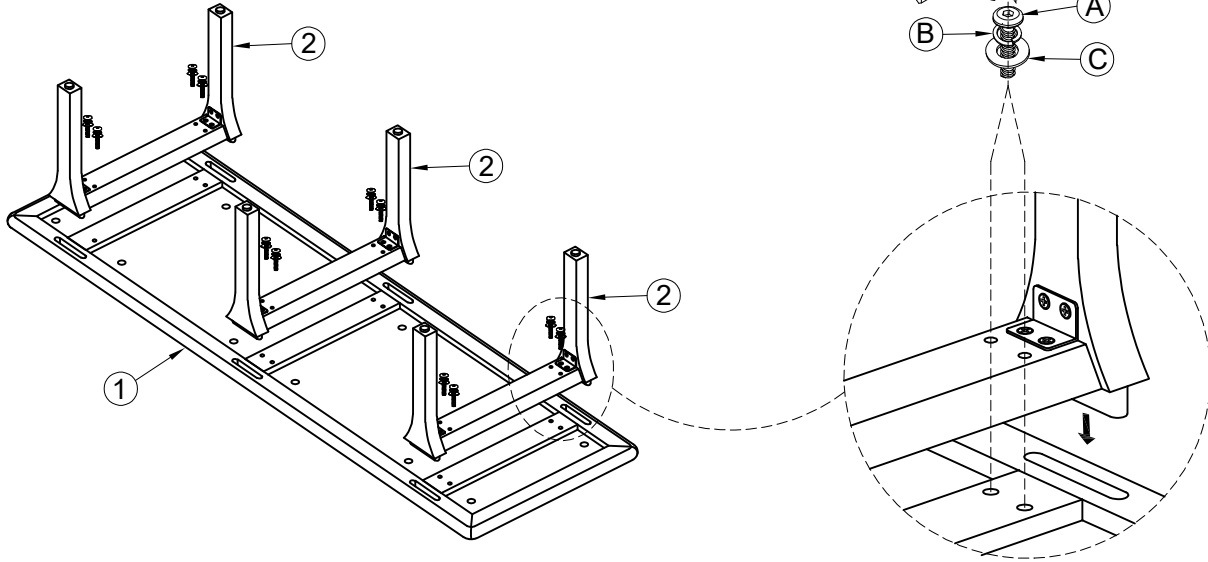


ASSEMBLY INSTRUCTIONS

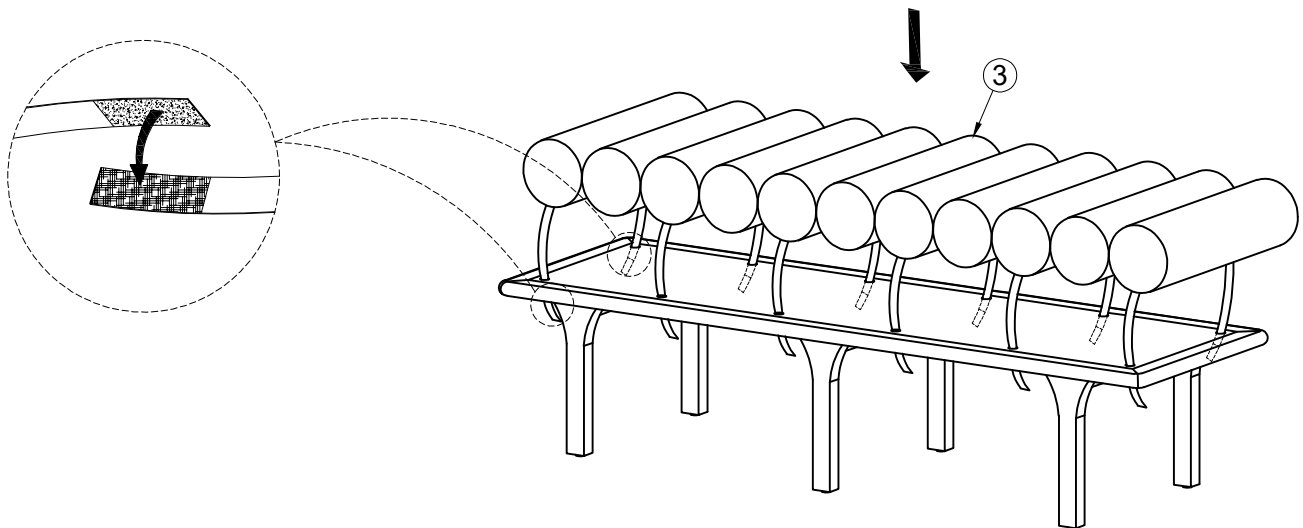
meridian.
furniture

22007/22008/22009 - Bench

①



②

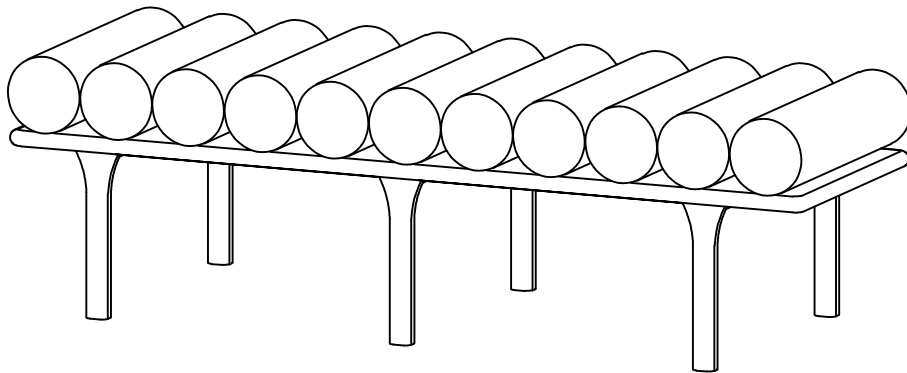


NOTE: For questions about parts or assembly please email support@meridianfurnitureusa.com or call us at 718-758-4455.
www.MeridianFurnitureUSA.com | support@meridianfurnitureusa.com

ASSEMBLY INSTRUCTIONS

22007/22008/22009 - Bench

3



NOTE: For questions about parts or assembly please email
support@meridianfurnitureusa.com or call us at 718-758-4455.
www.MeridianFurnitureUSA.com | support@meridianfurnitureusa.com