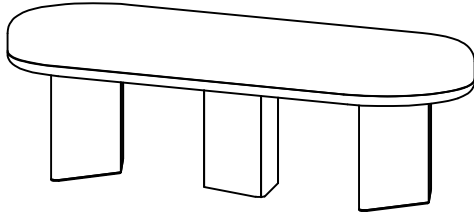


# ASSEMBLY INSTRUCTIONS

meridian.  
furniture

22004/22005/22006 - Bench



## + Do Not Use Power Tools

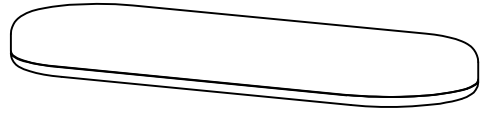


## + Suggested Adults

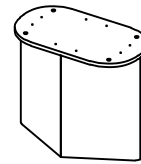


## + Parts Included

- ① Seat frame (1 pc)



- ② Legs (3 pcs)



**NOTE:** For questions about parts or assembly please email [support@meridianfurnitureusa.com](mailto:support@meridianfurnitureusa.com) or call us at 718-758-4455.

- 1 Read instructions cover to cover.
- 2 Save all packaging until assembly is completed.

## 1 IMPORTANT SAFETY INFORMATION

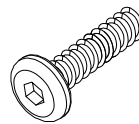
- Do not** assemble the product if the parts arrived damaged.
- Do not** assemble if Hardware parts are missing.

## 2 IMPORTANT ASSEMBLY INFORMATION

Assembly Step If loosening persists, please make sure to tighten all the bolts periodically, or use a thread locker adhesive.

## + Parts Included

- A. Bolt  
Ø8x35mm (12 pcs)



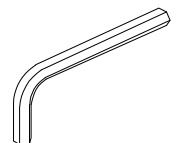
- B. Spring Washer  
Ø8xØ13mm (12 pcs)



- C. Flat Washer  
Ø8xØ19mm (12 pcs)



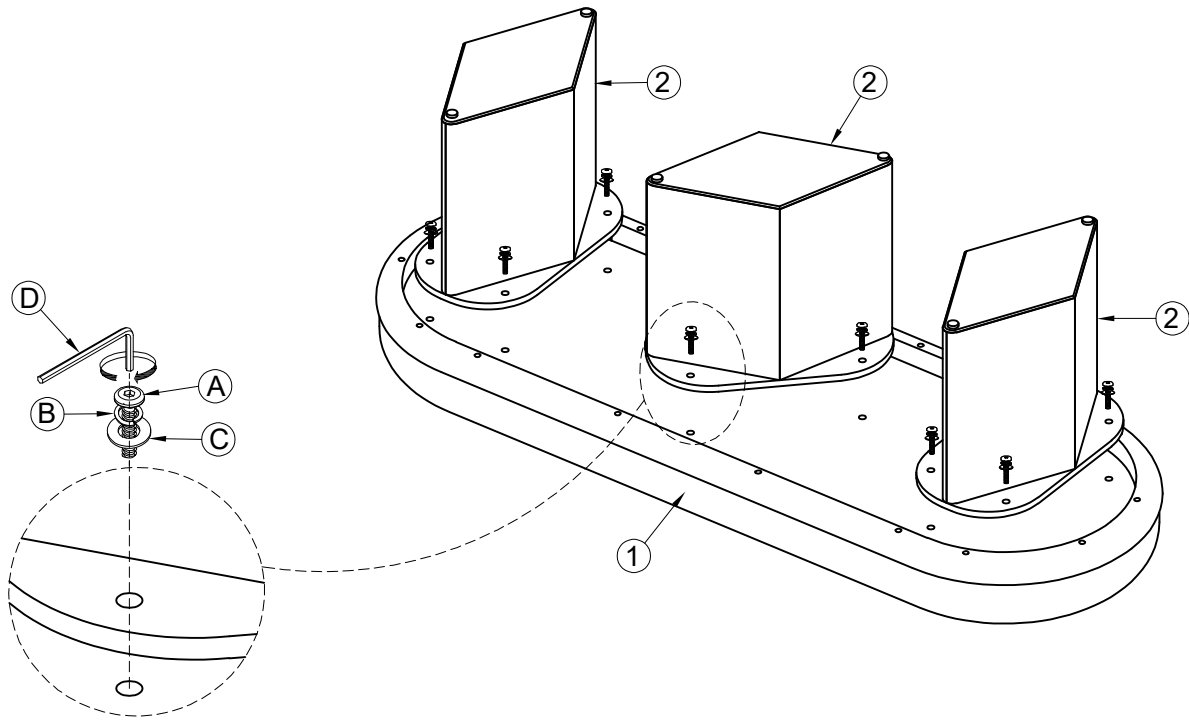
- D. Allen Key (1 pc)



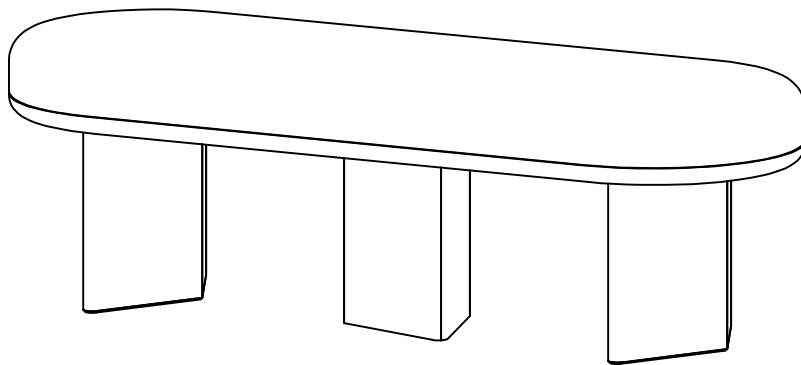
# ASSEMBLY INSTRUCTIONS

22004/22005/22006 - Bench

①



②



NOTE: For questions about parts or assembly please email [support@meridianfurnitureusa.com](mailto:support@meridianfurnitureusa.com) or call us at 718-758-4455.  
[www.MeridianFurnitureUSA.com](http://www.MeridianFurnitureUSA.com) | [support@meridianfurnitureusa.com](mailto:support@meridianfurnitureusa.com)