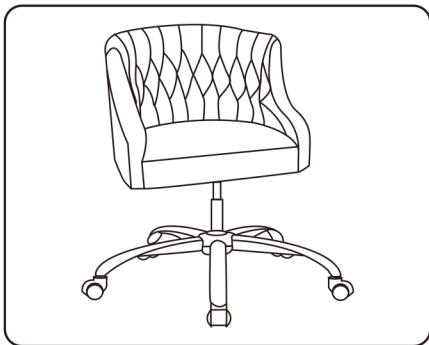


ASSEMBLY INSTRUCTIONS

SKU / ITEM# 161- OFFICE CHAIR

meridian.
furniture

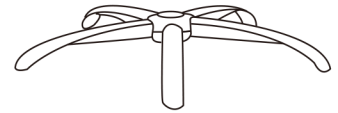


+ Parts Included

① Gas lift
1PC



② Spider base
1PC



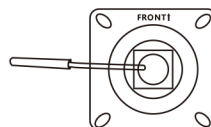
③ Casters
5PCS



④ Seat
1PC



⑤ Handle Lift
1PC



⑥ Metal base cap
1PC



+ Do Not Use Power Tools



+ Suggested Adults



NOTE: For questions about parts or assembly please email support@meridianfurnitureusa.com or call us at 718-758-4455.

- 1 Read instructions cover to cover.
- 2 Save all packaging until assembly is completed.

1 IMPORTANT SAFETY INFORMATION

Do not assemble the product if any of the following parts arrived damaged:

Part ① -Gas lift	Part ④ -Seat
Part ② -Spider base	Part ⑤ -Handle Lift
Part ③ -Casters	Part ⑥ -Metal base cap

Do not assemble if any of the following Hardware parts are missing:

Part A -Bolt
Part B -Wrench

2 IMPORTANT ASSEMBLY INFORMATION

Assembly Step If loosening persists, please make sure to tighten all the bolts periodically, or use a thread locker adhesive.

+ Hardware Included

A BOLT
4PCS



B Wrench
1PC

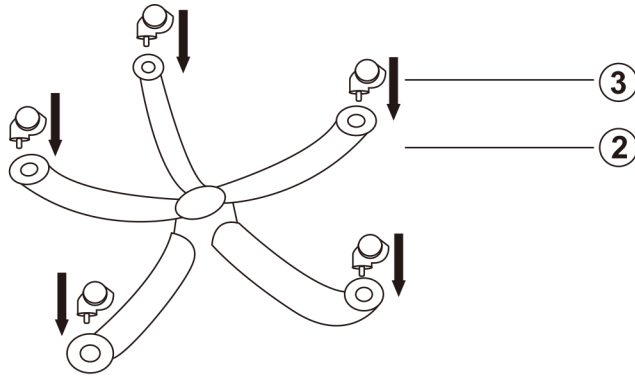


ASSEMBLY INSTRUCTIONS

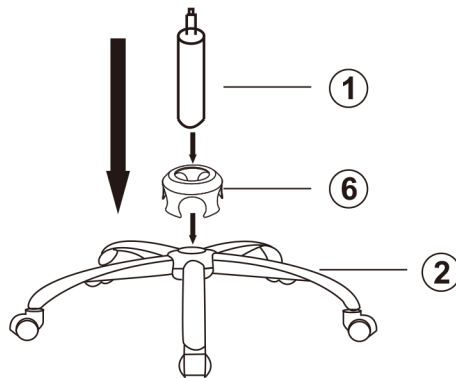
SKU / ITEM# 161- OFFICE CHAIR

meridian.
furniture

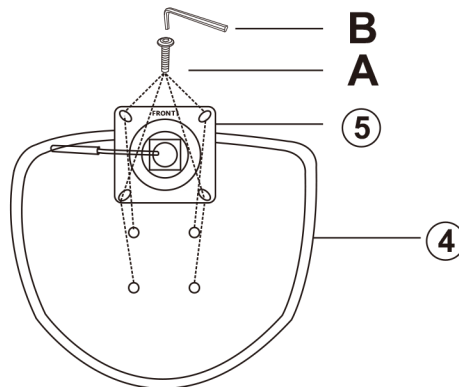
1



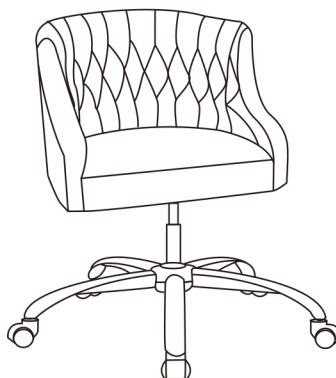
2



3



4



NOTE: For questions about parts or assembly please email support@meridianfurnitureusa.com or call us at 718-758-4455.

www.MeridianFurnitureUSA.com | support@meridianfurnitureusa.com