

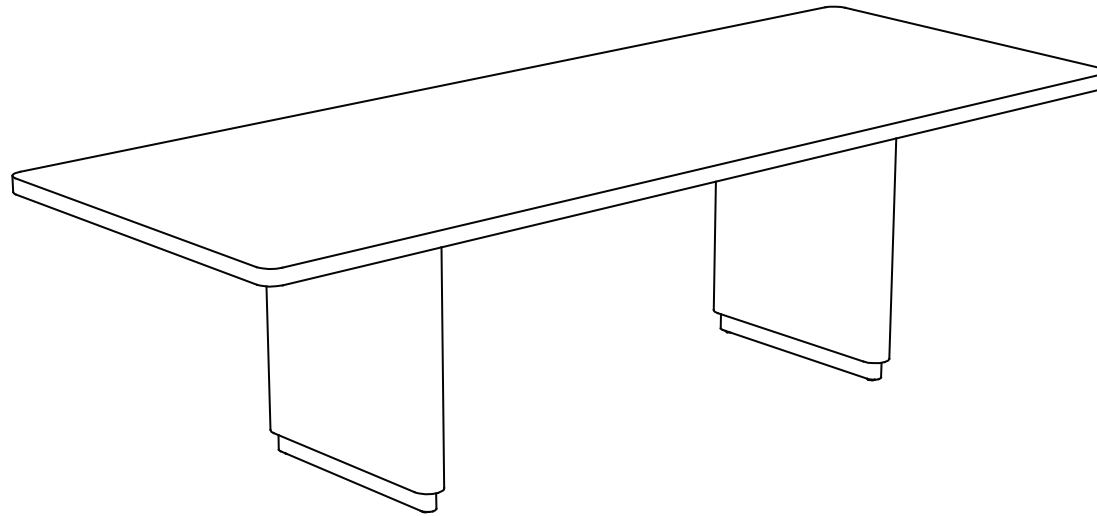
MOE'S

home collection

ASSEMBLY INSTRUCTIONS

ROUND OFF DINING TABLE LARGE OAK

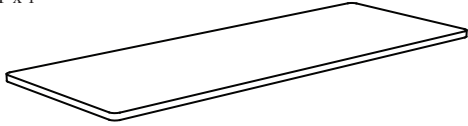
YR-1011-24



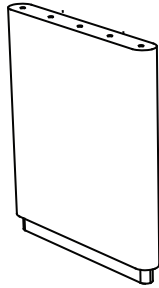
THANK YOU FOR YOUR PURCHASE !

PARTS AND HARDWARE .

1. TOP x 1



2. LEG x 2



A. BOLT (M8x15MM) x 10PCS



B. BOLT (M8x45MM) x 4PCS



C. LOCK WASHER x 4PCS



D. FLATS (M8x50MM) x 4PCS



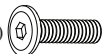
E. ALLEN KEY M4 x 1PCS



F. ALLEN KEY M5 x 1PCS



G. BOLT (M8x15MM) x 10PCS (AVAILABLE)

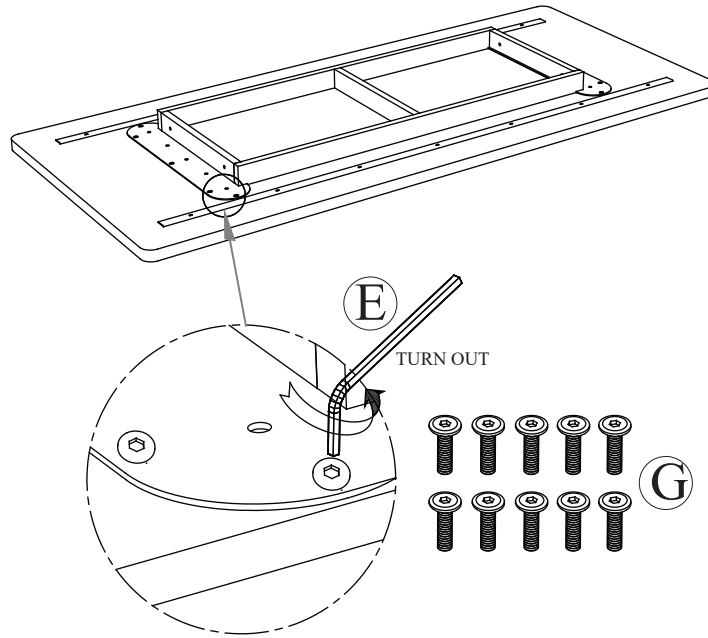


NOTES.

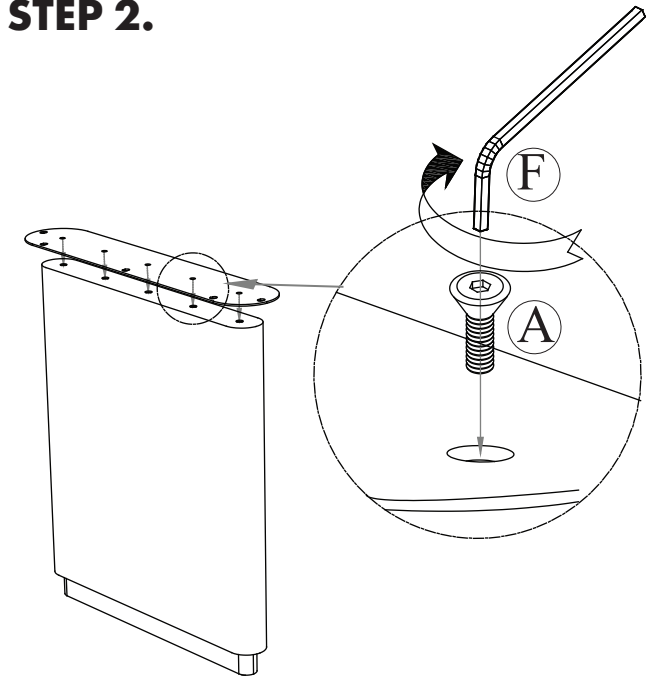
Thank you for purchasing this quality product !
Be sure to check all packing material carefully
for small part that may have come loose inside
the carton during shipping.

CAUTION: The item is heavy, assembly should
be performed by two people.

STEP 1.



STEP 2.



STEP 3.

