

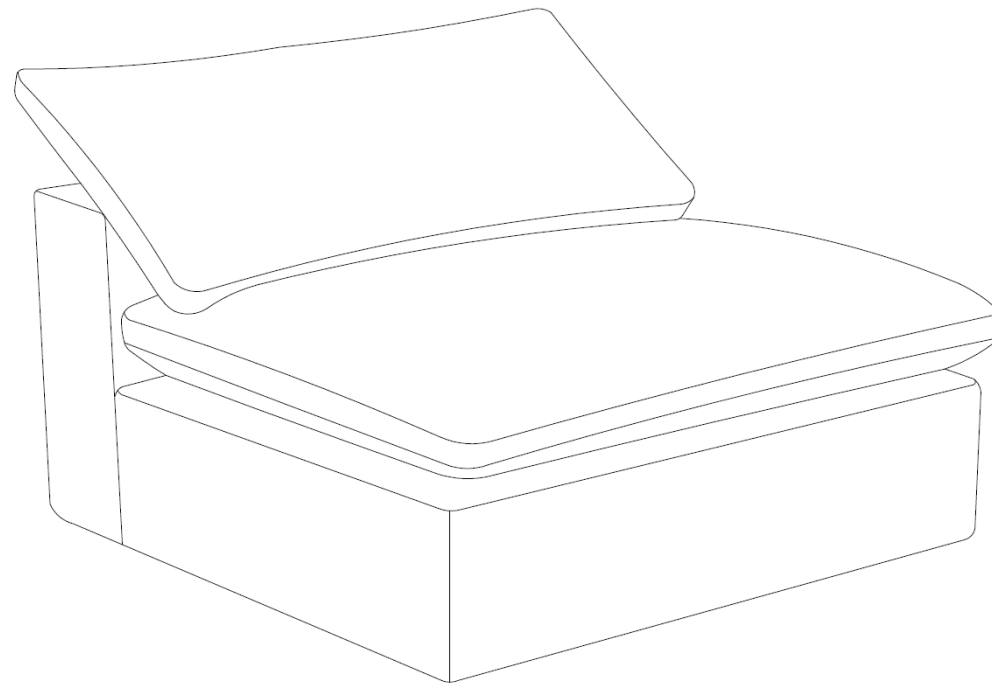
# MOE'S

home collection

## **ASSEMBLY INSTRUCTIONS.**

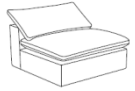


CLAY SLIPPER CHAIR RESIST FABRIC DESERT SAGE

**YJ-1001-16**



THANK YOU FOR YOUR PURCHASE!

## PARTS AND HARDWARE.

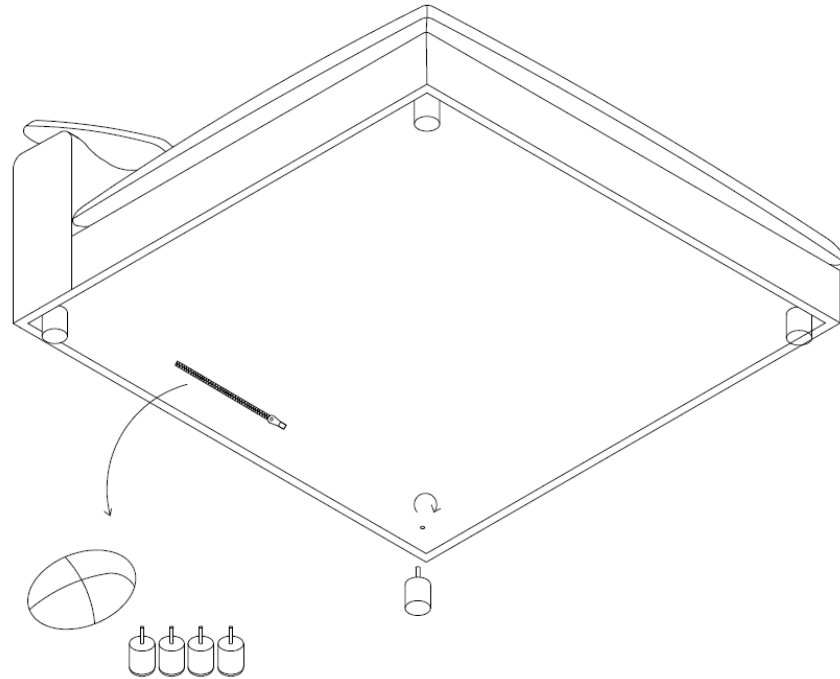
No.	Description	Image	Qty
A	Body		1
B	Wood Legs		4
C	U Clip		2

## NOTES.

Thank you for purchasing this quality product! Be sure to check all packing material carefully for small part that may have come loose inside the carton during shipping.

**CAUTION:** The item is heavy, assembly should be performed by two people.

## STEP 1.



## STEP 2.

